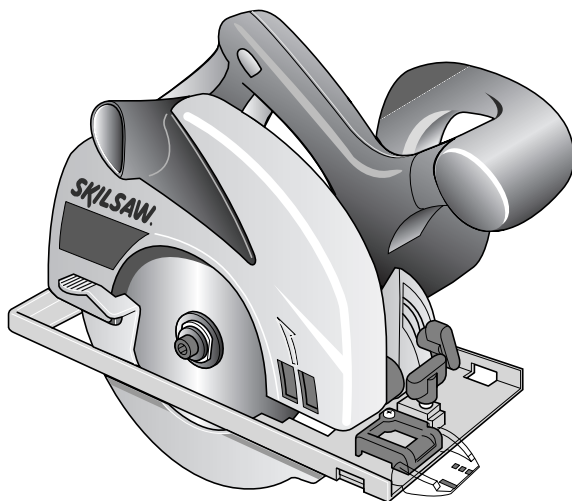


SKIL®

CIRCULAR SAW 5855 (F0155855..)



GB	INSTRUCTIONS	page 8	PL	INSTRUKCJA	strona 65
F	INSTRUCTIONS	page 11	RU	ИНСТРУКЦИИ	страница 69
D	HINWEISE	Seite 15	UA	ІНСТРУКЦІЯ	страница 74
NL	INSTRUCTIES	bladz. 20	GR	ΟΔΗΓΙΕΣ	σελίδα 79
S	INSTRUKTIONER	sida 24	RO	INSTRUCȚIUNI	pagina 84
DK	INSTRUKTION	side 28	BG	УКАЗАНИЕ	страница 88
N	ANVISNING	side 32	SK	POKYNY	strana 93
FIN	OHJEET	sivu 36	HR	UPUTE	stranica 97
E	INSTRUCCIONES	pág. 40	SCG	UPUTSTVA	stranica 101
P	INSTRUÇÕES	pág. 44	SLO	NAVODILA	stran 105
I	ISTRUZIONI	pag. 48	EST	KASUTUSJUHEND	lehekülg 108
H	LEÍRÁS	oldal 52	LV	INSTRUKCIJA	lappuse 112
CZ	POKYNY	strana 57	LT	INSTRUKCIJA	puslapis 117
TR	KILAVUZ	sayfa 61			

www.skileurope.com

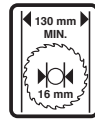
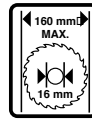
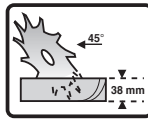
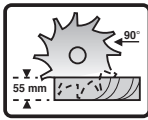


1


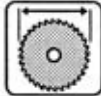
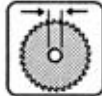
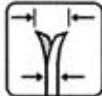
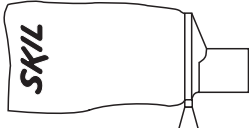
5855

1150 W

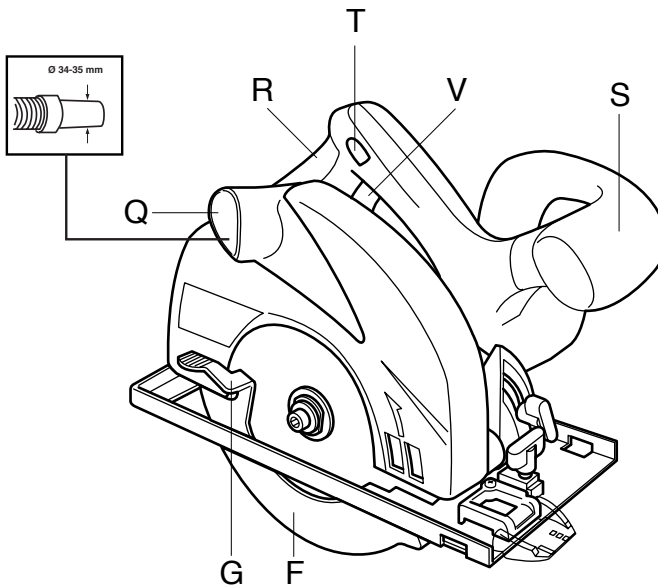
3,5 kg



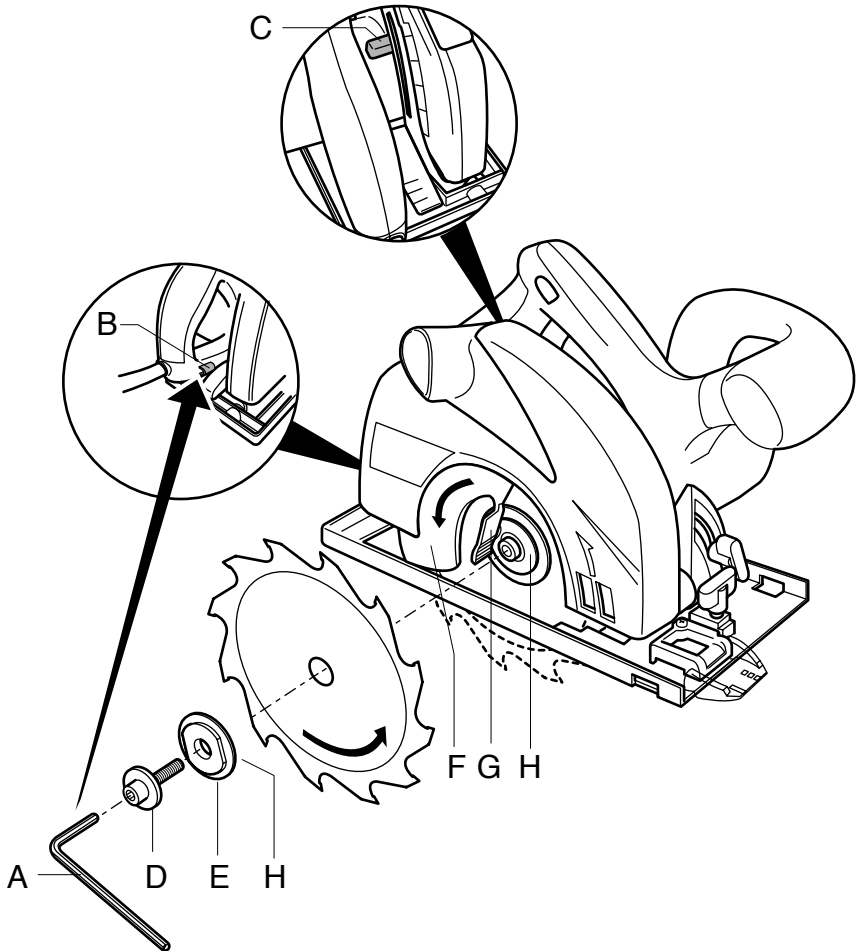
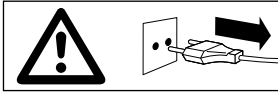
ACCESSORIES

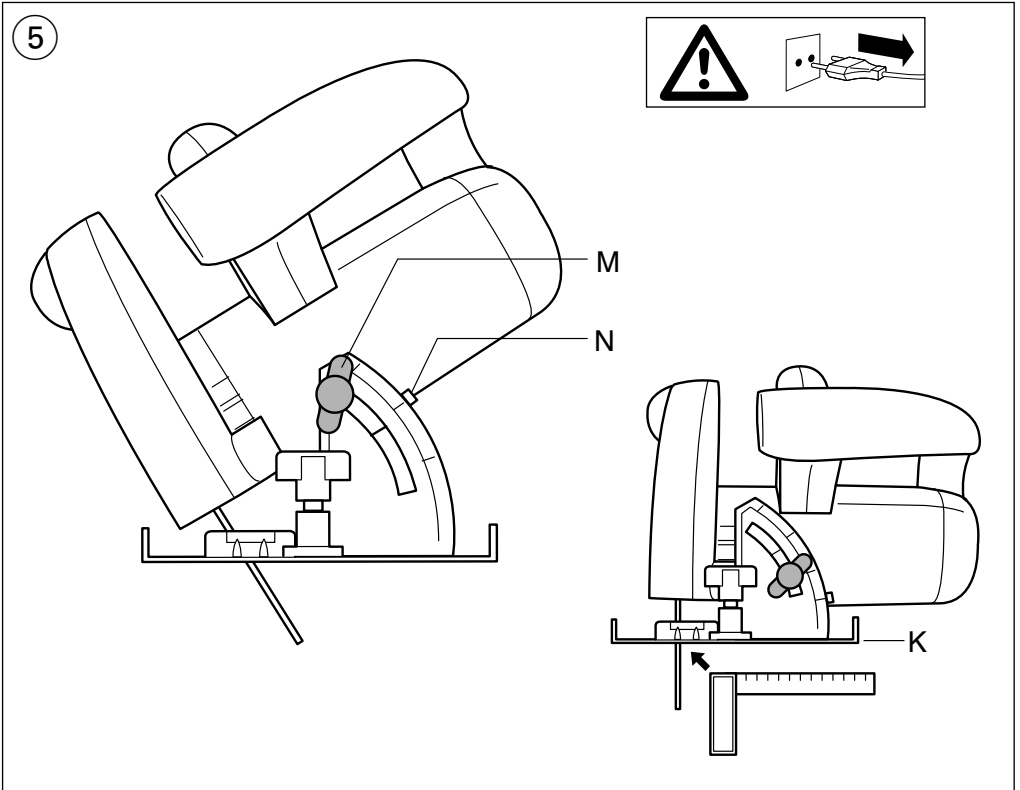
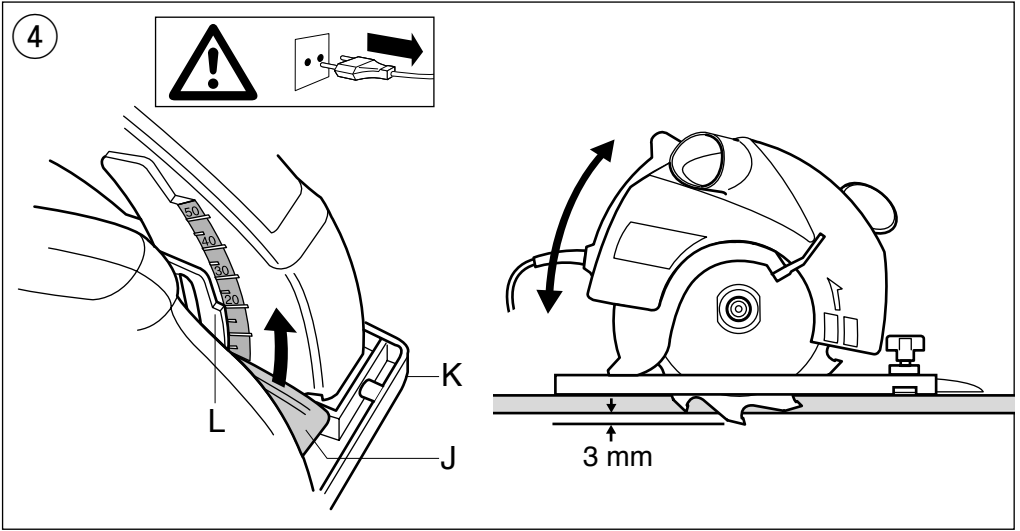
 12x				SKIL Nr.
	160 mm	16 mm	1,5 / 2,4	2610392349
				2610387402

2

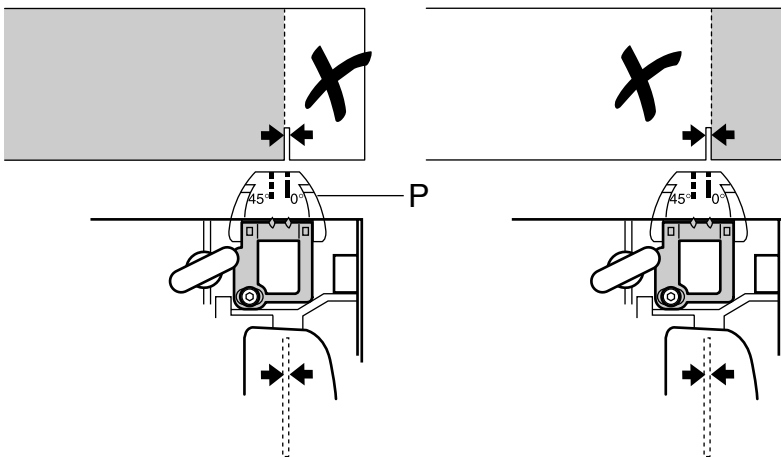


3

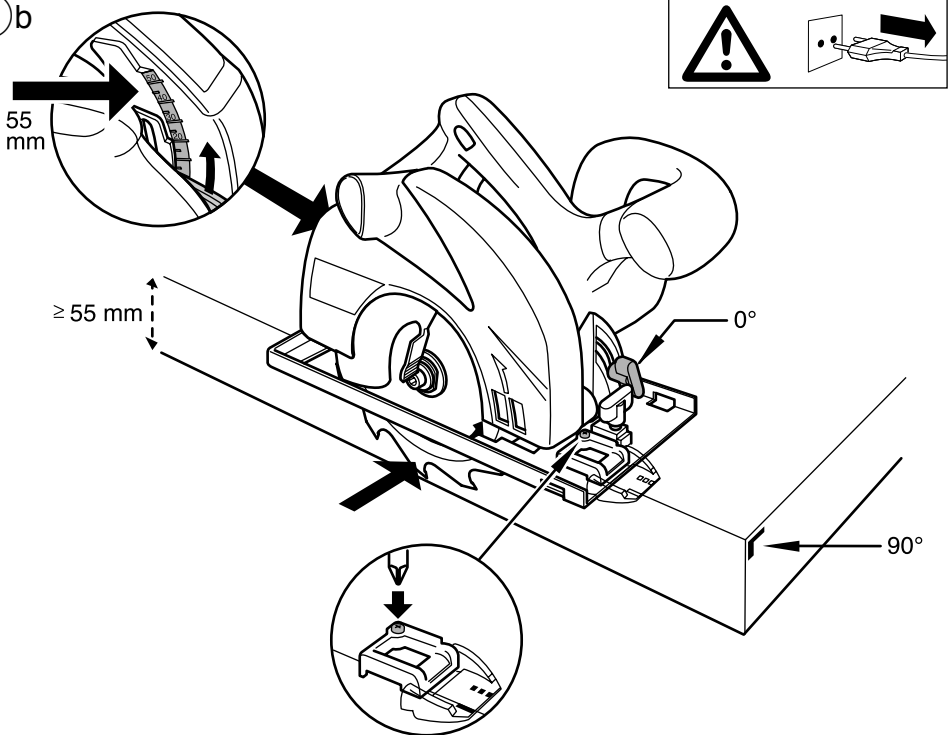




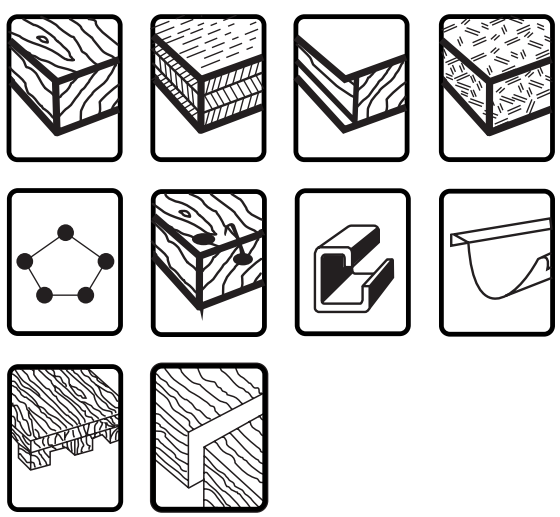
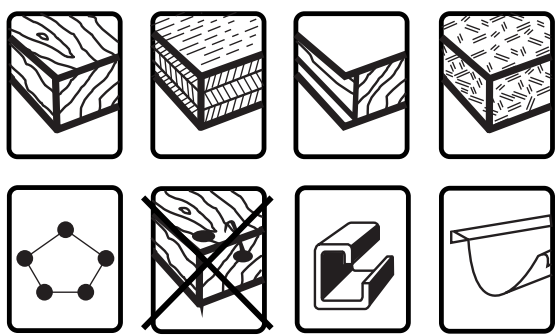
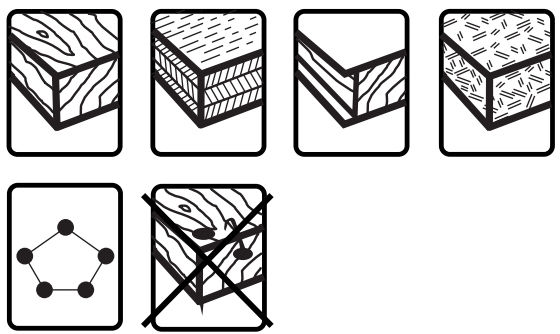
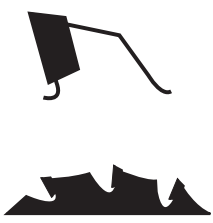
6 a

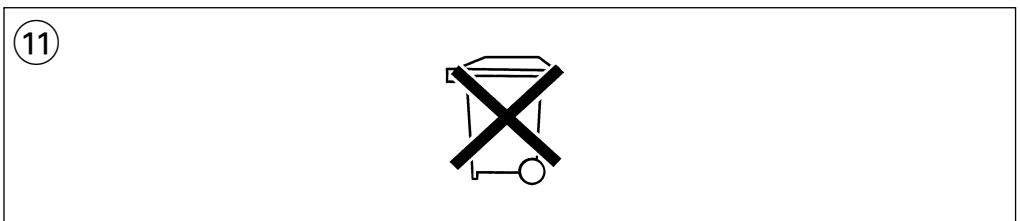
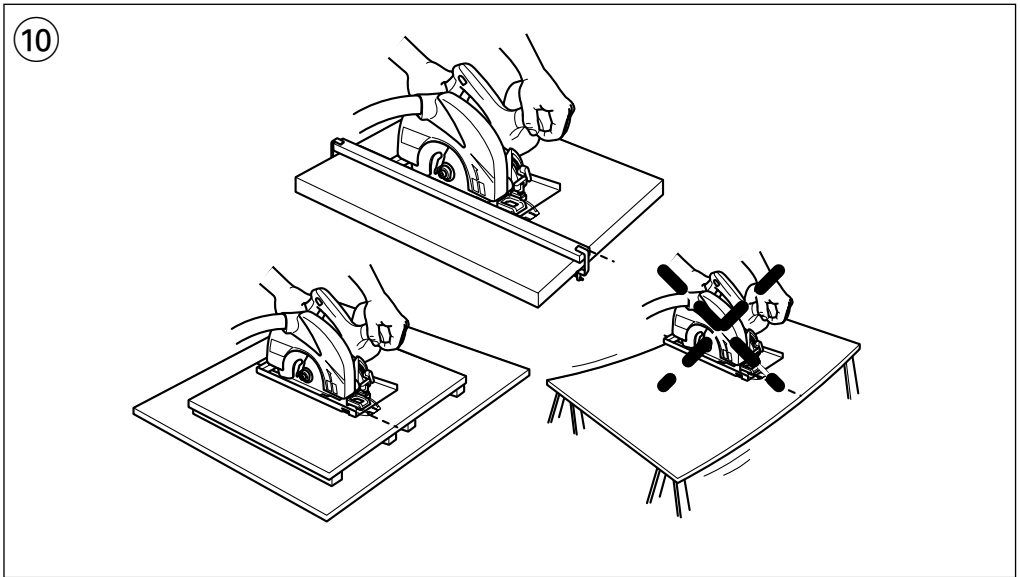
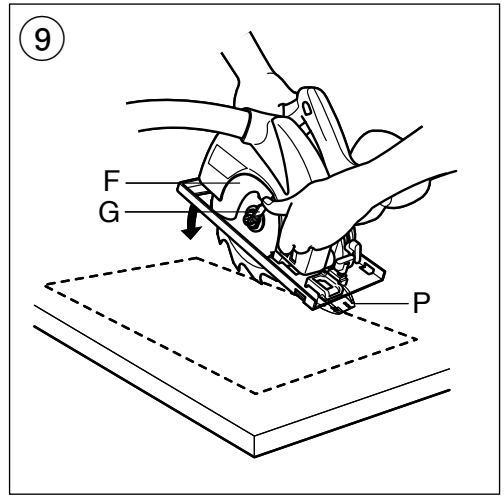
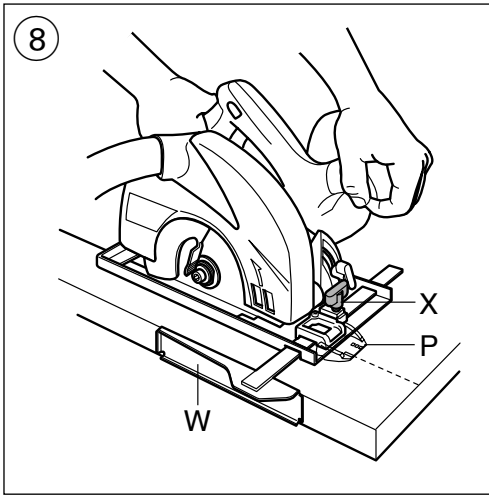


6 b



7





Circular saw

5855

INTRODUCTION

- This tool is intended for lengthways and crossways cutting of wood with straight cuts as well as angle cuts to 45°; with the appropriate saw blades also non-ferrous metals, light building materials and plastics can be cut
- Read and save this instruction manual

TECHNICAL SPECIFICATIONS ①

SAFETY

GENERAL SAFETY INSTRUCTIONS

WARNING! Read all instructions. Failure to follow all instructions listed below may result in electric shock, fire and/or serious injury. The term "power tool" in all of the warnings listed below refers to your mains operated (corded) power tool. **SAVE THESE INSTRUCTIONS.**

1) WORK AREA

- Keep work area clean and well lit.** Cluttered and dark areas invite accidents.
- Do not operate power tools in explosive atmospheres, such as in the presence of flammable liquids, gases or dust.** Power tools create sparks which may ignite the dust or fumes.
- Keep children and bystanders away while operating a power tool.** Distractions can cause you to lose control.

2) ELECTRICAL SAFETY

- Power tool plugs must match the outlet. Never modify the plug in any way. Do not use any adapter plugs with earthed (grounded) power tools.** Unmodified plugs and matching outlets will reduce risk of electric shock.
- Avoid body contact with earthed or grounded surfaces such as pipes, radiators, ranges and refrigerators.** There is an increased risk of electric shock if your body is earthed or grounded.
- Do not expose power tools to rain or wet conditions.** Water entering a power tool will increase the risk of electric shock.
- Do not abuse the cord. Never use the cord for carrying, pulling or unplugging the power tool. Keep cord away from heat, oil, sharp edges or moving parts.** Damaged or entangled cords increase the risk of electric shock.
- When operating a power tool outdoors, use an extension cord suitable for outdoor use.** Use of a cord suitable for outdoor use reduces the risk of electric shock.

3) PERSONAL SAFETY

- Stay alert, watch what you are doing and use common sense when operating a power tool. Do not use a power tool while you are tired or under the influence of drugs, alcohol or medication.** A moment of inattention while operating power tools may result in serious personal injury.

- Use safety equipment. Always wear eye protection.** Safety equipment such as dust mask, non-skid safety shoes, hard hat, or hearing protection used for appropriate conditions will reduce personal injuries.
 - Avoid accidental starting. Ensure the switch is in the off position before plugging in.** Carrying power tools with your finger on the switch or plugging in power tools that have the switch on invites accidents.
 - Remove any adjusting key or wrench before turning the power tool on.** A wrench or a key left attached to a rotating part of the power tool may result in personal injury.
 - Do not overreach. Keep proper footing and balance at all times.** This enables better control of the power tool in unexpected situations.
 - Dress properly. Do not wear loose clothing or jewellery. Keep your hair, clothing and gloves away from moving parts.** Loose clothes, jewellery or long hair can be caught in moving parts.
 - If devices are provided for the connection of dust extraction and collection facilities, ensure these are connected and properly used.** Use of these devices can reduce dust related hazards.
- 4) POWER TOOL USE AND CARE**
- Do not force the power tool. Use the correct power tool for your application.** The correct power tool will do the job better and safer at the rate for which it was designed.
 - Do not use the power tool if the switch does not turn it on and off.** Any power tool that cannot be controlled with the switch is dangerous and must be repaired.
 - Disconnect the plug from the power source before making any adjustments, changing accessories, or storing power tools.** Such preventive safety measures reduce the risk of starting the power tool accidentally.
 - Store idle power tools out of the reach of children and do not allow persons unfamiliar with the power tool or these instructions to operate the power tool.** Power tools are dangerous in the hands of untrained users.
 - Maintain power tools. Check for misalignment or binding of moving parts, breakage of parts and any other condition that may affect the power tools operation. If damaged, have the power tool repaired before use.** Many accidents are caused by poorly maintained power tools.
 - Keep cutting tools sharp and clean.** Properly maintained cutting tools with sharp cutting edges are less likely to bind and are easier to control.
 - Use the power tool, accessories and tool bits etc., in accordance with these instructions and in the manner intended for the particular type of power tool, taking into account the working conditions and the work to be performed.** Use of the power tool for operations different from those intended could result in a hazardous situation.
- 5) SERVICE**
- Have your power tool serviced by a qualified repair person using only identical replacement parts.** This will ensure that the safety of the power tool is maintained.

SAFETY INSTRUCTIONS FOR CIRCULAR SAWS

DANGER

- **Keep hands away from cutting area and the blade; keep your second hand on front handle** (if both hands are holding the saw, they can not be cut by the blade)
- **Do not reach underneath the workpiece** (the guard cannot protect you from the blade below the workpiece)
- **Adjust the cutting depth to the thickness of the workpiece** (less than a full tooth of the blade teeth should be visible below the workpiece)
- **Never hold piece being cut in your hands or across your leg** (it is important to support the work properly to minimise body exposure, blade binding, or loss of control)
- **Hold tool by insulated gripping surfaces when performing an operation where the cutting tool may contact hidden wiring or its own cord** (contact with a "live" wire will also make exposed metal parts of the tool "live" and shock the operator)
- **When ripping always use a rip fence or straight edge guide** (this improves the accuracy of cut and reduces the chance for blade binding)
- **Always use blades with correct size and shape of arbor holes (diamond or round)** (blades that do not match the mounting hardware of the saw will run eccentrically, causing loss of control)
- **Never use damaged or incorrect blade washers or bolts** (the blade washers and bolt were specially designed for your saw, for optimum performance and safety of operation)

KICKBACK - CAUSES

- Kickback is a sudden reaction to a pinched, bound or misaligned saw blade, causing an uncontrolled saw to lift up and out of the workpiece toward the operator
- When the blade is pinched or bound tightly by the kerf closing down, the blade stalls and the motor reaction drives the unit rapidly back toward the operator
- If the blade becomes twisted or misaligned in the cut, the teeth at the back edge of the blade can dig into the top surface of the wood causing the blade to climb out of the kerf and jump back towards operator

KICKBACK - OPERATOR PREVENTION

Kickback is the result of tool misuse and/or incorrect operating procedures or conditions and can be avoided by taking proper precautions as given below

- **Maintain a firm grip with both hands on the saw and position your arms to resist kickback forces; position your body to either side of the blade, but not in line with the blade** (kickback could cause the saw to jump backwards, but kickback forces can be controlled by the operator, if proper precautions are taken)
- **When blade is binding, or when interrupting a cut for any reason, release the trigger and hold the saw motionless in the material until the blade comes to a complete stop; never attempt to remove the saw from the work or pull the saw backwards while the blade is in motion or kickback may occur** (investigate and take corrective actions to eliminate the cause of blade binding; avoid cutting nails or screws)

- **When restarting a saw in the workpiece, centre the saw blade in the kerf and check that saw teeth are not engaged into the material** (if saw blade is binding, it may walk up or kickback from the workpiece as the saw is restarted)
- **Support large panels to minimise the risk of blade pinching and kickback** (large panels tend to sag under their own weight; supports must be placed under the panel on both sides, near the line of cut and near the edge of the panel)
- **Do not use a dull or damaged blade** (unsharpened or improperly set blades produce narrow kerf causing excessive friction, blade binding and kickback)
- **Blade depth and bevel adjusting locking levers must be tight and secure before making cut** (if blade adjustment shifts while cutting, it may cause binding and kickback)
- **Use extra caution when making a plunge cut into existing walls or other blind areas** (the protruding blade may cut objects that can cause kickback)

WARNING

- **Check lower guard for proper closing before each use**
- **Do not operate the saw if lower guard does not move freely and close instantly**
- **Never clamp or tie the lower guard into the open position**
- If saw is accidentally dropped, lower guard may be bent; raise the lower guard with the retracting handle and make sure it moves freely and does not touch the blade or any other part, in all angles and depths of cut
- **Check the operation of the lower guard spring; if the guard and the spring are not operating properly, they must be serviced before use** (lower guard may operate sluggishly due to damaged parts, gummy deposits, or a build-up of debris)
- **Lower guard should be retracted manually only for special cuts such as plunge cuts and compound cuts; raise lower guard by retracting handle and as soon as blade enters the material, the lower guard must be released** (for all other sawing, the lower guard should operate automatically)
- **Always observe that the lower guard is covering the blade before placing saw down on bench or floor** (an unprotected, coasting blade will cause the saw to walk backwards, cutting whatever is in its path; be aware of the time it takes for the blade to stop after switch is released)
- Avoid damage that can be caused by screws, nails and other elements in your workpiece; remove them before you start cutting
- When you put away the tool, switch off the motor and ensure that all moving parts have come to a complete standstill
- Use completely unrolled and safe extension cords with a capacity of 16 Amps (U.K. 13 Amps)
- In case of jamming or electrical or mechanical malfunction, immediately switch off the tool and disconnect the plug
- SKIL can assure flawless functioning of the tool only when original accessories are used

- Use only accessories with an allowable speed matching at least the highest no-load speed of the tool
 - Never use the tool without the original protection guard system
 - This tool should not be used by people under the age of 16 years
 - The noise level when working can exceed 85 dB(A); wear ear protection
 - If the cord is damaged or cut through while working, do not touch the cord, but immediately disconnect the plug
 - Never use tool when cord is damaged; have it replaced by a qualified person
 - Always check that the supply voltage is the same as the voltage indicated on the nameplate of the tool (tools with a rating of 230V or 240V can also be connected to a 220V supply)
 - This tool is not suitable for wet cutting
 - After switching off your circular saw, never stop the rotation of the saw blade by a lateral force applied against it
 - Never use circular saw blades made of high speed steel (HSS)
 - Never use grinding/cutting discs with this tool
 - Do not cut material containing asbestos
 - Wear a dust protection mask when working with materials which produce dust that is detrimental to health; inform yourself beforehand about the materials to be worked on
 - Do not attempt to cut extremely small workpieces
 - Remove all obstacles on top of as well as underneath the cutting path before you start cutting
 - Do not work overhead with the tool
 - Only use a saw table provided with a switch that prevents restarting of the motor after interruption of voltage
 - Only use a saw table provided with a kerf guide
 - **Always disconnect plug from power source before making any adjustment or changing any accessory**
- WHEN CONNECTING NEW 3-PIN PLUG (U.K. ONLY):
- Do not connect the blue (= neutral) or brown (= live) wire in the cord of this tool to the earth terminal of the plug
 - If for any reason the old plug is cut off the cord of this tool, it must be disposed of safely and not left unattended

USE

- Changing saw blade ③
 - take hex key A from storage B
 - push spindle-lock button C and hold it while you remove blade bolt D with hex key
 - ! **push spindle-lock button C only when tool is at a standstill**
 - release spindle-lock button C
 - remove flange E
 - open lower guard F by using lever G and hold it while you change saw blade with saw teeth and arrow printed on saw blade pointing in same direction as arrow on lower guard
 - release lower guard F
 - mount flange E

- ! **make sure that clamping surfaces H of flanges are perfectly clean and face the blade**
 - push spindle-lock button C and hold it while you tighten blade bolt with hex key 1/8 turn past finger tight (ensures slippage of saw blade when it encounters excessive resistance thus reducing motor overload and saw kickback)
 - release spindle-lock button C
- Adjusting cutting depth (0-55 mm) ④
 - for an optimal quality cut the saw blade should not extend more than 3 mm below the workpiece
 - loosen lever J
 - raise/lower foot K until desired cutting depth is set on scale using indicator L
 - tighten lever J
- Adjusting cutting angle (0-45°) ⑤
 - loosen knob M
 - tilt tool until desired cutting angle is set on scale using indicator N
 - tighten knob M
- ! **when bevel cutting, cutting depth does not correspond with value on cutting depth scale**
- 90° Cutting angle check ⑤
 - adjust and tighten foot K to maximum cutting depth ④
 - adjust and tighten cutting angle to 0°
 - check for 90° angle between the blade and bottom of foot with a square
- Adjustable saw line visor P ⑥a
 - for guiding tool along desired line of cut marked on the workpiece
 - for a straight 0° cut or a 45° bevel cut use the indicator line concerned
- ! **the wide part of the foot should rest on the supported part of the workpiece**
 - can be adjusted to allow you to choose whether waste material is on inner or outer side of blade ⑥b
- ! **cutting width is determined by width of blade teeth and not by width of blade body**
- ! **always make trial cuts first to verify actual line of cut**
- Dust suction
 - connect vacuum cleaner to extension Q ②
 - ! **never let the vacuum cleaner hose interfere with the lower guard or the cutting operation**
 - one may also use a dust bag (SKIL accessory 2610387402)
- Operating the tool ②
 - connect plug with power source
 - always hold handle R firmly with one hand and handle S firmly with the other hand
 - place tool with front end of foot flat on workpiece
 - ! **ensure that the saw teeth are not engaged into the workpiece**
 - switch on tool by first pressing knob T (= safety switch which cannot be locked) and then pulling trigger V
 - ! **the tool should run at full speed before the blade enters into the workpiece**
 - lower guard F opens automatically when saw blade enters the workpiece (open lower guard manually by using lever G only for special cuts such as plunge cuts)

- do not force the tool; apply light and continuous pressure
- after completing the cut switch off tool by releasing trigger V

! ensure that the blade has come to a complete standstill, before you lift the tool from the workpiece

APPLICATION ADVICE

- Always face the good side of the workpiece down to ensure minimum splintering
- Only use sharp saw blades of the correct type ⑦
 - quality of cut improves by the number of teeth
 - carbide tipped blades stay sharp up to 30 times longer than ordinary blades
- Rip fence W ⑧
 - for making exact cuts along a workpiece edge
 - can be inserted in either side of foot
- Adjusting rip fence
 - loosen knob X
 - adjust to desired cutting width by using rip fence scale (use saw line visor P as 0-reference)
 - tighten knob X
- Plunge cutting ⑨
 - set desired cutting depth
 - tilt tool forward with saw line visor P lined up with desired line of cut marked on the workpiece
 - open lower guard F with lever G
 - just before blade enters workpiece, switch on tool and gradually lower back end of tool using front end of foot as hinge-point
 - gradually move tool downward as well as forward
 - as soon as blade enters the material, release lever G
- ! never pull tool backwards**
- Cutting large panels ⑩
 - support panel close to the cut either on floor, table or workbench
- ! set cutting depth so that you cut through panel and not through support**
- in case rip fence does not allow desired width of cut, clamp or nail straight piece of wood to workpiece as a guide, and use the right side of the foot against this guide
- For more tips see www.skileurope.com

GUARANTEE / ENVIRONMENT

- Always keep tool and cord clean (especially the ventilation slots)
 - ! disconnect the plug before cleaning**
- Clean saw blade immediately after use (especially from resin and glue)
- This SKIL product is guaranteed in accordance with statutory/country-specific regulations; damage due to normal wear and tear, overload or improper handling will be excluded from the guarantee
- In case of a complaint, send the tool **undismantled** together with proof of purchase to your dealer or the nearest SKIL service station (addresses as well as the service diagram of the tool are listed on www.skileurope.com)

- **Do not dispose of electric tools, accessories and packaging together with household waste material** (only for EU countries)
 - in observance of European Directive 2002/96/EC on waste of electric and electronic equipment and its implementation in accordance with national law, electric tools that have reached the end of their life must be collected separately and returned to an environmentally compatible recycling facility
 - symbol ⑪ will remind you of this when the need for disposing occurs

F

Scie circulaire

5855

INTRODUCTION

- Cet outil est conçu pour effectuer dans le bois des coupes droites longitudinales et transversales ainsi que des angles d'onglet jusqu'à 45°; muni de lames de scie correspondantes, il est capable de scier des matériaux non-ferreux, des matériaux de construction légers et des matières plastiques
- Lisez et conservez ce manuel d'instruction

SPECIFICATIONS TECHNIQUES ①

SECURITE

INSTRUCTIONS GENERALES DE SECURITE

ATTENTION! Lisez toutes les instructions. Le non-respect des instructions indiquées ci-après peut entraîner un choc électrique, un incendie et/ou de graves blessures sur les personnes. La notion d'«outil électroportatif» mentionnée par la suite se rapporte à des outils électriques raccordés au secteur (avec câble de raccordement).
GARDEZ PRECIEUSEMENT CES INSTRUCTIONS DE SECURITE.

1) PLACE DE TRAVAIL

- Maintenez l'endroit de travail propre et bien éclairé.**
Un lieu de travail en désordre ou mal éclairé augmente le risque d'accidents.
- N'utilisez pas l'appareil dans un environnement présentant des risques d'explosion et où se trouvent des liquides, des gaz ou poussières inflammables.**
Les outils électroportatifs génèrent des étincelles risquant d'enflammer les poussières ou les vapeurs.
- Tenez les enfants et autres personnes éloignés durant l'utilisation de l'outil électroportatif.**
En cas d'inattention vous risquez de perdre le contrôle sur l'appareil.

2) SECURITE RELATIVE AU SYSTEME ELECTRIQUE

- La fiche de secteur de l'outil électroportatif doit être appropriée à la prise de courant. Ne modifiez en aucun cas la fiche. N'utilisez pas de fiches d'adaptateur avec des appareils avec mise à la terre.**
Les fiches non modifiées et les prises de courant appropriées réduisent le risque de choc électrique.

- b) **Évitez le contact physique avec des surfaces mises à la terre tels que tuyaux, radiateurs, fours et réfrigérateurs.** Il y a un risque élevé de choc électrique au cas où votre corps serait relié à la terre.
- c) **N'exposez pas l'outil électroportatif à la pluie ou à l'humidité.** La pénétration d'eau dans un outil électroportatif augmente le risque d'un choc électrique.
- d) **N'utilisez pas le câble à d'autres fins que celles prévues, n'utilisez pas le câble pour porter l'appareil ou pour l'accrocher ou encore pour le débrancher de la prise de courant. Maintenez le câble éloigné des sources de chaleur, des parties grasses, des bords tranchants ou des parties de l'appareil en rotation.** Un câble endommagé ou torsadé augmente le risque d'un choc électrique.
- e) **Au cas où vous utiliseriez l'outil électroportatif à l'extérieur, utilisez une rallonge autorisée homologuée pour les applications extérieures.** L'utilisation d'une rallonge électrique homologuée pour les applications extérieures réduit le risque d'un choc électrique.
- 3) SECURITE DES PERSONNES**
- a) **Restez vigilant, surveillez ce que vous faites. Faites preuve de bon en utilisant l'outil électroportatif. N'utilisez pas l'appareil lorsque vous êtes fatigué ou après avoir consommé de l'alcool, des drogues ou avoir pris des médicaments.** Un moment d'inattention lors de l'utilisation de l'appareil peut entraîner de graves blessures sur les personnes.
- b) **Portez des équipements de protection. Portez toujours des lunettes de protection.** Le fait de porter des équipements de protection personnels tels que masque anti-poussières, chaussures de sécurité antidérapantes, casque de protection ou protection acoustique suivant le travail à effectuer, réduit le risque de blessures.
- c) **Évitez une mise en service par mégarde. Assurez-vous que l'interrupteur est effectivement en position d'arrêt avant de retirer la fiche de la prise de courant.** Le fait de porter l'appareil avec le doigt sur l'interrupteur ou de brancher l'appareil sur la source de courant lorsque l'interrupteur est en position de fonctionnement, peut entraîner des accidents.
- d) **Enlevez tout outil de réglage ou toute clé avant de mettre l'appareil en fonctionnement.** Une clé ou un outil se trouvant sur une partie en rotation peut causer des blessures.
- e) **Ne surestimez pas vos capacités. Veillez à garder toujours une position stable et équilibrée.** Ceci vous permet de mieux contrôler l'appareil dans des situations inattendues.
- f) **Portez des vêtements appropriés. Ne portez pas de vêtements amples ni de bijoux. Maintenez cheveux, vêtements et gants éloignés des parties de l'appareil en rotation.** Des vêtements amples, des bijoux ou des cheveux longs peuvent être happés par des pièces en mouvement.
- g) **Si des dispositifs servant à aspirer ou à recueillir les poussières doivent être utilisés, vérifiez que ceux-ci soient effectivement raccordés et qu'ils sont correctement utilisés.** L'utilisation de tels dispositifs réduit les dangers dus aux poussières.
- 4) UTILISATION ET EMPLOI SOIGNEUX DE L'OUTIL ELECTROPORTATIF**
- a) **Ne surchargez pas l'appareil. Utilisez l'outil électroportatif approprié au travail à effectuer.** Avec l'outil électroportatif approprié, vous travaillerez mieux et avec plus de sécurité à la vitesse pour laquelle il est prévu.
- b) **N'utilisez pas un outil électroportatif dont l'interrupteur est défectueux.** Un outil électroportatif qui ne peut plus être mis en ou hors fonctionnement est dangereux et doit être réparé.
- c) **Retirez la fiche de la prise de courant avant d'effectuer des réglages sur l'appareil, de changer les accessoires, ou de ranger l'appareil.** Cette mesure de précaution empêche une mise en fonctionnement par mégarde.
- d) **Gardez les outils électroportatifs non utilisés hors de portée des enfants. Ne permettez pas l'utilisation de l'appareil à des personnes qui ne se sont pas familiarisées avec celui-ci ou qui n'ont pas lu ces instructions.** Les outils électroportatifs sont dangereux lorsqu'ils sont utilisés par des personnes non initiées.
- e) **Prenez soin des outils électroportatifs. Vérifiez que les parties en mouvement fonctionnent correctement et qu'elles ne soient pas coincées, et contrôlez si des parties sont cassées ou endommagées de telle sorte que le bon fonctionnement de l'appareil s'en trouve entravé. Faites réparer les parties endommagées avant d'utiliser l'appareil.** De nombreux accidents sont dus à des outils électroportatifs mal entretenus.
- f) **Maintenez les outils de coupe aiguisés et propres.** Des outils soigneusement entretenus avec des bords tranchants bien aiguisés se coincent moins souvent et peuvent être guidés plus facilement.
- g) **Utilisez les outils électroportatifs, les accessoires, les outils à monter etc. conformément à ces instructions et aux prescriptions en vigueur pour ce type d'appareil. Tenez compte également des conditions de travail et du travail à effectuer.** L'utilisation des outils électroportatifs à d'autres fins que celles prévues peut entraîner des situations dangereuses.
- 5) SERVICE**
- a) **Ne faites réparer votre outil électroportatif par un personnel qualifié et seulement avec des pièces de rechange d'origine.** Ceci permet d'assurer la sécurité de l'appareil.

INSTRUCTIONS DE SECURITE POUR SCIES CIRCULAIRES

DANGER

- **Tenez les mains éloignées de la zone de coupe et de la lame; placez votre seconde main sur la poignée avant** (si les deux mains tiennent la scie, elles ne pourront pas entrer en contact avec la lame)

- **Ne placez pas la main sous la pièce** (le carter ne protège pas de la lame sous la pièce)
- **Adaptez la profondeur de coupe à l'épaisseur de la pièce à travailler** (il faut que moins d'un dent complet de la denture de lame soit visible au-dessous de la pièce à travailler)
- **Ne tenez jamais la pièce à couper de la main ou en travers de la jambe** (la pièce doit être soutenue correctement pour réduire l'exposition des parties du corps, l'adhésion de la lame ou la perte de contrôle)
- **Tenez l'outil par ses surfaces antidérapantes isolées lorsque vous effectuez une opération où la zone de coupe peut entrer en contact avec des fils cachés ou son propre cordon** (si elles entrent en contact avec un fil sous tension, les parties métalliques exposées de l'outil risquent d'électrocuter l'utilisateur)
- **Lorsque vous sciez, utilisez toujours un guide parallèle** (vous améliorerez la précision de la coupe et réduirez les risques d'adhésion de la lame)
- **Utilisez toujours des lames de taille et forme adéquates aux trous de montage (diamant ou arrondi)** (les lames qui ne correspondent pas à la ferrure de fixation de la scie se déplaceront de façon excentrique, entraînant une perte de contrôle)
- **N'utilisez jamais des rondelles ou des boulons de lame endommagés ou inadéquats** (les rondelles et les boulons de lame sont conçus spécialement pour votre lame, pour une performance et une sécurité d'utilisation optimales)

RETOUR ARRIÈRE - CAUSES

- Le retour arrière est une réaction soudaine à une lame pincée, qui adhère ou mal alignée, faisant se soulever la scie hors de la pièce, vers l'utilisateur
- Lorsque la lame est pincée ou qu'elle adhère étroitement avec la fermeture de la rainure, la lame se bloque et la réaction du moteur pousse rapidement l'appareil vers l'arrière, c'est-à-dire vers l'utilisateur
- Si la lame se tord ou s'aligne mal dans la rainure, les dents du bord arrière de la lame peuvent s'enfoncer dans la surface supérieure du bois, faisant sortir la lame de la coupe et la faisant sauter vers l'utilisateur

RETOUR ARRIÈRE - PRÉVENTION

Le retour arrière est dû à une mauvaise utilisation de l'outil et/ou à des procédures ou conditions d'utilisation incorrectes, qui peuvent être évitées en prenant les précautions indiquées ci-dessous

- **Tenez fermement la scie des deux mains et placez vos bras de façon à pouvoir résister aux forces de recul arrière; placez votre corps d'un côté ou de l'autre de la lame, mais pas dans l'alignement de la lame** (un retour en arrière peut faire sauter la scie en arrière, mais les forces de recul arrière peuvent être contrôlées par l'opérateur en prenant quelques précautions)

- **Lorsque la lame adhère, ou qu'elle cesse de couper pour quelque raison que ce soit, relâchez la gâchette et tenez la scie immobile dans la pièce, jusqu'à ce que la lame s'arrête complètement; n'essayez jamais d'enlever la scie de la pièce ou de tirer la scie vers l'arrière lorsque la lame est en mouvement, car vous entraîneriez un recul arrière** (faites des essais et prenez les mesures nécessaires pour éliminer la cause of de l'adhésion de la lame; évitez de couper des clous et des vis)
- **Lorsque vous remplacez la scie dans la pièce, centrez la lame de la scie dans la rainure, et vérifiez que les dents ne sont pas enfoncées dans la pièce** (si la lame adhère, elle peut sortir ou reculer hors de la pièce lorsque la scie redémarre)
- **Soutenez les grands panneaux pour réduire les risques de pincement ou de retour arrière de la lame** (les grands panneaux ont tendance à s'affaisser sous leur propre poids; des supports doivent être placés dessous, des deux côtés, près de la ligne de coupe et du bord du panneau)
- **N'utilisez pas de lame émoussée ou endommagée** (les lames mal aiguisées ou fixées peuvent produire une rainure trop étroite et entraîner une friction excessive, l'adhésion de la lame ou un retour arrière)
- **Les leviers de réglage d'angle et de profondeur de la lame doivent être bien serrés avant de faire une coupe** (si un réglage de lame change durant la coupe, il peut entraîner une adhésion et un retour arrière)
- **Utilisez des précautions supplémentaires lors des coupes plongeantes dans des murs existants ou autres difficiles d'accès** (la lame qui dépasse peut couper des objets entraînant un retour arrière)

ATTENTION

- **Vérifiez que le carter inférieur est correctement fermé avant chaque utilisation**
- **N'utilisez pas la scie si le carter inférieur ne se déplace pas librement et s'il ne se ferme pas instantanément**
- **Ne bloquez ni n'attachez jamais le carter inférieur en position ouverte**
- Si vous laissez tomber la scie, le carter inférieur risque de se plier; levez le carter inférieur à l'aide de la poignée rétractable et veillez à ce qu'il se déplace librement et ne touche pas la lame ni aucune autre partie, à tous les angles et profondeurs de coupe
- **Vérifiez le fonctionnement du ressort du carter inférieur; si le carter et le ressort ne fonctionnent pas correctement, ils doivent être réparés avant utilisation** (le carter inférieur risque de fonctionner lentement en raison des parties abîmées, de dépôts collants ou d'accumulation de poussières)
- **Le carter inférieur ne doit être rétracté manuellement que pour les coupes spéciales telles que les coupes plongeantes ou composées; levez le carter inférieur en rétractant la poignée et, dès que la lame entre dans la pièce, relâchez-le** (pour toutes les autres sortes de coupe, utilisez le carter inférieur en mode automatique)

- **Veillez toujours à ce que le carter inférieur couvre la lame avant de poser la scie sur un établi ou sur le sol** (une lame libre non protégée fera reculer la scie, qui coupera tout ce qui se trouve sur son chemin; pensez au temps qu'il faut à la lame pour s'arrêter lorsque l'interrupteur est relâché)
- Contrôlez avant le coupage s'il n'y a pas de clous, vis etc. dans le matériel à couper et qui risqueraient d'endommager très fortement l'outil; d'abord les enlevez puis coupez
- Lorsque vous rangez votre outil, le moteur doit être coupé et les pièces mobiles complètement arrêtées
- N'utilisez qu'une rallonge en parfait état, complètement déroulée, et d'une capacité de 16 ampères
- En cas de blocage ou d'anomalie électrique ou mécanique, coupez immédiatement l'outil et débranchez la prise
- SKIL ne peut se porter garant du bon fonctionnement de cet outil que s'il a été utilisé avec les accessoires d'origine
- La vitesse admissible des accessoires utilisées doit être au moins aussi élevée que la vitesse à vide maximale de l'outil
- Ne jamais utilisez votre outil sans le guide de sécurité d'origine
- Cet outil ne doit pas être utilisé par des personnes en dessous de 16 ans
- Le niveau sonore en fonctionnement peut dépasser 85 dB(A); munissez-vous de casques anti-bruit
- Si le câble est endommagé ou rompu pendant le travail, ne pas y toucher, mais immédiatement débranchez la prise
- N'utilisez jamais d'outil avec un câble endommagé; faites-le remplacer par un technicien qualifié
- Toujours contrôlez si la tension secteur correspond à la tension indiquée sur la plaquette signalétique de l'outil (les outils conçus pour une tension de 230V ou 240V peuvent également être branchés sur 220V)
- Cet outil ne convient pas pour couper à mouillage
- Après avoir coupé la mise en marche de votre scie circulaire, ne jamais arrêtez la rotation de la lame de scie par une force latérale appliquée contre elle
- Ne jamais utilisez de lame de scie circulaire faite en acier rapide (HSS)
- Ne jamais utilisez de disques de meulage/tronçonnage avec cet outil
- Ne pas coupez des matériaux composés d'amiante
- Portez un masque de protection lors de travaux sur des matériaux produisant des poussières nuisibles à la santé; toujours s'informer de la technicité de ces matériaux avant de travailler avec ceux-ci
- Ne jamais tentez de couper de trop fines pièces
- Enlevez tout corps étranger du tracé avant d'effectuer toute coupe
- Ne jamais travaillez au-dessus de l'outil
- Utilisez toujours une table de sciage livrée avec un interrupteur de sécurité pour éviter tout redémarrage intempestif
- Utilisez toujours une table de sciage livrée avec un couteau diviseur
- **Toujours débranchez l'outil avec tout réglage ou changement d'accessoire**

UTILISATION

- Changement des lames de scie ③
 - prenez la clé hexagonale A de son magasin B
 - appuyez sur le bouton C de blocage de l'arbre et le maintenez tandis que vous enlevez le boulon D de la lame avec la clé hexagonale
 - ! **appuyez sur le bouton C de blocage de l'arbre uniquement lorsque l'outil est complètement arrêté**
 - relâchez le bouton C de blocage de l'arbre
 - enlevez la bride E
 - ouvrez le carter inférieur F en utilisant le levier G et le maintenez tandis que vous changez la lame, les dents de scie et la flèche imprimée à la lame pointée dans le même direction que la flèche située sur le carter inférieur
 - relâchez le carter inférieur F
 - montez la bride E
 - ! **assurez-vous que les surfaces de serrage H des brides soient parfaitement propres et en face de la lame**
 - appuyez sur le bouton C de blocage de l'arbre et le maintenez tandis que vous serrez le boulon de la lame avec la clé hexagonale d'un 1/8ème de tour en arrière (permet le débrayage de la lame en cas de trop forte résistance du matériau permettant ainsi de réduire la surcharge du moteur et l'effet de recul)
 - relâchez le bouton C de blocage de l'arbre
- Réglage de la profondeur de coupe (0-55 mm) ④
 - pour une qualité parfaite de coupe, la lame de scie ne doit jamais dépasser de plus de 3 mm la pièce à travailler
 - desserrez le levier J
 - levez/abaissez la semelle K jusqu'à ce que la profondeur de coupe souhaitée soit atteinte grâce à l'indicateur L de l'échelle graduée
 - serrez le levier J
- Réglage de l'angle de coupe (0-45°) ⑤
 - desserrez le bouton M
 - inclinez l'outil jusqu'à ce que l'angle de coupe souhaité soit atteint grâce à l'indicateur N de l'échelle graduée
 - serrez le bouton M
 - ! **lors de coupe d'angle, la profondeur de coupe ne correspond pas à la valeur donnée par l'échelle de la profondeur de coupe**
- Vérification de l'angle de coupe à 90° ⑤
 - réglez et serrez la semelle K jusqu'au maximum de la profondeur de coupe ④
 - réglez et serrez l'angle de coupe à 0°
 - vérifiez l'angle de 90° entre la lame et la table, avec une équerre
- Viseur réglable de trait de sciage P ⑥a
 - pour guider l'outil le long du tracé souhaité
 - pour une coupe rectiligne de 0° ou une coupe d'angle de 45°, utilisez l'indicateur correspondant
 - ! **la partie la plus large de la semelle doit rester sur la partie la plus large de la pièce**

- l'indicateur de la ligne de coupe peut être réglé de façon à pouvoir couper du côté interne ou externe de la lame ⑥b
- ! **seule l'épaisseur des dents de la lame détermine la largeur de coupe**
- ! **effectuez toujours un essai préalable afin de vérifier la ligne de coupe**
- Aspiration des poussières
 - montez l'aspirateur sur l'axe Q ②
 - ! **ne laissez jamais le tuyau de l'aspirateur gêner le carter inférieur ou l'opération de coupe**
 - on peut aussi utiliser un sac à poussière (accessoire SKIL 2610387402)
- Utilisation de l'outil ②
 - branchez l'outil sur le secteur
 - toujours tenez fermement la poignée R d'une main et la poignée S avec l'autre main
 - posez l'outil avec le devant de la semelle bien à plat sur la pièce à travailler
 - ! **assurez-vous que les dents de la lame n'entrent pas dans la pièce à travailler**
 - mettez en marche l'outil en appuyant d'abord sur le bouton T (= interrupteur de sécurité qu'on ne peut pas bloquer) et puis en poussant la gâchette V
 - ! **l'outil devra tourner à la vitesse maximum avant que la lame n'entre dans la pièce à travailler**
 - le carter inférieur F s'ouvre automatiquement quand la lame n'entre dans la pièce à travailler (ouvrez le carter inférieur manuellement en utilisant le levier G pour des coupes spéciales comme des coupes plongeantes)
 - ne pas forcez l'outil; veillez à ce que la pression reste légère et constante
 - une fois la coupe faite, arrêtez l'outil en relâchant la gâchette V
 - ! **avant de retirer l'outil de la pièce à travailler, s'assurez que la lame se soit bien stabilisée**

CONSEILS D'UTILISATION

- Toujours inversez la partie visible pour avoir un minimum d'éclat
- Utilisez seulement des lames de scie coupantes et appropriées ⑦
 - la qualité de coupe s'améliore avec le nombre de dents
 - lames avec denture à mise de carbure coupent 30 fois plus longtemps que des lames ordinaires
- Guide parallèle W ⑧
 - pour effectuer des coupes de précision le long d'un bord d'une pièce à travailler
 - peut être monté de n'importe quel côté de la semelle
 Réglage du guide parallèle
 - desserrez le bouton X
 - réglez selon la largeur de coupe souhaitée en utilisant l'échelle du guide parallèle (le viseur de trait de sciage P servant de 0-repère)
 - serrez le bouton X
- Coupes plongeantes ⑨
 - réglez la profondeur de coupe souhaitée
 - inclinez l'outil vers le viseur de trait de sciage P et l'alignez avec le tracé

- ouvrez le carter inférieur F avec le levier G
- juste avant que la lame ne pénètre dans la pièce à travailler, enclenchez l'interrupteur et pénétrez progressivement en prenant pour appui l'avant de la semelle
- déplacez l'outil progressivement vers l'avant et vers le bas
- dès que la lame entre dans la pièce, relâchez le levier G
- ! **ne jamais tirez l'outil vers l'arrière**
- Coupe de larges panneaux ⑩
 - placez le panneau sur des cales soit au sol, sur un établi ou une table
 - ! **réglez la profondeur de coupe pour éviter de couper le support de travail**
 - dans le cas où le guide parallèle ne permettrait pas de régler la largeur de coupe, fixez une règle à la pièce à travailler pour servir de guide et utilisez le côté droit de la semelle contre ce guide
- Pour des suggestions complémentaires voir www.skileurope.com

GARANTIE / ENVIRONNEMENT

- Gardez toujours votre outil et le câble propres (spécialement les aérations)
 - ! **débranchez la fiche avant le nettoyage**
- Toujours nettoyez la lame de scie après toute utilisation (tout particulièrement dans le cas d'utilisation de résine)
- Ce produit SKIL est garanti conformément aux dispositions légales/nationales; tout dommage dû à l'usure normale, à une surcharge ou à une mauvaise utilisation de l'outil, sera exclu de la garantie
- En cas de problème, retournez l'outil **non démonté** au vendeur ou à la station-service SKIL la plus proche, en joignant la preuve d'achat (les adresses ainsi que la vue éclatée de l'outil figurent sur www.skileurope.com)
- **Ne pas jeter les outils électriques, les accessoires et l'emballage dans les ordures ménagères** (pour les pays européens uniquement)
 - conformément à la directive européenne 2002/96/EG relative aux déchets d'équipements électriques ou électroniques, et à sa transposition dans la législation national e, les outils électriques usés doivent être collectés à part et être soumis à un recyclage respectueux de l'environnement
 - le symbole ⑪ vous en souvient quand la nécessité du débarras se présente

D

Kreissäge

5855

EINLEITUNG

- Dieses Werkzeug ist bestimmt zum Sägen von Längs- und Querschnitte in Holz mit geradem Schnittverlauf und Gehrungswinkel bis 45°; mit entsprechenden Sägeblättern können auch Nichtisenmetalle, Leichtbaustoffe und Kunststoffe gesägt werden
- Bitte diese Bedienungsanleitung sorgfältig lesen und aufbewahren

TECHNISCHE DATEN ①

SICHERHEIT

ALLGEMEINE SICHERHEITSHINWEISE

ACHTUNG! Sämtliche Anweisungen sind zu lesen.

Fehler bei der Einhaltung der nachstehend aufgeführten Anweisungen können elektrischen Schlag, Brand und/oder schwere Verletzungen verursachen. Der nachfolgend verwendete Begriff "Elektrowerkzeug" bezieht sich auf netzbetriebene Elektrowerkzeuge (mit Netzkabel).

BEWAHREN SIE DIESE ANWEISUNGEN GUT AUF.

1) ARBEITSPLATZ

- a) **Halten Sie Ihren Arbeitsbereich sauber und aufgeräumt.** Unordnung und unbeleuchtete Arbeitsbereiche können zu Unfällen führen.
- b) **Arbeiten Sie mit dem Gerät nicht in explosionsgefährdeter Umgebung, in der sich brennbare Flüssigkeiten, Gase oder Stäube befinden.** Elektrowerkzeuge erzeugen Funken, die den Staub oder die Dämpfe entzünden können.
- c) **Halten Sie Kinder und andere Personen während der Benutzung des Elektrowerkzeugs fern.** Bei Ablenkung können Sie die Kontrolle über das Gerät verlieren.

2) ELEKTRISCHE SICHERHEIT

- a) **Der Anschlussstecker des Gerätes muss in die Steckdose passen. Der Stecker darf in keiner Weise verändert werden. Verwenden Sie keine Adapterstecker gemeinsam mit schutzgeerdeten Geräten.** Unveränderte Stecker und passende Steckdosen verringern das Risiko eines elektrischen Schlages.
- b) **Vermeiden Sie Körperkontakt mit geerdeten Oberflächen, wie von Rohren, Heizungen, Herden und Kühlschränken.** Es besteht ein erhöhtes Risiko durch elektrischen Schlag, wenn Ihr Körper geerdet ist.
- c) **Halten Sie das Gerät von Regen oder Nässe fern.** Das Eindringen von Wasser in ein Elektrogerät erhöht das Risiko eines elektrischen Schlages.
- d) **Zweckentfremden Sie das Kabel nicht, um das Gerät zu tragen, aufzuhängen oder um den Stecker aus der Steckdose zu ziehen. Halten Sie das Kabel fern von Hitze, Öl, scharfen Kanten oder sich bewegenden Geräteteilen.** Beschädigte oder verwickelte Kabel erhöhen das Risiko eines elektrischen Schlages.
- e) **Wenn Sie mit einem Elektrowerkzeug im Freien arbeiten, verwenden Sie nur Verlängerungskabel, die auch für den Außenbereich zugelassen sind.** Die Anwendung eines für den Außenbereich geeigneten Verlängerungskabels verringert das Risiko eines elektrischen Schlages.

3) SICHERHEIT VON PERSONEN

- a) **Seien Sie aufmerksam, achten Sie darauf, was Sie tun, und gehen Sie mit Vernunft an die Arbeit mit einem Elektrowerkzeug. Benutzen Sie das Gerät nicht, wenn Sie müde sind oder unter dem Einfluss von Drogen, Alkohol oder Medikamenten stehen.** Ein Moment der Unachtsamkeit beim Gebrauch des Gerätes kann zu ernsthaften Verletzungen führen.

- b) **Tragen Sie persönliche Schutzausrüstung und immer eine Schutzbrille.** Das Tragen persönlicher Schutzausrüstung, wie Staubmaske, rutschfeste Sicherheitsschuhe, Schutzhelm oder Gehörschutz, je nach Art und Einsatz des Elektrowerkzeugs, verringert das Risiko von Verletzungen.
 - c) **Vermeiden Sie eine unbeabsichtigte Inbetriebnahme. Vergewissern Sie sich, dass der Schalter in der Position „AUS“ ist, bevor Sie den Stecker in die Steckdose stecken.** Wenn Sie beim Tragen des Geräts den Finger am Schalter haben oder das Gerät eingeschaltet an die Stromversorgung anschließen, kann dies zu Unfällen führen.
 - d) **Entfernen Sie Einstellwerkzeuge oder Schraubenschlüssel, bevor Sie das Gerät einschalten.** Ein Werkzeug oder Schlüssel, der sich in einem drehenden Geräteteil befindet, kann zu Verletzungen führen.
 - e) **Überschätzen Sie sich nicht. Sorgen Sie für einen sicheren Stand und halten Sie jederzeit das Gleichgewicht.** Dadurch können Sie das Gerät in unerwarteten Situationen besser kontrollieren.
 - f) **Tragen Sie geeignete Kleidung. Tragen Sie keine weite Kleidung oder Schmuck. Halten Sie Haare, Kleidung und Handschuhe fern von sich bewegenden Teilen.** Lockere Kleidung, Schmuck oder lange Haare können von sich bewegenden Teilen erfasst werden.
 - g) **Wenn Staubabsaug- und -auffangeinrichtungen montiert werden können, vergewissern Sie sich, dass diese angeschlossen sind und richtig verwendet werden.** Das Verwenden dieser Einrichtungen verringert Gefährdungen durch Staub.
- #### 4) SORGFÄLTIGER UMGANG UND GEBRAUCH VON ELEKTROWERKZEUGEN
- a) **Überlasten Sie das Gerät nicht. Verwenden Sie für Ihre Arbeit das dafür bestimmte Elektrowerkzeug.** Mit dem passenden Elektrowerkzeug arbeiten Sie besser und sicherer im angegebenen Leistungsbereich.
 - b) **Benutzen Sie kein Elektrowerkzeug, dessen Schalter defekt ist.** Ein Elektrowerkzeug, das sich nicht mehr ein- oder ausschalten lässt, ist gefährlich und muss repariert werden.
 - c) **Ziehen Sie den Stecker aus der Steckdose, bevor Sie Geräteeinstellungen vornehmen, Zubehörteile wechseln oder das Gerät weglegen.** Diese Vorsichtsmaßnahme verhindert den unbeabsichtigten Start des Geräts.
 - d) **Bewahren Sie unbenutzte Elektrowerkzeuge außerhalb der Reichweite von Kindern auf. Lassen Sie Personen das Gerät nicht benutzen, die mit diesem nicht vertraut sind oder diese Anweisungen nicht gelesen haben.** Elektrowerkzeuge sind gefährlich, wenn Sie von unerfahrenen Personen benutzt werden.
 - e) **Pflegen Sie das Gerät mit Sorgfalt. Kontrollieren Sie, ob bewegliche Geräteteile einwandfrei funktionieren und nicht klemmen, ob Teile gebrochen oder so beschädigt sind, dass die Funktion des Gerätes beeinträchtigt ist. Lassen Sie beschädigte Teile vor dem Einsatz des Geräts reparieren.** Viele Unfälle haben ihre Ursache in schlecht gewarteten Elektrowerkzeugen.

- f) **Halten Sie Schneidwerkzeuge scharf und sauber.**
Sorgfältig gepflegte Schneidwerkzeuge mit scharfen Schneidkanten verkleben sich weniger und sind leichter zu führen.
- g) **Verwenden Sie Elektrowerkzeug, Zubehör, Einsatzwerkzeuge usw. entsprechend diesen Anweisungen und so, wie es für diesen speziellen Gerätetyp vorgeschrieben ist. Berücksichtigen Sie dabei die Arbeitsbedingungen und die auszuführende Tätigkeit.** Der Gebrauch von Elektrowerkzeugen für andere als die vorgesehenen Anwendungen kann zu gefährlichen Situationen führen.
- 5) SERVICE**
- a) **Lassen Sie Ihr Gerät nur von qualifiziertem Fachpersonal und nur mit Original-Ersatzteilen reparieren.** Damit wird sichergestellt, dass die Sicherheit des Geräts erhalten bleibt.

SICHERHEITSHINWEISE FÜR KREISSÄGEN

GEFAHR

- **Hände vom Schneideneingriffsbereich und vom Sägeblatt fern halten; Ihre zweite Hand auf dem vorderen Griff lassen** (wenn beide Hände die Säge halten, können sie nicht vom Sägeblatt geschnitten werden)
- **Nicht unter das Werkstück reichen** (der Blattschutz kann Sie nicht vor dem Sägeblatt unter dem Werkstück schützen)
- **Schnittiefe der Werkstückdicke anpassen** (unter dem Werkstück muss etwas weniger als ein kompletter Zahn der Blättzähne sichtbar sein)
- **Das zu schneidende Werkstück niemals in den Händen oder über die Beine halten** (es ist wichtig, das Werkstück richtig abzustützen, um Exposition des Körpers, Verkleben des Sägeblatts oder Verlust der Kontrolle zu minimieren)
- **Dort, wo das Schneidwerkzeug beim Arbeiten versteckte Kabel oder sein eigenes Anschlusskabel berühren könnte, das Werkzeug an den isolierten Griffflächen halten** (Kontakt mit einem spannungsführenden Leiter macht auch ungeschützte Metallteile des Werkzeuges spannungsführend und versetzt dem Bediener einen Stromschlag)
- **Beim Längssägen stets einen Seitenanschlag oder eine gerade Schnittführung benutzen** (dadurch wird die Schnittgenauigkeit verbessert und Verkleben des Sägeblatts weniger wahrscheinlich gemacht)
- **Stets Sägeblätter mit Dornlöchern der richtigen Größe und Form benutzen (rautenförmig oder rund)** (Sägeblätter, die nicht zu den Montageteilen der Säge passen, laufen exzentrisch, was in Verlust der Kontrolle resultiert)
- **Niemals beschädigte oder ungeeignete Sägeblattunterlegscheiben oder -bolzen benutzen** (Sägeblattunterlegscheiben und -bolzen wurden eigens für Ihre Säge konstruiert, um optimale Leistung und sicheren Betrieb zu gewährleisten)

RÜCKSCHLAG – URSACHEN

- Rückschlag ist eine plötzliche Reaktion auf ein eingezwängtes, verklebtes oder falsch ausgerichtetes Sägeblatt, wodurch eine Säge unkontrolliert aus dem Werkstück heraus – zum Bediener hin – angehoben wird
- Wenn das Sägeblatt eingezwängt ist oder vom nach unten schließenden Sägeschlitz stark eingeklemmt wird, kommt das Sägeblatt zum Stillstand und wird das Gerät durch den laufenden Motor rasch zum Bediener hin zurück gezwungen
- Wenn das Sägeblatt sich beim Schneiden verdreht oder falsch ausgerichtet wird, können sich die Zähne an der Hinterkante des Sägeblatts in der Holzoberfläche festfressen mit der Folge, dass sich das Sägeblatt aus dem Sägeschlitz heraushebt und – zum Bediener hin – rückwärts springt

RÜCKSCHLAG – VORBEUGUNG DURCH DEN BEDIENER

Rückschlag ist das Ergebnis von Werkzeugmissbrauch und/oder unsachgemäßen Bedienverfahren bzw. Einsatzbedingungen und kann durch Ergreifung entsprechender Maßnahmen (siehe unten) vermieden werden

- **Die Säge stets mit beiden Händen fest im Griff haben und Ihre Arme so positionieren, dass Sie Rückschlagkräften entgegenwirken können; Ihren Körper seitlich vom Sägeblatt positionieren, niemals in einer Linie mit dem Sägeblatt** (durch Rückschlag könnte die Säge rückwärts springen, aber Rückschlagkräfte können vom Bediener kontrolliert werden, wenn entsprechende Vorkehrungen getroffen werden)
- **Wenn das Sägeblatt klemmt, oder wenn ein Schnitt aus irgendeinem Grund unterbrochen wird, den Schalter loslassen und die Säge bewegungslos im Material halten, bis das Sägeblatt völlig zum Stillstand kommt; niemals versuchen, die Säge aus dem Werkstück zu entfernen oder die Säge rückwärts zu ziehen, während das Sägeblatt in Bewegung ist, ansonsten kann es zu Rückschlag kommen** (dies untersuchen und Abhilfemaßnahmen ergreifen, um die Ursachen für das klemmende Sägeblatt zu beseitigen; das Schneiden von Nägeln oder Schrauben vermeiden)
- **Beim erneuten Anlauf einer Säge im Werkstück das Sägeblatt im Sägeschlitz zentrieren und nachprüfen, dass die Sägezähne nicht mit dem Material im Eingriff stehen** (wenn das Sägeblatt klemmt, kann es nach oben wandern oder kann es zu Rückschlag vom Werkstück kommen, wenn die Säge wieder anläuft)
- **Große Platten abstützen, um das drohende Klemmen bzw. Rückschlagen des Sägeblatts zu minimieren** (große Platten neigen zum Durchbiegen unter ihrem eigenen Gewicht; die Platte muss auf beiden Seiten unten abgestützt werden, d.h. nahe an der Schnittlinie und nahe am Plattenrand)
- **Kein stumpfes oder beschädigtes Sägeblatt benutzen** (ungeschärfte oder falsch geschränkte Sägeblätter erzeugen schmale Sägeschnitte; die Folge sind übertriebene Reibung, Sägeblattklemmen und Rückschlag)

- **Sägeblatttiefe und Gehrungen einstellende Sicherungshebel müssen vor dem Schneiden fest und sicher sitzen** (wenn sich die Sägeblatteinstellung beim Schneiden ändert, kann dies zu Klemmen und Rückschlag führen)
- **Beim Einsetzschnitt in vorhandene Wände oder sonstige unübersichtliche Bereiche besonders vorsichtig vorgehen** (das vorstehende Sägeblatt kann Rückschlag verursachende Gegenstände schneiden)

ACHTUNG

- **Unteren Blattschutz jedes Mal vor Gebrauch auf vorschriftsmäßiges Schließen prüfen**
- **Die Säge nicht benutzen, wenn sich der untere Blattschutz nicht frei bewegt und sofort schließt**
- **Den unteren Blattschutz niemals durch Festklemmen oder -binden in die offene Position zwingen**
- Wenn die Säge versehentlich fallen gelassen wird, kann der untere Blattschutz dadurch verbogen werden; den unteren Blattschutz mit dem Einziehreff anheben und sicherstellen, dass er sich frei bewegt und nicht das Sägeblatt oder irgendein anderes Teil – bei sämtlichen Winkeln und Schnitttiefen – berührt
- **Die Funktion der unteren Blattschutzfeder prüfen; wenn der Blattschutz und die Feder nicht vorschriftsmäßig funktionieren, müssen sie vor Gebrauch gewartet werden** (der untere Blattschutz könnte aufgrund von beschädigten Teilen, klebrigen Ablagerungen oder einer Schmutzansammlung schwergängig sein)
- **Der untere Blattschutz sollte nur bei Sonderschnitten wie z.B. Einsetzschnitten und komplexen Schnitten manuell eingezogen werden; den unteren Blattschutz durch Einziehen des Griffs anheben, und sobald das Sägeblatt in das Werkstück eindringt, muss der untere Blattschutz losgelassen werden** (bei allen anderen Sägearbeiten sollte der untere Blattschutz automatisch arbeiten)
- **Stets darauf achten, dass der untere Blattschutz das Sägeblatt umschließt, bevor die Säge auf einer Werkbank oder dem Boden abgelegt wird** (ein ungeschütztes, auslaufendes Sägeblatt bewirkt, dass die Säge rückwärts wandert und schneidet, was ihr im Weg steht; bedenken, dass das Anhalten des Sägeblatts nach Loslassen des Schalters etwas Zeit in Anspruch nimmt)
- Beschädigungen durch Schrauben, Nägel und ähnlichem an Ihrem Werkstück vermeiden; diese vor dem Schnitt entfernen
- Sobald Sie sich von Ihrem Werkzeug entfernen, sollte dieses ausgeschaltet werden und die sich bewegenden Teile vollkommen zum Stillstand gekommen sein
- Bei Benutzung von Verlängerungskabeln darauf achten, daß das Kabel vollständig abgerollt ist und eine Kapazität von 16 A hat
- Im Falle von Blockieren, atypischem Verhalten oder Fremdgeräuschen, das Werkzeug sofort abschalten und den Netzstecker ziehen
- SKIL kann nur dann die einwandfreie Funktion des Werkzeuges zusichern, wenn Original-Zubehör verwendet wird

- Nur Zubehör verwenden, dessen zulässige Drehzahl mindestens so hoch ist wie die höchste Leerlaufdrehzahl des Werkzeuges
- Das Werkzeug niemals ohne das Original-Schutz benutzen
- Der Benutzer dieses Werkzeuges sollte älter als 16 Jahre sein
- Der Geräuschpegel beim Arbeiten kann 85 dB(A) überschreiten; Gehörschutz tragen
- Wird bei der Arbeit das Kabel beschädigt oder durchtrennt, Kabel nicht berühren, sondern sofort den Netzstecker ziehen
- Werkzeug nicht weiter verwenden, wenn das Kabel beschädigt ist; lassen Sie dieses von einem anerkannten Elektrofachmann ersetzen
- Stets nachprüfen, daß die Netzspannung mit der auf dem Typenschild des Werkzeuges angegebenen Spannung übereinstimmt (mit 230V oder 240V beschriftete Werkzeuge können auch an 220V betrieben werden)
- Dieses Werkzeug ist für Naßschnitte nicht geeignet
- Sägeblätter nach dem Ausschalten des Werkzeuges nicht durch seitliches Gegendrücken bremsen
- Die Benutzung von Sägeblättern aus hochlegiertem Schnell- arbeitsstahl (HSS) ist nicht zulässig
- Niemals Schrupp-/Trennscheiben mit diesem Werkzeug verwenden
- Keine Materialien schneiden, die Asbest enthalten
- Tragen Sie eine Staubschutzmaske bei Bearbeiten von Materialien, bei denen gesundheitsgefährdende Stäube entstehen; informieren Sie sich vorher über die zu bearbeitenden Materialien
- Nicht versuchen sehr kleine Werkstücke zu sägen
- Bevor Sie mit dem Schnitt beginnen, alle Hindernisse von der Ober- wie auch von der Unterfläche entfernen, die auf der Schnittstrecke liegen
- Mit dem Werkzeug nicht über dem Kopf arbeiten
- Ausschließlich ein Säge Tischgestell verwenden mit integriertem Schalter, der einen Motorneuanlauf nach einer Stromunterbrechung verhindert
- Ausschließlich ein Säge Tischgestell verwenden mit integriertem Spaltkeil
- **Grundsätzlich den Netzstecker ziehen, bevor Sie beliebige Änderungen an den Einstellungen oder einen Zubehörwechsel vornehmen**

ANWENDUNG

- Sägeblattwechsel ③
 - Sechskantschlüssel A aus Halterung B nehmen
 - Spindelarrretierungsknopf C drücken und halten, während Sie Sägeblattbolzen D mit dem Sechskantschlüssel entfernen
 - ! **Spindelarrretierungsknopf C nur bei stillstehendem Werkzeug drücken**
 - Spindelarrretierungsknopf C loslassen
 - Flansch E entfernen
 - unteren Blattschutz F mit Hebel G öffnen und halten, während Sie das Sägeblatt wechseln, wobei Sägezähne und auf das Sägeblatt aufgedruckter Pfeil in dieselbe Richtung wie der Pfeil auf dem unteren Blattschutz zeigen

- unteren Blattschutz F loslassen
- Flansch E montieren
- ! **Sicherstellen, daß Spannflächen H von Flanschen völlig sauber sind und dem Sägeblatt gegenüber gerichtet sind**
- Spindelarretierungsknopf C drücken und halten, während der Sägeblattbolzen mit dem Sechskantschlüssel angezogen wird, und zwar 1/8 Drehung an fingerfest vorbei (gewährleistet Rutschen des Sägeblatts, wenn es auf übertriebenen Widerstand trifft, wodurch Motorüberlastung und Rückschlag der Säge reduziert werden)
- Spindelarretierungsknopf C loslassen
- **Schnittfeineinstellung (0-55 mm) ④**
 - für eine optimale Schnittgüte sollte das Sägeblatt nicht mehr als 3 mm unter dem Werkstück überstehen
 - Hebel J lösen
 - Fuß K anheben/absenken bis gewünschte Schnitttiefe auf Winkelgradierung anhand des Zeigers L erreicht ist
 - Hebel J wieder anziehen
- **Schnittwinkleinstellung (0-45°) ⑤**
 - Knopf M lösen
 - Werkzeug kippen bis gewünschte Schnittwinkel auf Winkelgradierung anhand des Zeigers N erreicht ist
 - Knopf M wieder anziehen
 - ! **bei einem Gehrungsschnitt entspricht die auf der Tiefengradierung angezeigte Schnitttiefe nicht der effektiven Schnitttiefe**
- **90°-Schnittwinkelprüfung ⑤**
 - Fuß K auf Maximalschnitttiefe einstellen und anziehen ④
 - Schnittwinkel auf 0° einstellen und anziehen
 - prüfen Sie den 90°-Winkel zwischen Sägeblatt und Fußunterseite mit einem Winkelmaß
- **Einstellbares Schnittlinie-Sichtfenster P ⑥a**
 - für die präzise Führung des Werkzeuges die auf dem Werkstück gezogene Schnittlinie entlang
 - für einen geraden 0°-Schnitt oder einen 45°-Gehrungsschnitt die entsprechenden Zeigerlinie verwenden
 - ! **der größere Teil des Fußes sollte auf dem aufgestützten Teil des Werkstücks aufliegen**
 - kann eingestellt werden, damit Sie sich aussuchen können, ob Abfallmaterial auf der Innen- oder Außenseite des Blatts ist ⑥b
 - ! **die Schnittbreite wird durch die Sägezahnbreite und nicht durch die Sägeblattdicke festgelegt**
 - ! **immer zuerst einen Probeschnitt ausführen, um die effektive Schnittlinie zu überprüfen**
- **Staubabsaugung**
 - Saugschlauch auf Adapter Q ② stecken
 - ! **achten Sie darauf, daß der Staubsaugerschlauch die Öffnung des unteren Blattschutzes oder die Schnitтарbeit niemals hemmt**
 - man kann auch einen Staubsaack benutzen (SKIL Zubehör 2610387402)
- **Bedienung des Werkzeuges ②**
 - Netzstecker an der Steckdose anschließen
 - immer mit einer Hand Griff R und mit der anderen Hand Griff S festhalten

- Werkzeug mit der Fußvorderseite flach auf dem Werkstück positionieren
- ! **stellen Sie sicher, daß die Sägeblattzähne nicht im Werkstück verkeilt sind**
- das Werkzeug einschalten, indem Sie zuerst Knopf T (= Sicherheitsschalter den man nicht festsetzen kann) drücken und dann Schalter V betätigen
- ! **die Säge muß erst die Höchstgeschwindigkeit erreichen bevor das Sägeblatt in das Werkstück eingeführt wird**
- der untere Blattschutz F öffnet selbsttätig, wenn das Sägeblatt in das Werkstück eingeführt wird (den unteren Blattschutz nur für spezielle Schnitte wie Einsetzschnitte manuell öffnen; hierzu Hebel G benutzen)
- überfordern Sie das Werkzeug nicht; auf leichten und andauernden Anpreßdruck achten
- nach Abschluß des Schnittes das Werkzeug durch Lösen von Schalter V ausschalten
- ! **stellen Sie sicher, daß das Blatt vollkommen zum Stillstand gekommen ist, bevor Sie das Werkzeug vom Werkstück entfernen**

ANWENDUNGSHINWEISE

- Die Gutseite des Werkstücks grundsätzlich nach unten zeigend auflegen, um somit Absplitterungen auf ein Mindestmaß zu begrenzen
- Nur scharfe Sägeblätter vom richtigen Typ ⑦ benutzen
 - die Qualität des Schnittes erhöht sich mit der Anzahl der Zähne
 - Hartmetallbestückte Sägeblätter haben eine bis zu 30 Mal längere Lebensdauer als konventionelle Sägeblätter
- **Seitenanschlag W ⑧**
 - für exakte Parallelschnitte zur Werkstückkante
 - kann beiderseitig in den Fuß eingesetzt werden
- Einstellung Seitenanschlag
 - Knopf X lösen
 - auf gewünschte Schnittbreite einstellen anhand der Seitenanschlaggradierung (Sichtfenster P als 0-Referenz benutzen)
 - Knopf X wieder anziehen
- **Einsetzschnitt ⑨**
 - gewünschte Schnitttiefe einstellen
 - das Werkzeug nach vorne kippen mit Sichtfenster P auf die auf dem Werkstück gezogene Schnittlinie gerichtet
 - unteren Blattschutz F öffnen mit Hebel G
 - kurz vor dem Eintauchen des Sägeblatts in das Werkstück das Werkzeug einschalten, und den rückwärtigen Werkzeugteil, unter Verwendung der vorderen Fußkante als Auflagepunkt, langsam absenken
 - das Werkzeug langsam nach unten absenken und gleichzeitig nach vorne schieben
 - sobald das Sägeblatt in das Werkstück eindringt, Hebel G lösen
 - ! **das Werkzeug grundsätzlich nicht rückwärts führen**

- Zuschnitt großer Platten bzw. Tafeln ⑩
 - die Platte nahe der Schnittlinie entweder am Boden, auf einem Tisch oder einer Werkbank stützen
- ! **die Schnitttiefe so einstellen, daß Sie die Platte durchtrennen und nicht in die Auflagesäulen sägen**
- falls der Seitenanschlag die gewünschten Schnittbreite nicht ermöglicht, eine gerade Holzleiste auf das Werkstück klemmen oder nageln, die als Schnittführung dient, und das Werkzeug mit der rechten Fußseite an dieser Führungsleiste führen
- Für mehr Tips siehe www.skileurope.com

GARANTIE / UMWELT

- Halten Sie Werkzeug und Kabel immer sauber (insbesondere die Lüftungsschlitze)
! **Netzstecker vor dem Säubern ziehen**
- Das Sägeblatt unmittelbar nach der Benutzung reinigen (insbesondere von Harz- und Leimrückständen)
- Für dieses SKIL-Erzeugnis leisten wir Garantie gemäß den gesetzlichen/landesspezifischen Bestimmungen; Schäden, die auf natürliche Abnutzung, Überlastung oder unsachgemäße Behandlung zurückzuführen sind, bleiben von der Garantie ausgeschlossen
- Bei Beanstandung des Werkzeug **unzerlegt**, zusammen mit dem Kaufbeleg, an den Lieferer oder die nächste SKIL-Vertragswerkstätte senden (die Anschriftenlisten so wie die Ersatzteilzeichnung des Werkzeuges finden Sie unter www.skileurope.com)
- **Elektrowerkzeuge, Zubehör und Verpackungen nicht in den Hausmüll werfen** (nur für EU-Länder)
 - gemäss Europäischer Richtlinie 2002/96/EG über Elektro- und Elektronik- Altgeräte und Umsetzung in nationales Recht müssen nicht mehr gebrauchsfähige Elektrowerkzeuge getrennt gesammelt und einer umweltgerechten Wiederverwertung zugeführt werden
 - hieran soll Sie Symbol ⑪ erinnern



Cirkelzaag

5855

INTRODUKTIE

- Deze machine is bestemd voor het schulpen en afkorten van hout met een rechte zaaglijn tot onder een hoek van 45°; met de juiste zaagbladen kunnen ook nonferrometalen, lichte bouwmaterialen en kunststoffen gezaagd worden
- Lees en bewaar deze gebruiksaanwijzing

TECHNISCHE SPECIFIKATIES ①

VEILIGHEID

ALGEMENE VEILIGHEIDSVORSCHRIFTEN

LET OP! Lees alle voorschriften. Wanneer de volgende voorschriften niet in acht worden genomen, kan dit een elektrische schok, brand of ernstig letsel tot gevolg hebben. Het hierna gebruikte begrip „elektrisch gereedschap” heeft betrekking op elektrische gereedschappen voor gebruik op het stroomnet (met aansluitkabel).

BEWAAR DEZE VOORSCHRIFTEN GOED.

1) WERKOMGEVING

- Houd uw werkomgeving schoon en opgeruimd.**
Een rommelige of onverlichte werkomgeving kan tot ongevallen leiden.
- Werk met het gereedschap niet in een omgeving met explosiegevaar waarin zich brandbare vloeistoffen, gassen of stof bevinden.** Elektrische gereedschappen veroorzaken vonken die het stof of de dampen tot ontsteking kunnen brengen.
- Houd kinderen en andere personen tijdens het gebruik van het elektrische gereedschap uit de buurt.** Wanneer u wordt afgeleid, kunt u de controle over het gereedschap verliezen.

2) ELEKTRISCHE VEILIGHEID

- De aansluitstekker van het gereedschap moet in het stopcontact passen. De stekker mag in geen geval worden veranderd. Gebruik geen adapterstekkers in combinatie met geaarde gereedschappen.**
Onveranderde stekkers en passende stopcontacten beperken het risico van een elektrische schok.
- Voorkom aanraking van het lichaam met geaarde oppervlakken, bijvoorbeeld van buizen, verwarmingen, fornuizen en koelkasten.** Er bestaat een verhoogd risico door een elektrische schok wanneer uw lichaam geaard is.
- Houd het gereedschap uit de buurt van regen en vocht.** Het binnendringen van water in het elektrische gereedschap vergroot het risico van een elektrische schok.
- Gebruik de kabel niet voor een verkeerd doel, om het gereedschap te dragen of op te hangen of om de stekker uit het stopcontact te trekken. Houd de kabel uit de buurt van hitte, olie, scherpe randen en bewegende gereedschapsdelen.** Beschadigde of in de war geraakte kabels vergroten het risico van een elektrische schok.
- Wanneer u buitenshuis met elektrisch gereedschap werkt, dient u alleen verlengkabels te gebruiken die voor gebruik buitenshuis zijn goedgekeurd.** Het gebruik van een voor gebruik buitenshuis geschikte verlengkabel beperkt het risico van een elektrische schok.

3) VEILIGHEID VAN PERSONEN

- Wees alert, let goed op wat u doet en ga met verstand te werk bij het gebruik van het elektrische gereedschap. Gebruik het gereedschap niet wanneer u moe bent of onder invloed staat van drugs, alcohol of medicijnen.** Een moment van onoplettendheid bij het gebruik van het gereedschap kan tot ernstige verwondingen leiden.

- b) **Draag persoonlijke beschermende uitrusting en altijd een veiligheidsbril.** Het dragen van persoonlijke beschermende uitrusting zoals een stofmasker, slipvast werkschoenen, een veiligheidshelm of gehoorbescherming, afhankelijk van de aard en het gebruik van het elektrische gereedschap, vermindert het risico van verwondingen.
- c) **Voorkom per ongeluk inschakelen. Controleer dat de schakelaar in de stand „UIT“ staat voordat u de stekker in het stopcontact steekt.** Wanneer u bij het dragen van het gereedschap uw vinger aan de schakelaar hebt of wanneer u het gereedschap ingeschakeld op de stroomvoorziening aansluit, kan dit tot ongevallen leiden.
- d) **Verwijder instelgereedschappen of schroefsleutels voordat u het gereedschap inschakelt.** Een instelgereedschap of sleutel in een draaiend deel van het gereedschap kan tot verwondingen leiden.
- e) **Overschat uzelf niet. Zorg ervoor dat u stevig staat en steeds in evenwicht blijft.** Daardoor kunt u het gereedschap in onverwachte situaties beter onder controle houden.
- f) **Draag geschikte kleding. Draag geen loshangende kleding of sieraden. Houd haren, kleding en handschoenen uit de buurt van bewegende delen.** Loshangende kleding, sieraden en lange haren kunnen door bewegende delen worden meegenomen.
- g) **Wanneer stofafzuigings- of stofopvangvoorzieningen kunnen worden gemonteerd, dient u zich ervan te verzekeren dat deze zijn aangesloten en juist worden gebruikt.** Het gebruik van deze voorzieningen beperkt het gevaar door stof.
- 4) GEBRUIK EN ONDERHOUD VAN ELEKTRISCHE GEREEDSCHAPPEN**
- a) **Overbelast het gereedschap niet. Gebruik voor uw werkzaamheden het daarvoor bestemde elektrische gereedschap.** Met het passende elektrische gereedschap werkt u beter en veiliger binnen het aangegeven capaciteitsbereik.
- b) **Gebruik geen elektrisch gereedschap waarvan de schakelaar defect is.** Elektrisch gereedschap dat niet meer kan worden in- of uitgeschakeld, is gevaarlijk en moet worden gerepareerd.
- c) **Trek de stekker uit het stopcontact voordat u het gereedschap instelt, toebehoren wisselt of het gereedschap weglegt.** Deze voorzorgsmaatregel voorkomt onbedoeld starten van het gereedschap.
- d) **Bewaar niet-gebruikte elektrische gereedschappen buiten bereik van kinderen. Laat het gereedschap niet gebruiken door personen die er niet mee vertrouwd zijn en deze aanwijzingen niet hebben gelezen.** Elektrische gereedschappen zijn gevaarlijk wanneer deze door onervaren personen worden gebruikt.

- e) **Verzorg het gereedschap zorgvuldig. Controleer of bewegende delen van het gereedschap correct functioneren en niet vastklemmen en of onderdelen zodanig gebroken of beschadigd zijn dat de werking van het gereedschap nadelig wordt beïnvloed. Laat beschadigde delen repareren voordat u het gereedschap gebruikt.** Veel ongevallen hebben hun oorzaak in slecht onderhouden elektrische gereedschappen.
- f) **Houd snijdende inzetgereedschappen scherp en schoon.** Zorgvuldig onderhouden snijdende inzetgereedschappen met scherpe snijkanten klemmen minder snel vast en zijn gemakkelijker te geleiden.
- g) **Gebruik elektrische gereedschappen, toebehoren, inzetgereedschappen en dergelijke volgens deze aanwijzingen en zoals voor dit speciale gereedschapstype voorgeschreven. Let daarbij op de arbeidsomstandigheden en de uit te voeren werkzaamheden.** Het gebruik van elektrische gereedschappen voor andere dan de voorziene toepassingen kan tot gevaarlijke situaties leiden.

5) SERVICE

- a) **Laat het gereedschap alleen repareren door gekwalificeerd en vakkundig personeel en alleen met originele vervangingsonderdelen.** Daarmee wordt gewaarborgd dat de veiligheid van het gereedschap in stand blijft.

VEILIGHEIDSVOORSCHRIFTEN VOOR CIRKELZAGEN GEVAAR

- **Blijf met uw handen uit de buurt van het werkgebied van de zaag en het zaagblad; houd met uw tweede hand de voorste handgreep vast** (als beide handen de machine vasthouden, kunnen ze niet met het zaagblad in contact komen)
- **Reik niet naar iets onder het werkstuk** (de beschermkap kan u onder het werkstuk niet beschermen tegen het zaagblad)
- **Stel de zaagdiepte in op de dikte van het werkstuk** (onder het werkstuk dient minder dan een volledige tand van de zaagbladtanden zichtbaar te zijn)
- **Houd nooit een te zagen werkstuk in uw handen of op uw been** (het is belangrijk om het werk goed te ondersteunen om lichaamsverwondingen, verklemmen van het zaagblad, of verlies van controle over de zaag tot een minimum te beperken)
- **Houd de machine bij de geïsoleerde handgrepen vast, indien de zaag tijdens het werk verborgen bedrading of zijn eigen kabel zou kunnen raken** (contact met een draad onder spanning zal ook de blootgestelde metalen delen van de machine onder spanning zetten en de gebruiker een elektrische schok bezorgen)
- **Gebruik voor het afzagen van een langwerpig stuk hout altijd een breedtegeleider of een recht stuk hout als geleider** (daarmee wordt nauwkeuriger gezaagd en de kans op het verklemmen van het zaagblad verkleind)

- **Gebruik altijd zaagbladen met asgaten, die de juiste vorm en afmeting hebben (diamant of rond)** (bladen, die niet passen op de zaags, zullen eccentrisch gaan draaien, hetgeen tot ongecontroleerd gebruik leidt)
- **Gebruik nooit beschadigde of niet passende flenzen of bouten bij het zaagblad** (de zaagbladflenzen en -bout zijn speciaal ontworpen voor uw zaag, voor optimale prestatie en veiligheid tijdens het werk)

TERUGSLAG – OORZAKEN

- Terugslag is een plotselinge reactie op een vastgeklemd, vastgelopen of niet goed uitgelijnd zaagblad, waardoor de zaag ongecontroleerd uit het werkstuk omhoog richting gebruiker springt
- Indien het zaagblad vastgeklemd zit of vastloopt in de zich sluitende zaagsnede, blokkeert het blad en zorgt de reactie-kracht van de motor ervoor, dat de machine snel richting gebruiker terug springt
- Als het zaagblad in de zaagsnede vervormd raakt of niet recht in de zaagsnede loopt, kunnen de zaagtanden aan de achterkant van het zaagblad in de bovenste laag van het hout grijpen, met als gevolg dat het zaagblad uit de zaagsnede klimt en terug naar de gebruiker springt

TERUGSLAG – PREVENTIE DOOR DE GEBRUIKER

Terugslag is het resultaat van verkeerd gebruik van de machine en/of onjuiste werkprocedures of -omstandigheden en kan voorkomen worden door de juiste voorzorgsmaatregelen in acht te nemen, zoals hieronder aangegeven

- **Houd de zaag altijd stevig met beide handen vast en positioneer uw armen zodanig, dat u de krachten die ontstaan bij machine-terugslag kunt weerstaan; positioneer uw lichaam aan één kant van het zaagblad, in ieder geval niet op dezelfde lijn als het zaagblad** (terugslag kan ervoor zorgen, dat de zaag naar achteren springt, maar terugslag-krachten kunnen door de gebruiker gecontroleerd worden als de juiste voorzorgsmaatregelen in acht genomen worden)
- **Laat de schakelaar los, indien het zaagblad vastloopt, of indien om een andere reden het zaagproces onderbroken wordt, en houd de machine bewegingsloos in het materiaal totdat het zaagblad volkomen tot stilstand komt; probeer nooit om de zaag uit het werkstuk te verwijderen, of trek de zaag nooit naar achteren als het zaagblad in beweging is, want anders ontstaat terugslag** (onderzoek en neem corrigerende maatregelen om de oorzaak van vastlopen van het zaagblad te elimineren; vermijd het zagen in spijkers en schroeven)
- **Plaats, bij het opnieuw starten van de machine als deze zich in het werkstuk bevindt, het zaagblad midden in de zaagsnede en controleer of de zaagtanden niet in het materiaal vastzitten** (als het zaagblad vastloopt, kan het uit het werkstuk lopen of een terugslag-reactie geven als de machine opnieuw wordt gestart)

- **Ondersteun grote panelen om het risico van vastkleppen en terugslaan van het zaagblad tot een minimum te beperken** (grote panelen hebben de neiging onder hun eigen gewicht door te zakken; de steunpunten moeten aan beide kanten onder het paneel geplaatst worden, vlakbij de zaagsnede en vlakbij de zijkant van het paneel)
- **Gebruik geen botte of beschadigde zaagbladen** (een onscherp of onjuist geplaatst zaagblad zorgt voor een smalle zaagsnede met grote wrijving, vastlopen van het zaagblad en machine-terugslag als gevolg)
- **De bedieningshendels voor het instellen van zaagdiepte en verstekhoek moeten stevig vastzitten, voordat u gaat zagen** (als de zaagblad-instelling verschuift tijdens het zagen, kan dit vastlopen van het zaagblad en machine-terugslag tot gevolg hebben)
- **Wees extra voorzichtig bij het maken van een inval-zaagsnede in bestaande muren of andere "blinde" plaatsen** (het vooruitstekend zaagblad kan voorwerpen doorzagen, die machine-terugslag kunnen veroorzaken)

LET OP

- **Controleer vóór ieder gebruik of de onderste beschermkap op de juiste manier sluit**
- **Gebruik de zaag niet als de onderste beschermkap niet vrij beweegt en/of niet onmiddellijk sluit**
- **De onderste beschermkap nooit in opengedraaide positie vastkleppen of vastbinden**
- Indien de zaag per ongeluk is gevallen, kan de onderste beschermkap verbogen zijn; open de onderste beschermkap met zijn hendel en zorg ervoor dat deze vrij beweegt en, onder alle hoeken en zaagdieptes, niet het zaagblad noch ieder ander machinedeel raakt
- **Controleer of de veer van de onderste beschermkap functioneert; als de beschermkap en de veer niet juist functioneren, moeten zij vóór gebruik gerepareerd worden** (de onderste beschermkap kan traag functioneren als gevolg van beschadigde onderdelen, kleverige aanslag, of opeenhoping van zaagafval)
- **De onderste beschermkap dient alleen handmatig geopend te worden in geval van speciale zaagsnedes, zoals invalzagen en samengestelde zaagsnedes; open de onderste beschermkap met zijn hendel en laat deze los, zodra het zaagblad het materiaal bereikt** (bij alle andere zaagbewerkingen dient de onderste beschermkap automatisch open te gaan)
- **Houd altijd in de gaten, dat de onderste beschermkap het zaagblad bedekt voordat u de zaag op een plank of vloer wegzet** (een onbeschermde draaiend zaagblad zal de zaag naar achteren doen bewegen, daarbij alles doorzegend wat hij op zijn pad tegenkomt; wees bewust van de tijd, die het zaagblad nodig heeft om te stoppen, nadat de schakelaar is losgelaten)
- Voorkom schade, die kan ontstaan door schroeven, spijkers en andere voorwerpen in uw werkstuk; verwijder deze, voordat u begint te zagen
- Als u uw machine wegzet moet de motor uitgeschakeld zijn en de bewegende delen tot stilstand zijn gekomen

- Gebruik volledig uitgeholde en veilige verlengsnoeren met een capaciteit van 16 Ampère
- Schakel, in geval van blokkeren of elektrische of mechanische storing, de machine onmiddellijk uit en trek de stekker uit het stopcontact
- SKIL kan alleen een correcte werking van de machine garanderen, indien originele accessoires worden gebruikt
- Gebruik alleen accessoires met een toegestaan toerental, dat minstens even hoog is als het hoogste onbelaste toerental van de machine
- Gebruik uw machine nooit zonder het originele beschermkapsysteem
- Deze machine mag niet worden gebruikt door mensen, die jonger zijn dan 16 jaar
- Tijdens het werken kan het geluidsniveau 85 dB(A) overschrijden; draag oorbeschermers
- Raak het snoer niet aan, als dit tijdens de werkzaamheden wordt beschadigd of doorgesneden, maar trek onmiddellijk de stekker uit het stopcontact
- Gebruik de machine niet, wanneer het snoer beschadigd is; laat dit door een erkende vakman vervangen
- Controleer of het voltage, dat vermeld staat op het typeplaatje van de machine, overeenkomt met de netspanning (met 230V of 240V aangeduide machines kunnen ook op 220V aangesloten worden)
- Deze machine is niet geschikt voor nat-zagen
- Na uitschakeling van uw cirkelzaagmachine, nooit een draaiend cirkelzaagblad stoppen door er aan de zijkant iets tegenaan te drukken
- Gebruik nooit HSS-cirkelzaagbladen
- Gebruik nooit afbraam-/ (door)slijpschijven bij deze machine
- Zaag geen materiaal, dat asbest bevat
- Draag een stofmasker bij het bewerken van materialen, waarbij stof vrijkomt dat een gevaar vormt voor de gezondheid; controleer voor de bewerking met welke materialen u te maken hebt
- Probeer niet om uitzonderlijk kleine werkstukken te zagen
- Verwijder, voordat u begint te zagen, alle obstakels zowel boven als onder het zaagvlak
- Werk niet boven uw hoofd met de machine
- Gebruik alleen een zaagtafel voorzien van een schakelaar ter voorkoming van herstarten van de motor na stroomonderbreking
- Gebruik alleen een zaagtafel voorzien van een spouwmes
- **Trek altijd de stekker uit het stopcontact voordat u een instelling verandert of een accessoire verwisselt**

GEBRUIK

- Verwisselen van het zaagblad ③
 - haal zeskantsleutel A uit overgeplaats B
 - druk asvergrendelknop C in en houd deze vast terwijl u bout D met de zeskantsleutel verwijdert
- ! **druk asvergrendelknop C alleen in als machine helemaal stilstaat**
- laat asvergrendelknop C los
- verwijder flens E

- open onderste beschermkap F met hendel G en houd deze vast terwijl u het zaagblad verwisselt met de zaagtanden en de pijl op het zaagblad in dezelfde richting wijzend als de pijl op de onderste beschermkap
- laat onderste beschermkap F los
- monteer flens E
- ! **zorg ervoor, dat het klemoppervlak H van de flenzen perfect schoon is en naar het zaagblad wijst**
- druk asvergrendelknop C in en houd deze vast terwijl u de bout eerst handvast draait, en hem met de zeskantsleutel nog 1/8 slag verder vasttrekt (zorgt voor slippen van het zaagblad wanneer dit grote weerstand ondervindt, waardoor kans op overbelasting van de motor en machine-terugslag kleiner wordt)
- laat asvergrendelknop C los
- Instellen zaagdiepte (0-55 mm) ④
 - voor een optimale zaagsnede mag het zaagblad niet meer dan 3 mm onder het werkstuk uitsteken
 - draai hendel J los
 - duw voet K omhoog/omlaag totdat gewenste zaagdiepte op schaal is ingesteld met behulp van aanwijzer L
 - draai hendel J vast
- Instellen verstekhoek (0-45°) ⑤
 - draai knop M los
 - kantel machine totdat gewenste verstekhoek op schaal is ingesteld met behulp van aanwijzer N
 - draai knop M vast
- ! **bij verstekzagen correspondeert de zaagdiepte niet met de waarde op de zaagdiepte-schaal**
- Controle 90° verstekhoek ⑤
 - stel voet K op maximale zaagdiepte in en zet deze vast ④
 - stel verstekhoek op 0° in en zet deze vast
 - controleer met een winkelhaak of hoek tussen zaagblad en onderkant voet 90° is
- Verstelbaar zaaglijnvizier P ⑥a
 - voor het langs de gewenste, op werkstuk aangegeven, zaaglijn geleiden van machine
 - gebruik voor een rechte 0° zaagsnede of een 45° verstekzaagsnede de betreffende indicatielijn
- ! **laat brede gedeelte van voet op ondersteunde gedeelte van werkstuk rusten**
- kan ingesteld worden naar gelang u het restmateriaal aan binnen- of buitenkant van het blad wilt hebben ⑥b
- ! **breedte van zaagsnede wordt bepaald door dikte van zaagtanden en niet door dikte van zaagblad zelf**
- ! **altijd eerst uitproberen op een stuk afvalmateriaal**
- Stofafzuiging
 - sluit een stofzuiger aan op aansluitstuk Q ②
- ! **laat de stofzuigerslang nooit het openen van de beschermkap of het zagen belemmeren**
- u kunt ook een stofzak gebruiken (SKIL accessoire 26103B7402)
- Werken met de machine ②
 - steek stekker in stopcontact
 - houd handgreep R altijd stevig met de ene en handgreep S stevig met de andere hand vast

- plaats machine met voorkant van voet goed vlak op het werkstuk
- ! **zorg dat de zaagtanden het werkstuk niet raken**
- schakel uw machine aan door eerst knop T (= veiligheidsschakelaar, die niet vastgezet kan worden) en daarna trekker V in te drukken
- ! **het zaagblad moet eerst op volle snelheid zijn voordat u het in het werkstuk leidt**
- beschermkap F opent automatisch als u het zaagblad in het werkstuk leidt (open beschermkap alleen handmatig met hendel G voor speciale zaagsnedes zoals inval-zagen)
- forceer de machine niet; oefen lichte en constante druk uit
- schakel uw machine, na het maken van de zaagsnede, uit door trekker V los te laten
- ! **zorg ervoor, dat zaagblad tot stilstand gekomen is, voordat u machine van werkstuk haalt**

TOEPASSINGSADVIES

- Leg de goede kant van het werkstuk altijd naar beneden om splinteren tot een minimum te beperken
- Gebruik uitsluitend scherpe zaagbladen van het juiste type ⑦
 - hoe meer tanden, des te beter de zaagsnede
 - zaagbladen met hardmetalen tanden blijven tot 30 maal langer scherp dan gewone zaagbladen
- Breedtegeleider W ⑧
 - voor het maken van een precieze zaagsnede langs de rand van een werkstuk
 - kan aan beide kanten van de voet bevestigd worden
 Instellen breedtegeleider
 Instellen breedtegeleider
 - draai knop X los
 - stel gewenste zaagbreedte in met behulp van schaal op breedtegeleider (gebruik zaaglijnvizier P als 0-referentiepunt)
 - draai knop X vast
- Inval-zagen ⑨
 - stel gewenste zaagdiepte in
 - kantel machine naar voren met zaaglijnvizier P op één lijn met op werkstuk aangegeven gewenste zaaglijn
 - open beschermkap F met hendel G
 - schakel, net voordat u het zaagblad in het werkstuk leidt, de machine in en laat achterkant van machine geleidelijk zakken terwijl u voorkant van voet als "scharnier" gebruikt
 - beweeg machine geleidelijk zowel naar beneden als naar voren
 - zodra het zaagblad het materiaal bereikt, hendel G loslaten
- ! **de machine nooit naar achteren trekken**
- Zagen van grote panelen ⑩
 - ondersteun paneel dicht bij de zaagsnede op de grond, een tafel of een werkbank
- ! **stel zaagdiepte zo in, dat u door paneel en niet door de ondersteuning zaagt**
- indien breedtegeleider de gewenste zaagbreedte niet aankan, klem of spijker een recht stuk hout op werkstuk als een geleider, en gebruik de rechterkant van de voet tegen deze geleider
- Voor meer tips zie www.skileurope.com

GARANTIE / MILIEU

- Houd machine en snoer altijd schoon (met name de ventilatie-openingen)
 - ! **trek de stekker uit het stopcontact vóór het reinigen**
- Maak zaagblad onmiddellijk na gebruik schoon (met name als er hars of lijm op zit)
- Voor dit SKIL-product geven wij garantie volgens de wettelijk geldende bepalingen; schade, die terug te voeren is op natuurlijke slijtage, overbelasting of onachtzaam gebruik, is van deze garantie uitgesloten
- In geval van een klacht de machine **ongedemonteerd**, samen met het aankoopbewijs, naar het verkooppadres of het dichtstbijzijnde SKIL service-station opsturen (de adressen evenals de onderdelentekening van de machine vindt u op www.skileurope.com)
- **Geef elektrisch gereedschap, accessoires en verpakkingen niet met het huisvuil mee** (alleen voor EU-landen)
 - volgens de Europese richtlijn 2002/96/EG inzake oude elektrische en elektronische apparaten en de toepassing daarvan binnen de nationale wetgeving, dient afgedankt elektrisch gereedschap gescheiden te worden ingezameld en te worden afgevoerd naar een recycle-bedrijf, dat voldoet aan de geldende milieueisen
 - symbool ⑪ zal u in het afdankstadium hieraan herinneren

S

Cirkelsåg

5855

INTRODUKTION

- Maskinen är avsedd för sågning av raka längs- och tvärsnitt och i geringsvinklar upp till 45° i trä; med lämpliga sågklingor kan också icke-järnmetaller, lätt byggnadsmaterial och plast sågas
- Läs och spara denna instruktionsbok

TEKNISKA DATA ①

SÄKERHET

ALLMÄNNA SÄKERHETSANVISNINGAR

OBS! Samtliga anvisningar ska läsas. Fel som uppstår till följd av att anvisningarna nedan inte följts kan orsaka elektriskt slag, brand och/eller allvarliga kroppsskador. Nedan använt begrepp "Elverktyg" hänför sig till nätdrivna elverktyg (med nätsladd). TA VÅL VARA PÅ SÄKERHETSANVISNINGARNA.

1) ARBETSPLATS

- Håll arbetsplatsen ren och välbelyst.** Oordning på arbetsplatsen och dåligt belyst arbetsområde kan leda till olyckor.

- b) **Använd inte elverktyget i explosionsfarlig omgivning med brännbara vätskor, gaser eller damm.** Elverktygen alstrar gnistor som kan antända dammet eller gaserna.
- c) **Håll under arbetet med elverktyget barn och obehöriga personer på betryggande avstånd.** Om du störs av obehöriga personer kan du förlora kontrollen över elverktyget.
- 2) ELEKTRISK SÄKERHET**
- a) **Elverktygets stickpropp måste passa till vägguttaget. Stickproppen får absolut inte förändras. Använd inte adapterkontakter tillsammans med skyddsjordade elverktyg.** Oförändrade stickproppar och passande vägguttag reducerar risken för elektriskt slag.
- b) **Undvik kroppskontakt med jordade ytor som t. ex. rör, värmeelement, spisar och kylskåp.** Det finns en större risk för elektriskt slag om din kropp är jordad.
- c) **Skydda elverktyget mot regn och väta.** Tränger vatten in i ett elverktyg ökar risken för elektriskt slag.
- d) **Missbruka inte nätsladden och använd den inte för att bära eller hänga upp elverktyget och inte heller för att dra stickproppen ur vägguttaget. Håll nätsladden på avstånd från värme, olja, skarpa kanter och rörliga maskindelar.** Skadade eller tilltrasslade ledningar ökar risken för elektriskt slag.
- e) **När du arbetar med ett elverktyg utomhus använd endast förlängningssladdar som är godkända för utomhusbruk.** Om en lämplig förlängningssladd för utomhusbruk används minskar risken för elektriskt slag.
- 3) PERSONSÄKERHET**
- a) **Var uppmärksam, kontrollera vad du gör och använd elverktyget med förnuft. Använd inte elverktyget när du är trött eller om du är påverkad av droger, alkohol eller mediciner.** Under användning av elverktyg kan även en kort uppmärksamhet leda till allvarliga kroppsskador.
- b) **Bär alltid personlig skyddsutrustning och skyddsglasögon.** Den personliga skyddsutrustningen som t. ex. dammfiltermask, halkfria säkerhetsskor, hjälm eller hörselskydd – med beaktande av elverktygets modell och driftsätt – reducerar risken för kroppsskada.
- c) **Undvik oavsiktlig igångsättning. Kontrollera att strömställaren står i läget "FRÅN" innan du kopplar stickproppen till vägguttaget.** Om du bär elverktyget med fingret på strömställaren eller ansluter påkopplat elverktyg till nätströmmen kan olycka uppstå.
- d) **Ta bort alla inställningsverktyg och skruvnycklar innan du kopplar på elverktyget.** Ett verktyg eller en nyckel i en roterande komponent kan medföra kroppsskada.
- e) **Överskatta inte din förmåga. Se till att du står stadigt och håller balansen.** I detta fall kan du lättare kontrollera elverktyget i oväntade situationer.
- f) **Bär lämpliga kläder. Bär inte löst hängande kläder eller smycken. Håll håret, kläderna och handskarna på avstånd från rörliga delar.** Löst hängande kläder, smycken och långt hår kan dras in av roterande delar.
- g) **Vid elverktyg med dammsugnings- och -uppsamlingsutrustning kontrollera att anordningarna är rätt monterade och används på korrekt sätt.** Dessa anordningar reducerar faroriskerna i samband med damm.
- 4) OMSORGSFULL HANTERING OCH ANVÄNDNING AV ELVERKTYG**
- a) **Överbelasta inte elverktyget. Använd för aktuellt arbete avsett elverktyg.** Med ett lämpligt elverktyg kan du arbeta bättre och säkrare inom angivet effektområde.
- b) **Ett elverktyg med defekt strömställare får inte längre användas.** Ett elverktyg som inte kan kopplas in eller ur är farligt och måste repareras.
- c) **Dra stickproppen ur vägguttaget innan inställningar utförs, tillbehörsdelar byts ut eller elverktyget lagras.** Denna skyddsåtgärd förhindrar oavsiktlig inkoppling av elverktyget.
- d) **Förvara elverktygen oåtkomliga för barn. Låt elverktyget inte användas av personer som inte är förtrogna med dess användning eller inte läst denna anvisning.** Elverktygen är farliga om de används av oerfarna personer.
- e) **Sköt elverktyget omsorgsfullt. Kontrollera att rörliga komponenter fungerar felfritt och inte kärvar, att komponenter inte brustit eller skadats; orsaker som kan leda till att elverktygets funktioner påverkas menligt. Låt skadade delar repareras innan elverktyget återanvänds.** Många olyckor orsakas av dåligt skötta elverktyg.
- f) **Håll skärverktygen skarpa och rena.** Omsorgsfullt skötta skärverktyg med skarpa egg kommer inte så lätt i kläm och går lättare att styra.
- g) **Använd elverktyget, tillbehör, insatsverktyg osv. enligt dessa anvisningar och på sätt som föreskrivits för aktuellt verktygmodell. Ta hänsyn till arbetsvillkoren och arbetsomheten.** Används elverktyget på icke ändamålsenligt sätt kan farliga situationer uppstå.
- 5) SERVICE**
- a) **Låt elverktyget repareras endast av kvalificerad fackpersonal och med originalreservdelar.** Detta garanterar att elverktygets säkerhet upprätthålls.

SÄKERHETSANVISNINGAR FÖR CIRKELSÅGAR

FARA

- **Håll händerna på avstånd från sågningsområdet och sågbladet; håll andra handen på det främre handtaget** (om båda händerna håller i sågen kan du inte skära dig i handen)
- **Sträck dig inte under arbetsstycket** (skyddet skyddar dig inte från sågbladet under arbetsstycket)
- **Justera skärdjupet gentemot tjockleken av arbetsstycket** (mindre än hela längden av en av sågklingans tänder skall vara synlig genom arbetsstycket)
- **Håll inte stycket som ska sågas i händerna eller över benet** (det är viktigt att arbetsstycket stöds på rätt sätt så att kroppen inte utsätts för fara, sågbladet kör fast eller du förlorar kontrollen över sågen)

- **Håll verktyget i de isolerade gripytorna om det finns risk för att verktyget kommer åt dolda kablar eller din egen kabel** (om sågen kommer i kontakt med en strömförande ledare blir också den strömförande, och operatören får då en stöt)
 - **Vid klyvsågning ska alltid ett sidoanslag eller ett raksågningsstycke användas** (det gör att sågkanten blir rakare och minskar risken för att sågbladet kör fast)
 - **Använd alltid sågblad med spindelhål av rätt storlek och form (diamantformade eller runda)** (sågblad som inte passar sågens fästdon rör sig inte excentriskt, och då förlorar du lätt kontrollen över sågen)
 - **Använd aldrig skadade eller felaktiga brickor eller bultar för att fästa sågbladet** (brickorna och bultarna är speciellt tillverkade för sågen, för bästa prestanda och högsta säkerhet vid användningen)
- KAST - ANLEDNINGAR**
- Kast är en plötslig reaktion på ett klämt, fastkört eller felställt sågblad, som gör att sågen lyfts upp och ut ur arbetsstycket på ett okontrollerat sätt
 - Om sågbladet kläms eller körs fast här genom att sågspåret stänger sig, stannar sågbladet och motorreaktionen driver enheten snabbt bakåt mot operatören
 - Om sågbladet blir vridet eller felställt i spåret kan tändarna i bakre delen av sågbladet tränga in i övre delen av arbetsstycket, lämna spåret och hoppa bakåt mot operatören
- KAST – FÖRHINDRANDE FRÅN OPERATÖRENS SIDA**
Kast inträffar då verktyget används på fel sätt eller för fel tillämpning eller vid fel arbetsförhållanden, och kan förhindras om nedanstående råd följs
- **Håll i sågen stadigt med båda händerna och håll armarna så att du kan parera kastet; håll kroppen på endera sidan av sågbladet, så att du inte står i linje med sågbladet** (om det blir kast kan sågen hoppa bakåt, men det går att parera kast om man är beredd)
 - **När bladet fastnar eller när sågningen av någon anledning ska avbrytas, ska strömbrytaren släppas upp och sågen sedan hållas kvar i materialet tills sågbladet stannat helt; försök aldrig att ta ut sågen ur arbetsstycket eller dra den bakåt medan sågbladet är i rörelse, eftersom sågen då kan kasta** (undersök orsakerna till att bladet fastnar och åtgärda dem; undvik att säga på spikar och skruvar)
 - **När du startar upp sågen igen i ett arbetsstycke ska sågbladet vara i mitten av sågspåret; kontrollera att sågtändarna inte vidrör materialet** (om sågbladet har kört fast kan det röra sig uppåt eller sågen kasta när den startas upp igen)
 - **Stöd stora paneler får att minska risken för att bladet kläms eller det sågen kastar** (stora paneler sackar gärna under sin egen vikt; stöd måste placeras under panelen på båda sidorna, nära såglinjen och nära panelens kant)
 - **Använd inte ett slött eller skadat sågblad** (slöa eller felställda sågblad ger ett trångt sågspår, vilken orsakar onödigt mycket friktion, eller bladet kan fastna eller sågen kasta)
 - **Handtagen för justering av sågdjup och sågvinkel måste vara åtdragna och säkrade före sågningen** (om bladjusteringen ändras under sågningen kan bladet köra fast eller sågen kasta)
 - **Var särskilt försiktig vid instickssågning i existerande väggar eller andra föremål där du inte ser vad du säger i** (bladet kan träffa föremål som kan få sågen att kasta)
- OBS**
- **Kontrollera före varje användningstillfälle att nedre skyddet stänger sig ordentligt**
 - **Använd inte sågen om nedre skyddet inte rör sig fritt och stängs omedelbart**
 - **Kläm eller bind aldrig nedre skyddet i öppet läge**
 - **Om sågen tappas av misstag kan nedre skyddet bli böjt; fäll upp nedre skyddet med uppfällningshandtaget och kontrollera att det rör sig fritt och inte vidrör sågbladet eller någon annan del vid sågning i alla vinklar och djup**
 - **Kontrollera att fjädern i nedre skyddet fungerar; om skyddet och fjädern inte fungerar ordentligt måste de genomgå service innan sågen används** (nedre skyddet kan röra sig långsamt på grund av skadade delar, häftande avlagringar eller ansamlad skräp)
 - **Nedre skyddet ska endast föras bort manuellt vid speciella sågningstyper såsom instickssågning och sammansatt sågning; höj nedre skyddet med handtaget och så fort som sågbladet går in i materialet måste nedre skyddet släppas fritt** (för all annan typ av sågning ska nedre skyddet träda in automatiskt)
 - **Se alltid till att nedre skyddet täcker sågbladet innan du ställer från dig sågen på en bänk eller på golvet** (ett oskyddat sågblad i tomgång får sågen att röra sig bakåt och säga allt utefter den tillryggalagda sträckan; var medveten om den tid det tar för sågbladet att stanna efter det att strömbrytaren släpps upp)
 - **Undvik skador genom att ta bort skruvar, spikar eller andra föremål ur arbetsstycket innan du börjar säga**
 - **När du ställer ifrån dig maskinen måste motorn vara fränslagen och de rörliga delarna ska ha stannat fullständigt**
 - **Använd helt uttrullade och säkra förlängningssladdar med kapacitet på 16 A**
 - **I händelse av fastkörning, onormala elektriska eller mekaniska störningar, stäng genast av maskinen och dra ur stickkontakten**
 - **SKIL kan endast garantera att maskinen fungerar felfritt om originaltillbehör används**
 - **Använd endast tillbehör vilkas tillåtna varvtal åtminstone motsvarar maskinens högsta tomgångsvarvtal**
 - **Använd aldrig din maskin utan maskinens original säkerhetsdetaljer**
 - **Denna maskin bör ej användas av personer under 16 års ålder**
 - **Ljudnivån vid arbete kan överskrida 85 dB(A); använd hörselskydd**
 - **Skadas eller kapas nätsladden under arbetet, rör inte vid sladden utan dra genast ut stickkontakten**
 - **Använd ej maskinen om sladden är trasig; låt den byta ut av en kvalificerad person**

- Kontrollera alltid att den tillförda strömtypen stämmer med spänningen som anges på maskinens märkplåt (maskiner med beteckningen 230V eller 240V kan även anslutas till 220V)
- Denna maskin är inte lämplig till våtsågning
- Efter att maskinen blivit avstängd, försök aldrig att stoppa rotationen genom att pressa något mot bladet, utan låt den stanna av sig självt
- Använd aldrig en blad, som är gjord av snabbstål
- Använd aldrig slip/kapskivor till denna maskin
- Såga inte i material som innehåller asbest
- Använd andningsskydd vid bearbetning av material vid vilket hälsovådligt damm uppstår; informera dig på förhand om materialet som du skall arbeta med
- Såga ej extremt små arbetsstycken
- Se till att arbetsområdet är fritt från föremål innan du startar arbetet
- Använd aldrig din maskin ovanför huvudet
- Använd endast sågbord som är utrustad med 0-spänningsströmbrytare som förhindrar återstart av motorn efter strömvavbrott
- Använd endast sågbord som är utrustad med klyvkniven
- **Dra alltid ur stickkontakten från väggurtaget innan du gör någon justering eller byter tillbehör**

ANVÄNDNING

- Sågbladsbyte ③
 - ta fram hexnyckeln A från förvaringsutrymmet B
 - håll ner spindellåsknappen C medan du tar ut bladbulnen D med hexnyckeln
 - ! **tryck bara på spindellåsknappen C medan verktyget står stilla**
 - släpp upp spindellåsknappen C
 - tag bort flänsen E
 - öppna det nedre skyddet F med spaken G och håll det medan du byter sågbladet; sågtänderna och pilen som är tryckt på sågbladet ska peka i samma riktning som pilen på nedre skyddet
 - släpp nedre skyddet F
 - sätt tillbaka flänsen E
 - ! **se till att klämyrtorna H på flänsarna är helt rena och vända mot bladet**
 - håll ner spindellåsknappen C medan du drar åt bladbulnen med hexnyckeln 1/8 varv mer än fingerkraft (detta för att bladet ska slira om det träffar på för starkt motstånd och därmed minska överlastning på motorn och risk att sågbladet gör bakslag)
 - släpp upp spindellåsknappen C
- Justering av sågdjup (0-55 mm) ④
 - för optimal sågning skall ej sågbladet överstiga mer än 3 mm under arbetsstycket
 - lossa spak J
 - tryck upp/ned foten K till önskad sågdjup på skalan genom användande av indikatorn L
 - spänn fast spak J
- Justering av sågvinkel (0-45°) ⑤
 - lossa knapp M
 - luta maskinen till önskad sågvinkel på skalan genom användande av indikatorn N
 - dra åt knapp M

! vid fasnig, sågdjup överensstämmer ej med värdet på sågdjupsskalan

- Kontroll av vinkel vid 90° ⑥
 - justera och dra åt foten K till maximalt sågdjup ④
 - justera och dra åt sågvinkeln till 0°
 - kontrollera 90° vinkel mellan blad och undersida av foten med en vinkelhake
- Justerbar såglinjefönster P ⑥a
 - för att föra maskinen längs önskad såglinje markerat på arbetsstycket
 - för rak 0° sågning eller 45° vinkelsågning använd angående indikatorslinjen
- ! **den breda delen av foten skall vila på den stödjande delen av arbetsstycket**
 - kan justeras för att du ska kunna välja om du vill ha det avsågade på den inre eller yttre sidan av bladet ⑥b
- ! **sågbredd är fastställd av vidden på sågtänderna och ej på vidden av bladkroppen**
- ! **gör alltid en provsågning först för att fastställa den verkliga såglinjen**
- Dammuppsamling
 - anslut dammsugare till anslutning Q ②
- ! **låt ej dammsugarsslangen hindra nedre klingskyddet eller sågning**
 - ett spånåse (SKIL tillbehör 2610387402) kann även användas
- Användning av maskinen ②
 - sätt kontakten i väggurtaget
 - håll alltid fast handtaget R stadigt med en hand och handtaget S stadigt med den andra handen
 - placera maskinen med fotplattans framsida plant på arbetsstycket
 - ! **se till att sågtänderna ej går emot arbetsstycket**
 - starta maskinen genom att först trycka in knappen T (= säkerhetsströmbrytare som ej kan låsas) och därefter avtryckaren V
 - ! **maskinen skall ha nått max. varvtal innan bladet kommer i kontakt med arbetsstycket**
 - det nedre klingskyddet F öppnas automatiskt när sågbladet kommer i kontakt med arbetsstycket (öppna klingskyddet manuellt genom att föra undan det med spaken G endast för speciell sågning som dyksågning)
 - överbelasta inte maskinen; använd lätt och jämnt tryck
 - när du är färdig, stäng av maskinen genom att släppa avtryckaren V
 - ! **försäkra dig om att bladet helt har stannat innan maskinen lyfts från det sågade materialet**

ANVÄNDNINGSTIPS

- Lägg alltid den finaste sidan av arbetsstycket nedåt för att förhindra minimum av flis
- Använd endast skarpa sågblad av rätt sort ⑦
 - kvaliteten på sågnittet förbättras genom antalet tänder
 - hårdmetallblad förblir vassa upp till 30 gånger längre än vanliga blad
- Sidoanslag W ③
 - för exakt sågning längs arbetsstyckets kanter
 - kan infogas i båda sidorna av foten

Justering av sidoanslag

- lossa knapp X
- justera till önskad sågvidd genom användande av skalan på sidoanslaget (använd såglinjefönster P som 0-referens)
- dra åt knapp X
- Dyksågning ⑨
 - ställ in önskat sågdjup
 - luta maskinen framåt med såglinjefönstern P i linje med önskad såglinje som finns markerad på arbetsstycket
 - öppna nedre klingskyddet F med spaken G
 - starta maskinen innan bladet kommer i kontakt med arbetsstycket och gradvis sänker bakdelen av maskinen i arbetsstycket genom att använda främre delen av foten som stöd
 - föra maskinen gradvis nedåt och framåt
 - så fort som sågbladet går in i materialet, lösgör spak G
- ! **dra aldrig maskinen bakåt**
- Sågning av stora paneler ⑩
 - stöd panel nära sågning på ett golv, bord eller arbetsbänk
- ! **ställ in sågdjup så att du såg genom panelen och ej genom stödet**
- om sidoanslaget är för kort för önskad sågvidd kläm eller spika fast en rak träbit till arbetsstycket som ett anhåll, och använd rätta sidan av foten mot detta anhåll
- För fler tips se www.skileurope.com

GARANTI / MILJÖ

- Håll alltid din maskin och sladden ren (speciellt ventilationsöppningarna)
- ! **drag ur stickkontakten innan rengöring**
- Rengör sågbladet direkt efter användning (speciellt efter kåda och lim)
- För SKIL produkter lämnas garanti enligt respektive lands gällande föreskrifter; skador som orsakats av normalt slitage, överbelastning eller fel hantering omfattas ej av garantin
- Vid fel på maskinen, sänd/lämna in maskinen **i odemonterat skick** tillsammans med inköpskvitto till närmsta auktoriserad SKIL serviceverkstad (adresser till servicestationer och sprängskisser av maskiner finns på www.skileurope.com)
- **Elektriska verktyg, tillbehör och förpackning får inte kastas i hushållsoporna** (gäller endast EU-länder)
 - enligt direktivet 2002/96/EG som avser äldre elektrisk och elektronisk utrustning och dess tillämpning enligt nationell lagstiftning ska uttjänta elektriska verktyg sorteras separat och lämnas till miljövänlig återvinning
 - symbolen ⑪ kommer att påminna om detta när det är tid att kassera

DK

Rundsav

5855

INLEDNING

- Værktøjet er beregnet til at udføre længde- og tværsnit med lige snitforløb og geringsvinkler op til 45° i træ; brug af passende savklinger gør det også muligt at save i ikke-jernmetal, lette byggematerialer og kunststof
- Læs og gem denne betjeningsvejledning

TEKNISKE SPECIFIKATIONER ①

SIKKERHED

GENERALE SIKKERHEDSINSTRUKSER

VIGTIGT! Læs alle instrukserne. I tilfælde af manglende overholdelse af nedenstående instrukser er der risiko for elektrisk stød, alvorlige personskader, og der kan opstå brandfare. Det benyttede begreb „el-værktøj“ refererer til netdrevne maskiner (med tilslutningsledning). DISSE INSTRUKSER BØR OPBEVARES FOR SENERE BRUG.

1) ARBEJDSPLADS

- Sørg for, at arbejdsområdet er rent og ryddeligt.**
Uorden og uoplyste arbejdsområder øger faren for uheld.
- Brug ikke maskinen i eksplosionstruede omgivelser, hvor der er brændbare væsker, gasser eller støv.**
El-værktøj kan slå gnister, der kan antænde støv eller dampe.
- Sørg for, at andre personer og ikke mindst børn holdes væk fra arbejdsområdet, når maskinen er i brug.** Hvis man distraheres, kan man miste kontrollen over maskinen.

2) ELEKTRISK SIKKERHED

- Maskinens stik skal passe til kontakten. Stikket må under ingen omstændigheder ændres. Brug ikke adapterstik sammen med jordforbundne maskiner.**
Uændrede stik, der passer til kontakterne, nedsætter risikoen for elektrisk stød.
- Undgå kropskontakt med jordforbundne overflader som f.eks. rør, radiatorer, komfurer og køleskabe.**
Hvis din krop er jordforbundet, øges risikoen for elektrisk stød.
- Maskinen må ikke udsættes for regn eller fugt.**
Indtrængning af vand i maskinen øger risikoen for elektrisk stød.
- Brug ikke ledningen til formål, den ikke er beregnet til (f.eks. må man aldrig bære maskinen i ledningen, hænge maskinen op i ledningen eller rykke i ledningen for at trække stikket ud af kontakten).**
Beskyt ledningen mod varme, olie, skarpe kanter eller maskindele, der er i bevægelse. Beskadigede eller udviklede ledninger øger risikoen for elektrisk stød.
- Hvis maskinen benyttes i det fri, må der kun benyttes en forlængerledning, der er godkendt til udendørs brug.** Brug af forlængerledning til udendørs brug nedsætter risikoen for elektrisk stød.

3) PERSONLIG SIKKERHED

- a) **Det er vigtigt at være opmærksom, se, hvad man laver, og bruge maskinen fornuftigt. Man bør ikke bruge maskinen, hvis man er træt, har nydt alkohol eller er påvirket af medicin eller euforiserende stoffer.** Få sekunders uopmærksomhed ved brug af maskinen kan føre til alvorlige personskader.
- b) **Brug beskyttelsesudstyr og hav altid beskyttelsesbriller på.** Brug af sikkerhedsudstyr som f.eks. støvmaske, skridsikkert fodtøj, beskyttelseshjelm eller høreværn afhængig af maskintype og anvendelse nedsætter risikoen for personskader.
- c) **Undgå utilsigtet igangsætning. Kontrollér altid, at afbryderen står på OFF, før stikket sættes i.** Undgå at bære maskinen med fingern på afbryderen og sørg for, at maskinen ikke er tændt, når den sluttes til nettet, da dette øger risikoen for personskader.
- d) **Fjern indstillingsværktøj eller skruenøgle, inden maskinen tændes.** Hvis et stykke værktøj eller en nøgle sidder i en roterende maskindel, er der risiko for personskader.
- e) **Overvurder ikke dig selv. Sørg for at stå sikkert, mens der arbejdes, og kom ikke ud af balance.** Det er derved nemmere at kontrollere maskinen, hvis der skulle opstå uventede situationer.
- f) **Brug egnet arbejdstøj. Undgå løse beklædningsgenstande eller smykker. Hold hår, tøj og handsker væk fra dele, der bevæger sig.** Dele, der er i bevægelse, kan gribe fat i løstsiddende tøj, smykker eller langt hår.
- g) **Hvis støvudsugnings- og opsamlingsudstyr kan monteres, er det vigtigt, at dette tilsluttes og benyttes korrekt.** Brug af dette udstyr nedsætter risikoen for personskader som følge af støv.
- #### 4) OMHYGGELIG OMGANG MED OG BRUG AF EL-VÆRKTØJ
- a) **Undgå overbelastning af maskinen. Brug altid en maskine, der er beregnet til det stykke arbejde, der skal udføres.** Med den rigtige maskine arbejder man bedst og mest sikkert inden for det angivne effektområde.
- b) **Brug ikke en maskine, hvis afbryder er defekt.** En maskine, der ikke kan startes og stoppes, er farlig og skal repareres.
- c) **Træk stikket ud af stikkontakten, inden maskinen indstilles, der skiftes tilbehørsdele, eller maskinen lægges fra.** Disse sikkerhedsforanstaltninger forhindrer utilsigtet start af maskinen.
- d) **Opbevar ubenyttet el-værktøj uden for børns rækkevidde. Lad aldrig personer, der ikke er fortrolige med maskinen eller ikke har gennemlæst disse instrukser, benytte maskinen.** El-værktøj er farligt, hvis det benyttes af ukyndige personer.
- e) **Maskinen bør vedligeholdes omhyggeligt. Kontroller, om bevægelige dele fungerer korrekt og ikke sidder fast, og om delene er brækket eller beskadiget, således at maskinens funktion påvirkes. Få beskadigede dele repareret, inden maskinen tages i brug.** Mange uheld skyldes dårligt vedligeholdt maskiner.

- f) **Sørg for, at skæreværktøjer er skarpe og rene.** Omhyggeligt vedligeholdt skæreværktøjer med skarpe skærekanter sætter sig ikke så hurtigt fast og er nemmere at føre.
- g) **Brug el-værktøj, tilbehør, indsatsværktøj osv. iht. disse instrukser, og sådan som det kræves for denne specielle værktøjstype. Tag hensyn til arbejdsforholdene og det arbejde, der skal udføres.** I tilfælde af anvendelse af værktøjet til formål, som ligger uden for det fastsatte anvendelsesområde, kan der opstå farlige situationer.
- #### 5) SERVICE
- a) **Sørg for, at maskinen kun repareres af kvalificerede fagfolk, og at der kun benyttes originale reservedele.** Dermed sikres størst mulig maskinsikkerhed.

SIKKERHEDSINSTRUKSER FOR RUNDSAVE

FARLIGT

- **Hold hænderne væk fra saveområdet og savklingen; hold den anden hånd på det forreste håndtag** (hvis begge hænder holder fast i saven, kan de ikke blive beskadiget af savklingen)
 - **Stik ikke hånden ind under arbejdsemnet** (skærmen kan ikke beskytte Dem mod savklingen neden under arbejdsemnet)
 - **Justerer dybdeindstillingen efter arbejdsstykket** (mindre end en hel tand på saveklingen skal være synlig på undersiden af arbejdsstykket)
 - **Hold aldrig arbejdsemnet, som skal saves, i hænderne eller hen over et ben** (det er vigtigt at understøtte arbejdsemnet korrekt for at minimere kontakt med kroppen, undgå at savklingen sætter sig fast eller at De mister kontrol over saven)
 - **Hold fast i værktøjet på de isolerede gribeblader, når der udføres arbejde, hvor værktøjet kan komme i kontakt med skjulte ledninger eller sit eget kabel** (kontakt med en strømførende ledning vil gøre værktøjets ubeskyttede metaldele strømførende og give brugeren et elektrisk stød)
 - **Når De saver på langs ad årene, skal De altid bruge et sidestykke eller et lige stykke træ som styr** (det giver større præcision og nedsætter risikoen for at savklingen sætter sig fast)
 - **Anvend altid savklinger med akselhuller af den korrekte størrelse og facon (rombeformede eller runde)** (savklinger, som ikke passer til savens monteringsdele, vil få saven til at dreje excentrisk, hvilket kan bevirke, at De mister kontrol over den)
 - **Anvend aldrig beskadigede eller forkerte savklingeskiver eller -bolte** (savklingeskiver og -bolte er specielt konstrueret til Deres sav for optimal præstation og sikker anvendelse)
- #### TILBAGESLAG - ÅRSAGER
- **Tilbageslag er en pludselig reaktion på en fastklemt, blokeret eller forkert indstillet savklinge, som får saven til at løfte sig op og ud af arbejdsemnet mod brugeren**
 - **Når savklingen er fastklemt eller blokeret, fordi savsnittet lukker sig, går savklingen i stå og motorreaktionen driver hurtigt saven tilbage mod brugeren**

- Hvis savklingen bliver skæv eller forkert rettet ind i savsnittet, kan tænderne på savklingens bagkant trænge ned i træets overflade, hvilket får savklingen til at komme ud af savsnittet og blive kastet tilbage mod brugeren

BRUGERENS FORHOLDSREGLER MOD TILBAGESLAG

Tilbageslag er resultatet af værktøjsmisbrug og/eller forkerte arbejdsmetoder eller -forhold og kan undgås ved at træffe nedenstående korrekte forholdsregler

- **Hold godt fast i saven med begge hænder og anbring armene således, at De kan modstå tilbageslagskræfterne; stå med kroppen ved siden af savklingen, ikke på linje med savklingen** (tilbageslag kan bevirke, at saven kastes tilbage, men hvis der træffes de korrekte forholdsregler, kan brugeren klare tilbageslagskræfterne)
- **Hvis savklingen sætter sig fast eller når savearbejdet af en eller anden grund afbrydes, skal afbryderen slippes og saven holdes ubevægelig i materialet, indtil savklingen står fuldstændigt stille; forsøg aldrig at fjerne saven fra arbejdsemnet eller at trække saven baglæns, mens savklingen er i bevægelse, da der ellers kan opstå tilbageslag** (find årsagen til at savklingen har sat sig fast og ret fejlen; pas på ikke at save i som eller skruer)
- **Når saven startes i arbejdsemnet igen, anbring savklingen midt i savsnittet og sørg for at savtænderne ikke griber ind i arbejdsemnet** (hvis savklingen sætter sig fast, kan den bevæge sig opad eller blive kastet tilbage fra arbejdsemnet, når saven startes igen)
- **Understøt store arbejdsemner for at minimere risikoen for at savklingen klemmes fast og slås tilbage** (store arbejdsemner har en tendens til at synke ned på midten under deres egen vægt, så der skal placeres understøtninger under arbejdsemnet i begge sider, tæt på snittet og i nærheden af emnets kant)
- **Anvend aldrig en sløv eller beskadiget savklinge** (uskarpe eller forkert indstillede savklinger giver smalle snit, som forårsager stor friktion, får savklingen til at sætte sig fast og giver tilbageslag)
- **Klædedybde- og smigskæringslåsehåndtag skal være stramme og sidde godt fast, før De begynder at save** (hvis savklingens indstilling ændrer sig under savningen, kan det bevirke, at savklingen sætter sig fast og giver tilbageslag)
- **Udvis ekstra stor forsigtighed ved dyksavning i eksisterende vægge eller andre blinde områder** (den fremragende savklinge kan save i genstande, som kan give tilbageslag)

VIGTIGT

- **Inden hver ibrugtagning skal De kontrollere, at underskærmen lukker rigtigt**
- **Hvis underskærmen ikke kan bevæge sig frit og lukker omgående, må saven ikke anvendes**
- **Fastspænd eller blokér aldrig underskærmen i åben stilling**
- **Hvis saven ved et uheld tabes, kan underskærmen blive bøjet; hæv underskærmen med håndtaget og sørg for at den kan bevæge sig frit og ikke berører savklingen eller andre dele, i alle vinkler og savedybder**

- **Kontrollér funktionen af underskærmens fjeder; hvis skærmen og fjederen ikke fungerer korrekt, skal de repareres før brug** (underskærmen kan fungere trægt på grund af beskadigede dele, klæbrige aflejringer eller ophobning af snavs)
- **Underskærmen må kun hæves manuelt ved speciel savning f.eks. dyksavning og savning i sammensatte materialer; hæv underskærmen ved hjælp af håndtaget, og så snart savklingen berører arbejdsemnet, skal underskærmen udløses** (ved al anden savning skal underskærmen fungere automatisk)
- **Sørg altid for at underskærmen dækker savklingen, før saven lægges ned på arbejdsbænken eller gulvet** (en ubeskyttet savklinge, som kører i tomgang, vil få saven til at bevæge sig baglæns og save i alt, der kommer i vejen for den; vær opmærksom på, at det tager lidt tid, før savklingen stopper, efter kontakten slippes)
- **Undgå skader forårsaget af skruer, søm eller andre genstande i arbejdsemnet; fjern disse før De starter med at save**
- **Efter endt arbejde skal værktøjet afbrydes og alle bevægelige dele være stoppet før værktøjet sættes til side**
- **Ved brug af kabeltromle, skal ledningen rulles helt ud og have en kapacitet på 16 Ampere**
- **I tilfælde af blokering eller ved elektrisk eller mekanisk fejlfunktion, afbryd straks værktøjet og tag stikket ud af kontakten**
- **SKIL kan kun sikre en korrekt funktion af værktøjet, hvis der benyttes originalt tilbehør**
- **Der må kun benyttes tilbehør, hvis godkendte omdrejningstal er mindst så højt som værktøjets max. omdrejningstal i ubelastet tilstand**
- **Brug aldrig værktøjet uden den originale beskyttelsesskærm**
- **Dette værktøj bør ikke bruges af børn under 16 år**
- **Under arbejde med værktøjet kan lydniveauet overstige 85 dB(A); brug høreværn**
- **Hvis kablet beskadiges eller skæres over under arbejdet, ikke berør kablet, og straks træk ud stikket**
- **Brug ikke værktøjet, hvis kablet er beskadiget; få det skiftet ud af en anerkendt fagmand**
- **Kontrollér altid at forsyningsspændingen er den samme som den spænding, der er anført på værktøjets navneskilt (værktøj med betegnelsen 230V eller 240V kan også tilsluttes til 220V)**
- **Dette værktøj er ikke egnet til vandsavning**
- **Efter afbrydelse af rundsaven, så stop aldrig rotationen af savklingen ved et pres fra siden**
- **Brug aldrig savklinger der er lavet af HSS stål**
- **Anvend aldrig slibe/skæreskiver til dette værktøj**
- **Undlad at save materialer, som indeholder asbest**
- **Bær støvbeskyttelsesmaske ved bearbejdning af sundhedsfarligt støv-producerende materialer; man skal indhente oplysninger om de materialer, der skal arbejdes på, inden man går i gang**
- **Forsøg ikke at save ekstremt små arbejdsstykker**
- **Fjern alle genstande såvel ovenpå som nedenunder savlinien, før De begynder at save**
- **Arbejd ikke med værktøjet over hovedet**

- Anvend kun et savbord udstyret med en sikkerhedskontakt, som forhindrer re-start af motoren, efter en spændingsafbrydelse
- Anvend kun et savbord udstyret med en spaltekniv
- **Fjern altid først stikket fra kontakten, før De foretager nogle ændringer eller skifter tilbehør**

BETJENING

- Udskiftning af savklinge ③
 - tag stiftnøglen A ud af opbevaringspladsen B
 - tryk på spindellåseknappen C og hold den nede, medens De fjerner klingebolten D med stiftnøglen
 - ! **tryk kun på spindellåseknappen C, når værktøjet ikke bevæger sig**
 - udløs spindellåseknappen C
 - fjern flangen E
 - åbn underskærmen F ved at anvende tappen G og hold den fast, medens De skifter savklingen med savtænderne og pilen på savklingen peger i samme retning som pilen på underskærmen
 - udløs underskærmen F
 - monter flangen E
 - ! **sørg for at flangernes fastspændingsflader H er helt rene og vender mod klingen**
 - tryk på spindellåseknappen C og hold den nede, medens De spænder klingebolten med stiftnøglen 1/8 omgang fingerstramt (sørg for at savklingen kan glide, når den udsættes for ekstrem modstand for at reducere motoroverbelastning og savbagslag
 - udløs spindellåseknappen C
- Indstilling af savdyben (0-55 mm) ④
 - for at opnå et perfekt kvalitetssnit bør savklingen ikke rage mere end 3 mm nedenfor arbejdsemnet
 - løsn tappen J
 - løft/sænk foden K indtil den ønskede savdybde fremkommer på skalaen ved at anvende indikatoren L
 - spænd tappen J
- Indstilling af savvinklen (0-45°) ⑤
 - løsn knappen M
 - tip værktøjet indtil den ønskede savvinkel fremkommer på skalaen ved at anvende indikatoren N
 - spænd knappen M
 - ! **ved smigskæring, vil savdybden ikke svare til den angivne værdi på savdybdeskalaen**
- Check at savvinklen er 90° ⑤
 - justér og spænd foden K til maksimal savdybde ④
 - justér og spænd savvinklen på 0°
 - kontroller at der er en 90° vinkel mellem savklinge og undersiden af foden med en vinkel
- Indstilleligt savelinjeviser P ⑥a
 - for præcis savning langs den ønskede savelinjen markeret på arbejdsemnet
 - for lige savning i 0° eller 45° smigskæring, anvend da den pågældende indikatorlinje
 - ! **den bredeste del af foden bør hvile på den del af arbejdsemnet som har støtte**
 - kan justeres, så De kan vælge om spildmaterialet skal være på klingens inder- eller yderside ⑥b
 - ! **savbredden er afhængig af bredden på savtænderne og ikke af selve klingens**

- ! **udfør altid et prøve snit, for at kontrollere den aktuelle savlinje**
- Støvopsugning
 - monter støvsuger til forlængerstykket Q ②
 - ! **lad aldrig støvsugerslangen komme i kontakt med underskærmen eller savningen**
 - en støvpose (SKIL tilbehør 2610387402) kan også anvendes
- Brug af værktøjet ②
 - sæt stikket i kontakten
 - hold altid håndtaget R fast med den ene hånd og håndtaget S med den anden hånd
 - placer værktøjet med forenden af fodenden fladt imod arbejdsemnet
 - ! **sørg for at savtænderne ikke griber ind i arbejdsemnet**
 - start Deres værktøj ved først at trykke knappen T (= sikkerhedsafbryder, som ikke kan låses) ind og derefter træk på afbryder V
 - ! **værktøjet skal køre med max. hastighed inden savklingen berører arbejdsemnet**
 - underskærmen F åbnes automatisk når savklingen berører arbejdsemnet (hæv kun skærmen manuelt ved hjælp af tappen G ved speciel savning f.eks. dyksavning)
 - overbelast ikke værktøjet; anvend et let og vedvarende tryk
 - når De er færdig med savningen, sluk værktøjet ved at slippe afbryderen V
 - ! **vær sikker på, at savklingen står fuldstændigt stille, før De løfter værktøjet væk fra arbejdsemnet**

GODE RÅD

- Læg altid den pæneste side af arbejdsemnet nedad for at minimere splитning
- Brug kun skarpe savklinger af den korrekte type ⑦
 - kvaliteten af snittet forøges med antallet af tænder
 - hårdmetalsavklinger holder skæret op til 30 gange længere end alm. klinger
- Sidestyr W ⑧
 - til præcise snit langs kanten af arbejdsemnet
 - kan sættes ind på begge sider af foden
- Justering af sidestyr
 - løsn knappen X
 - justér til den ønskede savbredde ved hjælp af skalaen på sidestyret (brug savelinjeviser P som 0-reference)
 - spænd knappen X
- Dyksavning ⑨
 - indstil den ønskede savdybde
 - tip værktøjet fremad med savelinjeviser P på linie med den ønskede savelinie markeret på arbejdsemnet
 - åbn underskærmen F med tappen G
 - lige inden klingens berører arbejdsemnet, start værktøjet og sænk gradvist bagparten af værktøjet ved at benytte forenden af foden som støttepunkt
 - bevæg værktøjet gradvist nedad og samtidigt fremover
 - så snart savklingen berører arbejdsemnet, løs tappen G
 - ! **før aldrig værktøjet bagover**

- Savning af store emner ¹⁰
 - støt emnet tæt på snittet, enten på gulvet, bordet eller arbeidsbænken
- ! **Indstil savdybden således at De saver gennem emnet og ikke gennem det som støtter emnet**
 - hvis sidestyret ikke er langt nok til den ønskede savbredde, så fastgør et lige stykke træ som styr og for højre side af foden imod dette styr
- For flere tips se www.skileurope.com

GARANTI / MILJØ

- Hold værktøjet og ledningen ren (især ventilationshullerne)
 - ! **træk stikket ud før rensning**
- Rengør savklingen straks efter brug (spesielt for harpiks og lim)
- Vi yder garanti på SKIL produkter i henhold til de lovmæssige bestemmelser og de bestemmelser, som gælder i det enkelte land; garantien dækker ikke normal slidtage, overbelastning eller fejlagtig anvendelse af værktøjet
- I tilfælde af en klage, send venligst det **uskilte** værktøj sammen med et købsbevis til Deres værktøjsforhandler eller nærmeste autoriseret SKIL service værksted (adresser og reservedelstegning af værktøjet findes på www.skileurope.com)
- **Elværktøj, tilbehør og emballage må ikke bortskaffes som almindeligt affald** (kun for EU-lande)
 - i henhold til det europæiske direktiv 2002/96/EF om bortskaffelse af elektriske og elektroniske produkter og gældende national lovgivning, skal brugt elværktøj indsamles separat og bortskaffes på en måde, der skåner miljøet mest muligt
 - symbolet ¹¹ erindrer dig om dette, når udskiftning er nødvendig

N

Sirkelsag

5855

INTRODUKSJON

- Verktøyet er beregnet til å utføre langsgående og tverrgående snitt med rett skjæring og gjæringsvinkel opp til 45° i tre; med tilsvarende sagblad kan det også sages ikke-jernholdige metaller, byggematerialer og kunststoff
- Les og ta vare på denne brukerveiledningen

TEKNISKE OPPLYSNINGER ¹

SIKKERHET

GENERELLE SIKKERHETSANVISNINGER

OBS! Les gjennom alle anvisningene. Feil ved overholdelsen av nedenstående anvisninger kan medføre elektriske støt, brann og/eller alvorlige skader. Det nedenstående anvendte uttrykket «elektroverktøy» gjelder for strømdrevne elektroverktøy (med ledning).
TA GODT VARE PÅ DISSE ANVISNINGENE.

1) ARBEIDSPLASSEN

- a) **Hold arbeidsområdet rent og ryddig.** Rotete arbeidsområder og arbeidsområder uten lys kan føre til ulykker.
- b) **Ikke arbeid med maskinen i eksplosjonsutsatte omgivelser – der det befinner seg brennbare væsker, gass eller støv.** Elektroverktøy lager gnister som kan antenne støv eller damper.
- c) **Hold barn og andre personer unna når elektroverktøyet brukes.** Hvis du blir forstyrret under arbeidet, kan du miste kontrollen over maskinen.

2) ELEKTRISK SIKKERHET

- a) **Støpelet til maskinen må passe inn i stikkkontakten. Støpelet må ikke forandres på noen som helst måte. Ikke bruk adapterstøpsler sammen med jordede maskiner.** Bruk av støpsler som ikke er forandret på og passende stikkontakter reduserer risikoen for elektriske støt.
- b) **Unngå kroppskontakt med jordede overflater slik som rør, ovner, komfyrer og kjøleskap.** Det er større fare ved elektriske støt hvis kroppen din er jordet.
- c) **Hold maskinen unna regn eller fuktighet.** Dersom det kommer vann i et elektroverktøy, øker risikoen for elektriske støt.
- d) **Ikke bruk ledningen til andre formål, f.eks. til å bære maskinen, henge den opp eller trekke den ut av stikkkontakten. Hold ledningen unna varme, olje, skarpe kanter eller maskindeler som beveger seg.** Med skadede eller opphopede ledninger øker risikoen for elektriske støt.
- e) **Når du arbeider utendørs med et elektroverktøy, må du kun bruke en skjøteledning som er godkjent til utendørs bruk.** Når du bruker en skjøteledning som er egnet for utendørs bruk, reduseres risikoen for elektriske støt.

3) PERSONSIKKERHET

- a) **Vær oppmerksom, pass på hva du gjør, gå fornuftig frem når du arbeider med et elektroverktøy. Ikke bruk maskinen når du er trett eller er påvirket av narkotika, alkohol eller medikamenter.** Et øyeblikks uoppmerksomhet ved bruk av maskinen kan føre til alvorlige skader.
- b) **Bruk personlig verneutstyr og husk alltid å bruke vernebriller.** Bruk av personlig verneutstyr som støvmaske, sklisliske vernesko, hjelm eller hørselvern – avhengig av type og bruk av elektroverktøyet – reduserer risikoen for skader.
- c) **Unngå å starte verktøyet ved en feiltagelse. Forviss deg om at på-/av-bryteren står i «AV»-posisjon før du setter støpelet inn i stikkkontakten.** Hvis du holder fingeren på bryteren når du bærer maskinen eller kobler maskinen til strømmen i innkoblet tilstand, kan dette føre til uhell.
- d) **Fjern innstillingsverktøy eller skrunøkler før du slår på elektroverktøyet.** Et verktøy eller en nøkkel som befinner seg i en roterende maskindel, kan føre til skader.
- e) **Ikke overvurder deg selv. Sørg for å stå stødig og i balanse.** Dermed kan du kontrollere maskinen bedre i uventede situasjoner.

f) **Bruk alltid egnede klær. Ikke bruk vide klær eller smykker. Hold hår, tøy og hansker unna deler som beveger seg.** Løstsittende tøy, smykker eller langt hår kan komme inn i deler som beveger seg.

g) **Hvis det kan monteres støvavsug- og oppsamlingsinnretninger, må du forvise deg om at disse er tilkoblet og brukes på korrekt måte.** Bruk av disse innretningene reduserer faren på grunn av støv.

4) AKTSOM HÅNDBETING OG BRUK AV ELEKTROVERKTØY

a) **Ikke overbelast maskinen. Bruk et elektroverktøy som er beregnet til den type arbeid du vil utføre.** Med et passende elektroverktøy arbeider du bedre og sikrere i det angitte effektområdet.

b) **Ikke bruk elektroverktøy med defekt på-/avbryter.** Et elektroverktøy som ikke lenger kan slås av eller på, er farlig og må repareres.

c) **Trekk støpselet ut av stikkkontakten før du utfører innstillinger på maskinen, skifter tilbehørsdeler eller legger maskinen bort.** Disse tiltakene forhindrer en utilsikket startung av maskinen.

d) **Elektroverktøy som ikke er i bruk må oppbevares utilgjengelig for barn. Ikke la maskinen brukes av personer som ikke er fortrolig med dette eller ikke har lest disse anvisningene.** Elektroverktøy er farlige når de brukes av uerfarne personer.

e) **Vær nøye med vedlikeholdet av maskinen. Kontroller om bevegelige maskindeler fungerer feilfritt og ikke klemmes fast, og om deler er brukket eller skadet, slik at dette innvirker på maskinens funksjon. La skadede deler repareres før maskinen brukes.** Dårlig vedlikeholdte elektroverktøy er årsaken til mange uhell.

f) **Hold skjæreverktøyene skarpe og rene.** Godt stelte skjæreverktøy med skarpe skjær setter seg ikke så ofte fast og er lettere å føre.

g) **Bruk elektroverktøy, tilbehør, verktøy osv. i henhold til disse anvisningene og slik det er foreskrevet for denne spesielle maskintypen. Ta hensyn til arbeidsforholdene og arbeidet som skal utføres.** Bruk av elektroverktøy til andre formål enn det som er angitt kan føre til farlige situasjoner.

5) SERVICE

a) **Maskinen din skal alltid kun repareres av kvalifisert fagpersonale og kun med originale reservedeler.** Slik opprettholdes maskinens sikkerhet.

SIKKERHETSANVISNINGER FOR SIRKELSAGER

FARE

- **Hold hendene unna skjæreområdet og sagbladet; hold den andre hånden på det fremste håndtaket** (hvis du holder sagen med begge hendene, kan de ikke bli kuttet av bladet)
- **Ikke strekk hånden under arbeidsstykket** (skjermen kan ikke beskytte deg mot bladet under arbeidsstykket)
- **Justér dybdeinnstillingen etter arbeidsstykket** (halvparten av den nederste tannen på sagbladet skal være synlig på undersiden av arbeidsstykket)

- **Du må aldri holde stykket du arbeider med i hendene eller på tvers over beinet** (det er viktig å spenne fast arbeidsstykket skikkelig for å minske risikoen for kroppsskade, for at bladet skal sette seg fast, eller for å miste kontrollen)

- **Hold verktøyet i de isolerte gripeflatene når du utfører arbeid hvor du kan komme til å skjære i skjulte kabler/ledninger eller verktøyledningen** (berøring med en strømførende ledning vil gjøre verktøyet udekkede metalldele strømførende og gi brukeren et støt)

- **Når du sager på langs, må du allrid bruke sidestiller eller anviser for rett kant** (det øker nøyaktigheten på sagkuttet og reduserer risikoen for at bladet skal sette seg fast)

- **Bruk alltid sagblad av riktig størrelse og form på spindelhull (diamant/rundt)** (sagblad som ikke passer til verktøydelen det monteres på, vil gå eksentrisk og gjøre at du mister styringen)

- **Bruk aldri bladskiver eller bolter som er skadet eller av feil type** (bladskivene og boltene er laget spesielt for sagen, for å gå optimal ytelse og sikkerhet under bruk)

TILBAKESLAG - ÅRSAKER

- Tilbakeslag er en plutselig reaksjon på at sagbladet er klemt fast, sitter fast, eller er forskjøvet, slik at sagen er ute av kontroll og løfter seg opp og ut av arbeidsstykket og beveger seg mot operatøren
- Når bladet er i klemme eller sitter helt fast fordi spaltekniven stenger, vil bladet kjøre seg fast og motoren reagerer ved å kjøre verktøyet i stor fart bakover mot operatøren
- Hvis bladet blir vridd eller skjøvt i kuttet, kan tennene på bakkanten av bladet grave seg ned i overflaten på trestykket slik at bladet kommer ut av spaltekniven og hopper bakover mot operatøren

RIKTIG BRUK FOR Å HINDRE TILBAKESLAG

Tilbakeslag er en følge av at verktøyet misbrukes og/eller betjenes på feil måte eller under forhold som ikke egner seg; tilbakeslag kan unngås ved å ta riktige forholdsregler som oppgitt nedenfor

- **Hold sagen støtt med begge hendene og hold armene slik at du kan stå i mot kraften av tilbakeslaget; stå slik at kroppen kommer på den ene eller andre siden av bladet, og ikke på linje med bladet** (tilbakeslag kan få sagen til å hoppe bakover, men kraften i tilbakeslaget kan styres av operatøren, dersom du tar skikkelige forholdsregler)
- **Når bladet kjører seg fast, eller når du av en eller annen grunn avbryter sagingen, frigjør bryteren og hold sagen helt stille i arbeidsstykket til bladet slutter helt å gå rundt; forsøk aldri å trekke sagen ut av arbeidsstykket eller trekke sagen bakover mens bladet ennå roterer, eller kan det forårsake tilbakeslag** (undersøk hvorfor bladet har kjørt seg fast og fjern årsaken til det; unngå å skjære over nagler eller skruer)

- **Når du starter sagen igjen i arbeidsstykket, sett sagbladet midt i spaltekniven og kontroller at sagtennene ikke biter inn i materialet** (hvis sagbladet sitter fast, kan det bevege seg oppover eller slå tilbake fra arbeidsstykket i det sagen startes på nytt)
- **Støtt større paneler for å redusere risikoen for tilbakeslag eller at bladet blir klemt fast** (store paneler har en tendens til å bøye seg under sin egen vekt; det er nødvendig å sette støtter under panelet på begge sider, like ved skjærelinjen og nær kanten av panelet)
- **Ikke bruk et sagblad som er sløvt eller skadet** (blad som er uslipte eller ikke skikkelig justert, kan gi smal spaltekniv som forårsaker for mye friksjon, samt tilbakeslag og tendens til at bladet setter seg fast)
- **Bladdybde og låsespaker for krasaging må trekkes godt til og være støe før man begynner kuttet** (hvis bladjusteringen endrer seg under sagingen, kan det forårsake tilbakeslag eller at bladet setter seg fast)
- **Vær spesielt forsiktig når du gjør spaltekutt i eksisterende vegger eller andre blindområder** (bladet som stikker ut kan kutte inn i gjenstander som kan forårsake tilbakeslag)

OBS!

- **Kontroller at underskjermen er låst hver gang du bruker sagen**
- **Ikke bruk sagen hvis underskjermen ikke beveger seg fritt og låses øyeblikkelig**
- **Du må aldri klemme eller feste underskjermen slik at den holdes i åpen stilling**
- Hvis du ved et uhell slipper sagen i golvet, kan underskjermen bli bøyd; rett ut underskjermen med tilbaketrekkingshåndtaket og se til at den beveger seg fritt og ikke berører bladet eller noen annen del, uansett vinkel og skjæredybde
- **Kontroller at underskjermfjæren virker som den skal; hvis skjermen og fjæren ikke virker som de skal, må de leveres til service før de brukes igjen** (underskjermen kan bevege seg tregt p.g.a. deler som er skadet, seigt belegg, eller smussansamling)
- **Underskjermen skal bare trekkes tilbake for hånd for spesialarbeid som spaltekutt og sammensatte kutt; hev underskjermen ved å trekke tilbake spaken, men så snart bladet går inn i arbeidsstykket, må underskjermen slippes** (for all annen saging, skal du la underskjermen virke automatisk)
- **Pass alltid på at underskjermen dekker bladet før du legger fra deg sagen på en benk eller på golvet** (et ubeskyttet blad som ennå går rundt vil få sagen til å gå bakover og kutte alt som ligger i veien; du bør vite hvor lang tid det tar for bladet stopper etter at bryteren er slått av)
- For å unngå skader må alle skruer, spiker og andre elementer i arbeidsstykket, fjernes før du begynner å sage
- Når du setter bort verktøyet må bryteren slås av, bevegelige deler må være helt stoppet
- Bruk helt utrullet og sikker skjøteledning med en kapasitet på 16A
- Ved fastkjøring eller ved elektriske/mekaniske problemer, slå øyeblikkelig av bryteren og dra ut støpslet

- SKIL kan kun garantere et feilfritt verktøy dersom original-tilbehør brukes
- Bruk kun tilbehør med et godkjent turtall som er minst like høyt som verktøyets høyeste tomgangsturtall
- Bruk aldri verktøyet uten det originale beskyttelses systemet
- Verktøyet bør ikke brukes av personer under 16 år
- Støynivået under arbeid kan overskride 85 dB(A); bruk hørselvern
- Hvis kabelen skades eller kappes under arbeid må kabelen ikke berøres, men støpselet straks trekkes ut
- Bruk ikke verktøyet dersom kabel er skadet; få den skiftet ud af en anerkendt fagmand
- Sjekk alltid at tilført spenningen er den samme som oppgitt på verktøyets merkeplate (verktøy som er betegnet med 230V eller 240V kan også tilkoples 220V)
- Dette verktøyet er ikke beregnet for vannsaging
- Etter at du har slått av sagen, må du aldri stoppe bladrotasjonen ved å føre en gjenstand mot bladet
- Bruk aldri sirkelsagblader av HSS (stål)
- Bruk aldri slipe-/kappeskiver til dette verktøyet
- Sag ikke i materialer inneholdende asbest
- Bruk støvmaske ved arbeider med materialer som skaper helsefarlig støv; gjør deg kjent med materialene på forhånd som du skal arbeide med
- Ikke forsøk å kutte ekstremt små materialer
- Rydd unna alle hindringer i arbeidsområdet før du begynner å sage
- Ikke før sagen over hodet
- Bruk kun et sagbord med en bryter som hindrer re-start av motoren ved spenningsavbrudd
- Bruk kun et sagbord med en spaltekniv
- **Ta alltid ut kontakten før du forandrer innstillinger på sagen eller skifter tilbehør**

BRUK

- Sagbladbytte ③
 - ta frem sekskantnøkkelen A fra oppbevaring B
 - trykk på spindellåsknappen C og hold den inne mens du fjerner bladbolten D med sekskantnøkkelen
 - ! **vent med å trykke på spindellåsknappen C til verktøyet har stanset og er i ro**
 - slipp spindellåsknappen C
 - fjern flensen E
 - åpne underskjermen F ved å bruke spaken G og holde den mens du bytter sagblad; pass på at sagtenner og pil som er trykt på sagbladet peker i samme retning som pilen på underskjermen
 - slipp underskjermen F
 - monter flensen E
 - ! **pass på at oppspenningsflatene H og flensene er helt rene og vendt mot bladet**
 - trykk på spindellåsknappen C og hold den inne mens du strammer bladbolten med sekskantnøkkelen 1/8 omdreining mer enn trukket til for hånd (sikrer at sagbladet slipper hvis det møter for stor motstand og reduserer derfor overbelastning av motoren og tilbakeslag fra bladet)
 - slipp spindellåsknappen C

- Justering av kuttedyden (0-55 mm) ④
 - for optimal kvalitet på sagingen bør bladet ikke være mer enn 3 mm på undersiden av arbeidsstykket
 - løsne spak J
 - løft/senk fotplaten K inntil ønsket kuttedyde kommer til syne på skalaen ved å benytte indikatoren L
 - stram spak J
- Justering av kuttevinkel (0-45°) ⑤
 - løsne knott M
 - føre verktøyet på skrå inntil ønsket kuttevinkel kommer til syne på skalaen ved å benytte indikatoren N
 - stram knott M

! ved skråsaging vil kuttedyden ikke korrespondere med verdien på kuttedydeskalaen
- Sjekk av 90° kuttevinkel ⑤
 - juster og stram fotplaten K på maksimum kuttedyde ④
 - juster og stram kuttevinkel på 0°
 - mål 90° vinkel mellom bladet og bunnet av fotplaten med en vinkelhake
- Justerbar saglinjevisir P ⑥a
 - for å føre verktøyet langs ønskede saglinjen, markert på arbeidsstykket
 - for rett saging ved 0° eller skråsaging ved 45° benytt den angående indikatorlinje

! den vide delen av fotplaten bør hvile på den delen av arbeidsstykket som har støtte

 - kan justeres slik at du kan velge om avfallet kommer på inn- eller utsiden av bladet ⑥b

! kuttebredden er avhengig av bredden på tennene på sagbladet og ikke selve bladet

! ta alltid et prøvekutt før start for å bekrefte utseende på kuttet
- Støvoppsamling
 - tilkople støvsuger til adapter Q ②

! ikke la støvsugerslangen komme i kontakt med underskjermen eller selve kuttingen

 - man bør bruke også støvpose (SKIL tilbehør 2610387402)
- Bruk av verktøyet ②
 - putt støpsel i stikkkontakten
 - hold alltid håndtaket R godt fast med den ene hånden og håndtaket S godt fast med den andre hånden
 - sett verktøyet på arbeidsstykket med forsiden av fotplaten flatt ned på arbeidsstykket

! vær sikker på at sagtennene ikke fester seg i arbeidsstykket før start

 - slå på verktøyet ved først å trykke inn knapp T (= sikkerhetsbryter som ikke kan låses) og deretter trykk inn bryter V

! verktøyet må ha nådd max hastighet før sagbladet kommer i kontakt med arbeidsstykket

 - underskjermen F åpnes automatisk når sagbladet kommer i kontakt med arbeidsstykket (åpne bare denne manuelt med spaken G for spesielle kutt som spaltekutt)
 - bruk ikke makt; før sagingen med ett lett og kontinuerlig press
 - etter å ha fullført sagingen, slå av verktøyet ved å frigjøre bryter V

! forsikre deg om at bladet har stoppet helt før du løfter verktøyet fra arbeidsstykket

BRUKER TIPS

- Legg alltid den pene siden av arbeidsstykket ned for å forsikre deg om minimum splintring av materialet
Bruk alltid skarpe sagblader av riktig type ⑦
 - kvaliteten på sagingen økes med antall tenner på sagbladet
 - hårdmetall-blader har 30 ganger lengre levetid enn vanlige blader
- Sidestiller W ⑧
 - for å lage eksakte kutt langs arbeidsstykket
 - kan settes inn på begge sider av fotplaten

Justering av sidestiller

 - løsne knott X
 - juster til ønsket kuttebredde ved å benytte skalaen på sidestiller (bruk saglinjevisir P som 0-referanse)
 - stram knott X
- Spaltekutt ⑨
 - sett ønsket kuttedyde
 - føre verktøyet på skrå fremover med saglinjevisir P på linje med ønsket saglinje markert på arbeidsstykket
 - åpne underskjermen F med spaken G
 - akkurat før bladet treffer arbeidsstykket, start verktøyet og gradvis senk bakparten av verktøyet ved å benytte fronten av fotplaten som støttepunkt
 - beveg verktøyet gradvis nedover og samtidig fremover
 - så snart bladet går inn i arbeidsstykket, løsne spaken G

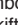
! ikke før verktøyet bakover
- Kutte stor panel ⑩
 - stott panelet nære kuttet enten på gulvet, bordet eller arbeidsbenken

! sett kuttedyden slik at du kutter gjennom panelet og ikke gjennom det som støtter panelet

 - derom sidestiller ikke er lang nok for ønsket sagbredde, sett fast en rett planke på arbeidsstykket som styring og før høyre side av fotplaten mot denne styring
- Se flere tips på www.skileurope.com

GARANTI / MILJØ

- Hold alltid verktøyet og kabela ren (spesielt ventilasjonshullene)
- **! dra ut støpselet før rengjøring**
- Rengjør sagblad straks etter bruk (spesielt for kvæ og lim)
- For SKIL-produkter ytes det garanti i henhold til de lovbestemte/nasjonale bestemmelser; skader som kan tilbakeføres til naturlig slitasje, overbelastning eller uriktig behandling er utelukket fra garantien
- I tilfelle klage send verktøyet i **montert** tilstand med kjøpsbevis til leverandøren eller nærmeste SKIL serviceverksted (adresser liksom service diagram av verktøyet finner du på www.skileurope.com)

- **Kast aldri elektroverktøy, tilbehør og emballasje i husholdningsavfallet** (kun for EU-land)
 - i henhold til EU-direktiv 2002/96/EF om kasserte elektriske og elektroniske produkter og direktivets iverksetting i nasjonal rett, må elektroverktøy som ikke lenger skal brukes, samles separat og returneres til et miljøvennlig gjenvinningsanlegg
 - symbolet  er påtrykt som en påminnelse når utskiftning er nødvendig

FIN

Käsipyörösaha

5855

ESITTELY

- Laite on tarkoitettu pituus- ja poikittaissahauksiin puuhun kiinteällä alustalla, suoralla sahausjäljellä ja jirikulmalla 45° asti; vastaavia sahanterää käyttäen voidaan sahata myös ei-rautametalleja, kevytrakennusaineita ja muovia
- Lue tämä ohjekirja ja pidä se tallella

TEKNISET TIEDOT

TURVALLISUUS

YLEISET TURVALLISUUSOHJEET

HUOMIO! Kaikki ohjeet täytyy lukea. Alla olevien ohjeiden noudattamisen laiminlyönti saattaa johtaa sähköiskuun, tulipaloon ja/tai vakavaan loukkaantumiseen. Seuraavassa käytetty käsite ”sähkötyökalu” käsittää verkkokäyttöisiä sähkötyökaluja (verkkojohdolla). SÄILYLTÄ NÄMÄ OHJEET HYVIN.

1) TYÖPAIKKA

- Pidä työskentelyalue puhtaana ja hyvin valaistuna.** Työpaikan epäjärjestys ja valaisemattomat työalueet voivat johtaa tapaturmiin.
- Älä työskentele sähkötyökalulla räjähdysalttiissa ympäristössä, jossa on palavaa nestettä, kaasua tai pölyä.** Sähkötyökalu muodostaa kipinöitä, jotka saattavat sytyttää pölyn tai höyryt.
- Pidä lapset ja sivulliset loitolla sähkötyökalua käyttäessäsi.** Voit menettää laitteesi hallinnan, huomiosi suuntautuessa muualle.

2) SÄHKÖTURVALLISUUS

- Sähkötyökalun pistotulpan tulee sopia pistorasiaan. Pistotulppaa ei saa muuttaa millään tavalla. Älä käytä mitään pistorasia-adaptoreita maadoitettujen sähkötyökalujen kanssa.** Alkuperäisessä kunnossa olevat pistotulpat ja sopivat pistorasiat vähentävät sähköiskun vaaraa.
- Vältä koskettamasta maadoitettuja pintoja, kuten putkia, pattereita, liesiä tai jääkaappeja.** Sähköiskun vaara kasvaa, jos kehosi on maadoitettu.
- Älä aseta sähkötyökalua alttiiksi sateelle tai kosteudelle.** Veden tunkeutuminen sähkötyökalun sisään kasvattaa sähköiskun riskiä.

- Älä käytä verkkojohtoa väärin. Älä käytä sitä sähkötyökalun kantamiseen, vetämiseen tai pistotulpan irrottamiseen pistorasiasta. Pidä johto loitolla kuumuudesta, öljystä, terävistä ruunoista ja liikkuvista osista.** Vahingoittuneet tai sokeutuneet johdot kasvattavat sähköiskun vaaraa.
- Käyttäessäsi sähkötyökalua ulkona, käytä ainoastaan ulkokäyttöön soveltuvaa jatkojohtoa.** Ulkokäyttöön soveltuvan jatkojohdon käyttö pienentää sähköiskun vaaraa.

3) HENKILÖTURVALLISUUS

- Ole valpas, kiinnitä huomiota työskentelyysi ja noudata tervettä järkeä sähkötyökalua käyttäessäsi. Älä käytä sähkötyökalua, jos olet väsynyt tai huumeiden, alkoholin tai lääkkeiden vaikutuksen alaisena.** Hetken tarkkaamattomuus sähkötyökalua käytettäessä, saattaa johtaa vakavaan loukkaantumiseen.
 - Käytä suojavarusteita. Käytä aina suojalaseja.** Suojavarusteet, kuten pölynsuojanaamarit, luistamattomat turvajalkineet, kypärä ja kuulosuojaimet pienentävät, tilanteen mukaan oikein käytettyinä, loukkaantumisen riskiä.
 - Vältä sähkötyökalun tahatonta käynnistämistä. Varmista, että käynnistyskytkin on asennossa ”OFF”, ennen kuin kytket pistotulpan pistorasiaan.** Jos kannat sähkötyökalua sormi käynnistyskytkimellä tai kytket sähkötyökalun pistotulpan pistorasiaan, käynnistyskytkimen ollessa käyntiasennossa, altistat itsesi onnettomuuksille.
 - Poista kaikki säätötyökalut ja ruuvitaltat, ennen kuin käynnistät sähkötyökalun.** Työkalu tai avain, joka sijaitsee laitteen pyörivässä osassa, saattaa johtaa loukkaantumiseen.
 - Älä yliarvioid itseäsi. Huolehdi aina tukevista seisoma-asennosta ja tasapainosta.** Täten voit paremmin hallita sähkötyökalua odottamattomissa tilanteissa.
 - Käytä tarkoitukseen soveltuvia vaatteita. Älä käytä löysiä työvaatteita tai koruja. Pidä hiukset, vaatteet ja käsineet loitolla liikkuvista osista.** Väljät vaatteet, korut ja pitkät hiukset voivat takertua liikkuviin osiin.
 - Jos pölynimi- ja keräilylaitteita voidaan asentaa, tulee sinun tarkistaa, että ne on liitetty ja että ne käytetään oikealla tavalla.** Näiden laitteiden käyttö vähentää pölyn aiheuttamia vaaroja.
- #### 4) SÄHKÖTYÖKALUJEN KÄYTTÖ JA HOITO
- Älä ylikuormita laitetta. Käytä kyseiseen työhön tarkoitettua sähkötyökalua.** Sopivaa sähkötyökalua käyttäen työskentelet paremmin ja varmemmin tehoalueella, jolle sähkötyökalu on tarkoitettu.
 - Älä käytä sähkötyökalua, jota ei voida käynnistää ja pysäyttää käynnistyskytkimestä.** Sähkötyökalu, jota ei enää voida käynnistää ja pysäyttää käynnistyskytkimellä, on vaarallinen ja se täytyy korjata.
 - Irrota pistotulppa pistorasiasta, ennen kuin suoritat säätöjä, vaihdat tarvikkeita tai siirrat sähkötyökalun varastoitavaksi.** Nämä turvatoimenpiteet pienentävät sähkötyökalun tahattoman käynnistysriskin.

- d) Säilytä sähkötyökalut poissa lasten ulottuvilta, kun niitä ei käytetä. Älä anna sellaisten henkilöiden käyttää sähkötyökalua, jotka eivät tunne sitä tai jotka eivät ole lukeneet tätä käyttöohjetta. Sähkötyökalut ovat vaarallisia, jos niitä käytetään kokemattomat henkilöt.
- e) Hoida sähkötyökalusi huolella. Tarkista, että liikkuvat osat toimivat moitteettomasti, eivätkä ole puristuksessa sekä, että siinä ei ole murtuneita tai vahingoittuneita osia, jotka saattaisivat vaikuttaa haitallisesti sähkötyökalun toimintaan. Anna korjauttaa mahdolliset viat ennen käyttöönottoa. Monen tapaturman syyt löytyvät huonosti huolletuista laitteista.
- f) Pidä leikkausterät terävinä ja puhtaina. Huolellisesti hoidetut leikkaustyökalut, joiden leikkausreunat ovat teräviä, eivät tartu helposti kiinni ja niitä on helpompi hallita.
- g) Käytä sähkötyökaluja, tarvikkeita, vaihtotyökaluja jne. näiden ohjeiden mukaisesti ja tavalla, jota on säädetty erityisesti kyseiselle sähkötyökalulle. Ota tällöin huomioon työolosuhteet ja suoritettava toimenpide. Sähkötyökalun käyttö muuhun kuin sille määrättyyn käyttöön, saattaa johtaa vaarallisiin tilanteisiin.
- 5) HUOLTO
- a) Anna koulutettujen ammattihenkilöiden korjata sähkötyökalusi ja hyväksy korjauksiin vain alkuperäisiä varaosia. Täten varmistat, että sähkötyökalu säilyy turvallisena.

KÄSIPYÖRÖSAHAN TURVALLISUUSOHJEET

VAROITUS

- Pidä kädet poissa sahausalueelta ja terästä; pidä toinen käsi etukavalla (jos molemmat kädet pitävät kiinni sahasta, terän ei ole mahdollista päästä koskettamaan niitä)
- Älä kurota työkappaleen alapuolelle (suojuis ei pysty suojaamaan sinua terältä työkappaleen alapuolella)
- Säädä sahausnyvyys sahattavan materiaalin paksuuden mukaiseksi (työkappaleen alapuolelta tulisi näkyä enimmäillään hampaan verran sahanterää)
- Älä koskaan pidä sahattavaa työkappaletta kädessäsi tai jalkojen poikki (työkalu on tärkeää tukea asianmukaisesti kehölle aiheutuvien vaarojen, terän kiinnitarttumisen tai kontrollin menettämisen minimoimiseksi)
- Pidä työkappaleesta kiinni sen eristetyistä tartuntapinnoista suoritettaessa toimintaa, jossa saha voi saada kontaktin kätkeytyyn johtoon tai sen omaan sähköjohtoon (kontakti jännitteeseen johtoon saa myös työkalun paljastetut metalliosat jännitteiseksi ja aiheuttavat sähköiskun käyttäjälle)
- Kuituja pitkin sahattaessa käytä aina sahausohjainta tai suorareunaista ohjainta (tämä parantaa sahausken tarkkuutta ja vähentää terän kiinnitarttumista)
- Käytä terä aina oikeankokoisilla ja -muotoisilla jyrshintuurnan rei'illä (vinoneliö/pyöreä) (terät, jotka eivät vastaa sahan kiinnityslaitteita, toimivat epäkeskisesti aiheuttaen kontrollin menetyksen)

- Älä koskaan käytä vaurioituneita tai vääriä terän välirenkaita tai pultteja (terän välirenkaat ja pultti on suunniteltu erityisesti sahaasi varten optimin suoritusastun ja turvallisen toiminnan varmistamiseksi)

TAKAPOTKU – SYITÄ

- Takapotku on äkillinen reaktio puristettuun, kiinnitarttuneeseen tai väärin kohdistettuun sahanterään nähden saaden aikaan kontrollin menettäneen sahan nousun ylös ja ulos työkappaleesta kohti käyttäjää
- Kun terä on puristettu tai kiinnitarttunut tiukasti halkaisun sulkeutuessa, terä pysähtyy ja moottorin reaktio ajaa laitteen nopeasti taaksepäin käyttäjää kohti
- Jos terä vääntyy tai on kohdistettu väärin sahauskeeseen, terän takareunassa olevat hampaat voivat pureutua puun yläpintaan saaden aikaan terän nousun halkaisusta ja hypähdyksen taaksepäin kohti käyttäjää

TAKAPOTKU – ESTOIMIA KÄYTTÄJÄN TURVALLISUUDEN SUOJELMISEKSI

Takapotkun aiheuttaa työkalun väärinkäyttö ja/tai väärät toimintamenetelmät; se voidaan välttää ryhtymällä seuraavassa kuvattuuihin varotoimiin

- Käytä kädensijasta-sijoista tiukasti kiinni ja pidä vartalosi ja käsivartesi asennossa, jossa voit kontrolloida mahdollisesta takapotkusta aiheutuva voimaa; pidä vartalosi sahanterälinjan jommalla kummalla puolella, älä sahalinjan tasalla (mahdollinen takapotku saattaa aiheuttaa sahan hyppäämisen taaksepäin, mutta tämä on käyttäjän hallittavissa, mikäli siihen varaudutaan ja laitteesta pidetään oikeaoppisesti kiinni)
- Kun terä on tarttunut kiinni tai kun sahaus keskeytetään jostakin syystä, vapauta liipaisin ja pidä saha liikkumattomana materiaalisissa, kunnes terä pysähtyy täysin; älä koskaan yritä poistaa sahaa työkappaleesta tai vetää sahaa taaksepäin terän liikkeussa, muuten voi aiheutua takapotku (tulki tapausta ja ryhdy tarvittaviin toimenpiteisiin terän kiinnitarttumisen aiheuttavan syyn eliminointiseksi; vältä sahausta nauloihin tai ruuveihin)
- Kun saha käynnistetään uudelleen työkappaleeseen, aseta terä keskelle halkaisua ja tarkista, että sahan terät eivät ole kiinni materiaalisissa (jos sahan terä on tarttunut kiinni, se voi ponnahtaa ylös tai saada aikaan takapotkun työkappaleesta saha uudelleenkäynnistettäessä)
- Tue suuret paneelit terän puristus- ja takapotkuriskin minimoimiseksi (suuret paneelit pyrkivät painumaan oman painonsa voimasta, tuet on asetettava molemmille puolille paneelia sahauslinjan ja paneelin reunan lähelle)
- Älä käytä tylsiä tai vaurioituneita teriä (teroittamattomat tai väärin asetetut terät aiheuttavat kapean halkaisun seurauksena liiallinen kitka, terän tartunta ja takapotku)
- Terän syvyyden ja vinouden säädön lukitusvipujen on oltava tiukalla ja turvallisia ennen sahausken suorittamista (jos terän säätö muuttuu sahausken aikana, seurauksena voi olla kiinnitarttuminen ja takapotku)

- **Ole erityisen varovainen upotussahausta suoritettaessa seiniin tai muihin päällysteiden peittämiin alueisiin** (sisääntyöntyvä terä voi osua kohteisiin, jotka aiheuttavat takapotkun)

HUOMIO

- **Tarkista aina ennen käyttöä, että alasuojus on suljettu kunnolla**
- **Älä käytä sahaa, jos alasuojus ei liiku vapaasti eikä sulkeudu välittömästi**
- **Älä koskaan kiilaa tai sido alasuojusta "auki"-asentoon**
- Jos saha pudotetaan vahingossa, alasuojus voi taipua; nosta alasuojus kokoonvedettävää kahvaa käyttämällä ja varmista, että se liikkuu esteettä eikä kosketa terää eikä muita osia sahauskulmista ja syvyyksistä riippumatta
- **Tarkista alasuojuksen jousen toiminta; jos suojuus ja jousi eivät toimi kunnolla, ne on huollettava ennen käyttöä** (alasuojuksen toiminta voi hidastua vaurioituneiden osien, tahmaisen liian liian kerääntymisen johdosta)
- **Alasuojus on kokoonvedettävä manuaalisesti vain erityissahausta varten, kuten upotussahaus tai sekasahaus; nosta alasuojus kokoonvedettävää kahvaa käyttämällä ja alasuojus on vapautettava heti kun terä syötty materiaaliin** (kaikissa muissa sahaustoimissa alasuojus toimii automaattisesti)
- **Tarkista aina, että alasuojus peittää terän ennen sahan asettamista työpenkille tai lattialle** (suojaamaton, liukuva terä saa sahan kulkemaan taaksepäin ja sahaamaan kaiken sen tielle tulevan materiaaliin; muista, että terän pysähtyminen vie jonkin aikaa kytkimen vapauttamisen jälkeen)
- Työstettävässä materiaalissa olevat naulat, ruuvit ja muut aineet voivat aiheuttaa vahinkoa; poista ne ennen sahausta
- Kun panet koneen pois, sammuta moottori ja varmista, että kaikki liikkuvat osat ovat pysähtyneet
- Käytä tarkoitukseen sopivaa jatkojohtoa auki kelattuna ja varmista että jatkojohto soveltuu 16 A:lle
- Jos saha juuttuu kiinni tai jos huomaat siinä sähköisen tai mekaanisen vian, sulje se heti ja irrota pistotulppa pistorasiasta
- SKIL pystyy takaamaan työkalun moitteettoman toiminnan vain, kun käytetään alkuperäisiä tarvikkeita
- Käytä vain tarvikkeita, joiden sallittu kierros-luku on vähintään yhtä suuri kuin laitteen suurin tyhjäkäyntikierros-luku
- Älä koskaan käytä konetta ilman alkuperäisiä suojarusteita
- Alle 16-vuotiaan henkilön ei ole suositeltavaa käyttää tätä konetta
- Työskennellessä melutaso saattaa ylittää 85 dB(A); jolloin suositellaan kuulosuojaimien käyttöä
- Jos sähköjohto vahingoittuu tai katkeaa työn aikana ei johtoa saa koskettaa, vaan pistotulppa on välittömästi irrotettava pistorasiasta
- Älä käytä sahaa, kun johto on vioittunut; ja toimita valtuutettuun huoltoiliikkeeseen

- Tarkista aina, että syöttöjännite on sama kuin työkalun nimiltaan osoittama jännite (työkalut, joiden jännitetaso on 230V tai 240V, voidaan kytkeä myös 220V tason jännitteeseen)
- Tämä saha ei sovellu märkäsahaukseen
- Sammutettuasi pyörösahasia älä koskaan pysäytä sahanterää painamalla sitä siruttaissuunnassa
- Älä koskaan käytä pikateräksestä tehtyjä sahanteräiä
- Älä käytä hionta- tai jyrstintälevyjä tämän koneen kanssa
- Älä sahaa asbestipitoisia materiaaleja
- Muista käyttää pölynsuojanaamaria, jos materiaalia työstettäessä syntyy terveydelle haitallista pölyä; ota etukäteen selvää työskentelyn parissa käytettävistä materiaaleista
- Älä sahaa pieniä työkappaleita
- Poista kaikki esteet sahauslinjan ylä- ja alapuolelta ennen sahausta
- Älä käytä sahaa pään yläpuolella
- Käytä ainoastaan sahauspöytää, jossa on kytkin, joka estää moottorin uudelleen käynnistymisen sähkökatkon jälkeen
- Käytä ainoastaan sahauspöytää, jossa on halkaisukiilaa
- **Irrota aina pistotulppa pistorasiasta, ennen kuin suoritat laitteelle mitään säätöjä tai vaihdat tarviketta**

KÄYTTÖ

- Sahanterän vaihto ③
 - ota kuusiokoloavain A pidikkeestä B
 - paina karanlukituspainiketta C ja pidä sitä painettuna samalla kun irrotat teräpultin D kuusiokoloavaimella
 - ! **paina karanlukituspainiketta C vain sahan ollessa pysähdyksissä**
 - vapauta karanlukituspainike C
 - poista laippa E
 - avaa alasuojus F käyttämällä vivua G ja pidä siitä kiinni vaihtaessasi terää niin että sahan hampailla varustettu terä ja sahan terään merkitty nuoli osoittavat samaan suuntaan kuin alasuojuksella oleva nuoli
 - vapauta alasuojus F
 - kiinnitä laippa E
 - ! **varmista, että laippojen puristus-pinnat H ovat täysin puhtaat ja että ne osoittavat kohti terää**
 - paina karanlukituspainiketta C ja pidä sitä painettuna samalla kun kiristät terän pulttia kuusiokoloavaimella 1/8 kierroksen verran olemaan sormikireyttä tiukemmalla (varmistaa sahanterän luisumisen huomattavan suuren vastustuksen aiheutuessa moottorin ylikuormitusta ja sahan takaiskua vähentämällä)
 - vapauta karanlukituspainike C
- Sahaussyvyyden asetus (0-55 mm) ④
 - jotta saataisiin paras mahdollinen sahauslaatu, sahanterä saa ulottua työkappaleen alapuolelle korkeintaan 3 mm
 - vapauta vivua J
 - nosta/laske pohjalevyä K, kunnes haluamasi sahaussyvyys näkyy asteikon osoittimella L
 - kiristä vivua J

- Sahauskulman asetus (0-45°) ⑤
 - vapauta nappia M
 - kallista työkalua, kunnes haluamasi sahauskulman näkyy asteikon osoittimella N
 - kiristä nappia M
 - ! **kun sahataan viistoreunaa, sahausvyvyys ei vastaa sahausvyvyyden asteikolla näkyvää arvoa**
- 90°:n sahauskulman tarkistus ⑤
 - säädä ja kiristä pohjalevy K maksimisahaussyvyteen ④
 - säädä ja kiristä sahauskulma 0°:een
 - tarkista terän ja pohjalevyn välinen 90°:n kulma suorakulman avulla
- Säädettävä sahauslinjan osoitin P ⑥a
 - ohjaa sahaa haluttua sahauslinjaa pitkin, joka on merkitty työkappaleeseen
 - käytä suoraa 0°:n ja viistoa 45°:n sahausta varten vastaavaa osoitinlinjaa
 - ! **pohjalevyn leveän osan pitäisi sijaita työkappaleen tuetun osan päällä**
 - voidaan säätää niin että pystyt suorittamaan valinnan riippuen siitä, onko jätteen sisä- vai ulkopuolella ⑥b
 - ! **sahausten leveyden määrää terän hampaiden leveys eikä terän rungon leveys**
 - ! **suorita aina ensin koesahaus tarkistaaksesi todellisen sahauslinjan**
- Pölynimi
 - liitä pölynimuri liitoskappaleeseen Q ②
 - ! **varmista, että pölymurin letku ei pääse häiritsemään alasuojaa eikä sahausta**
 - voidaan käyttää pölypussin kanssa (SKIL tarvikkeita 2610387402)
- Työkalun käyttö ②
 - aseta pistotulppa pistorasiaan
 - pidä aina lujasti yhdellä kädellä kahvasta R ja toisella kädellä kahvasta S
 - aseta saha työkappaleelle siten, että sen pohjalevyn etusivu lepää työkappaleen päällä
 - ! **varmista, etteivät sahanterän hampaat ole kosketuksissa työkappaleeseen**
 - käynnistä saha painamalla ensin nappia T (= turvakytkin, jota ei voida lukita) ja sen jälkeen vetämällä kytkimestä V
 - ! **koneen pitää käydä täysillä kierroksilla ennen sahanterän kosketusta työstettävään kappaleeseen**
 - alasuoja F avautuu automaattisesti, kun sahanterä koskettaa työkappaletta (alasuoja avataan käsin vivusta G vain erikoissahauskia, kuten esim. upotussahausta, varten)
 - älä yritä sahata väkisin; käytä kevyttä, jatkuvaa painallusta
 - kun työ on suoritettu, sulje saha kytkimestä V
 - ! **varmista, että terä on täysin pysähtynyt, ennen kuin irrotat sen työkappaleesta**

SOVELLUSOHJEITA

- Käännä aina työkappaleen parempi puoli alaspäin, jotta reunan repeäminen olisi mahdollisimman vähäistä
- Käytä vain oikeantyyppisiä teräviä sahanteräiä ⑦
 - sahausksen laatu riippuu hammastuksen tiheydestä
 - kovametallikärkiset terät pysyvät terävinä jopa 30 kertaa kauemmin kuin tavalliset sahanterät
- Sivuohjain W ⑧
 - tarkkoihin sahausiin työkappaleen reunan suunnassa - voidaan kiinnittää pohjalevyn molemmille puolille Sivuohjaimen säätö
 - vapauta nappia X
 - aseta haluamasi sahausleveys käyttämällä suuntaisohjaimen asteikkoa (käytä sahauslinjan osoitinta P 0-arvon osoittimena)
 - kiristä nappia X
- Uputussahaus ⑨
 - aseta haluamasi sahausvyvyys
 - kallista työkalua eteenpäin siten, että sahauslinjan osoitin P yhtyy haluamaasi sahauslinjaan, joka on merkitty työkappaleeseen
 - avaa alasuoja F vivusta G
 - juuri ennen kuin terä uppoo työkappaleeseen, käynnistä saha ja laske alas asteittain sen takaosaa käyttäen pohjalevyn etuosaa tukipisteenä
 - laske sahaa asteittain alaspäin vieden sitä samalla eteenpäin
 - kun terä syötty materiaaliin, vapauta vivu G
 - ! **älä koskaan vedä sahaa taaksepäin**
- Suurten levyjen sahaaminen ⑩
 - aseta levy ennen sahausta lattialle, pöydälle tai työpenkkiin
 - ! **aseta sahausvyvyys siten, että sahaus tapahtuu levyn läpi eikä osu sen tukialustaan**
 - jos sivuohjain ei salli halutun levyistä sahausta, kiinnitä suora puupala työkappaleeseen ohjaimeksi niin, että pohjalevyn oikea puoli tulee tätä ohjainta vasten
- Lisävinkkejä on tarjolla web-osoitteessa www.skileurope.com

TAKUU / YMPÄRISTÖNSUOJELU

- Pidä työkalu ja johto puhtaina (varmista erityisesti ilma-aukkojen puhtaus)
- ! **irrota liitosjohto aina puhdistuksen ajaksi pistorasiasta**
- Puhdista sahanterä välittömästi käytön jälkeen (erityisesti pinhasta ja liimasta)
- Tällä SKIL-tuotteella on takuu lakisäätteisten/kansallisten asetusten mukaisesti; takuu ei kata normaalin kulumisen eikä ylikuormituksen tai asiattoman käsittelyn aiheuttamia vahinkoja
- Jos ilmenee vika, toimita työkalu sitä osiin **purkamatta** lähimpään SKIL-huoltoon (osoitteet ja työkalun huoltokaava ovat tarjolla web-osoitteessa www.skileurope.com) ostodistoste mukaan liitettynä

- **Älä hävitä sähkötyökäluä, tarvikkeita tai pakkausta tavallisen kotitalousjätteen mukana** (koskee vain EU-maita)
 - vanhoja sähkö- ja elektroniikkalaitteita koskevan EU-direktiivin 2002/96/ETY ja sen maakohtaisten sovellusten mukaisesti käytetyt sähkötyökäluet on toimitettava ongelmajätteen keräyspisteeseen ja ohjattava ympäristöstävälliseen kierrätykseen
 - symboli (E) muistuttaa tästä, kun käytöstä poisto tulee ajankohtaiseksi

E

Sierra circular 5855

INTRODUCCIÓN

- Esta herramienta ha sido proyectada para efectuar cortes longitudinales y transversales rectos y con un ángulo de inglete hasta 45° en madera; al emplear las hojas de sierra correspondientes pueden aserrarse también materiales no férricos, materiales de construcción ligeros y materiales sintéticos
- Leer y conservar este manual

CARACTERISTICAS TECNICAS (E)

SEGURIDAD

INSTRUCCIONES GENERALES DE SEGURIDAD

¡ATENCIÓN! Lea íntegramente estas instrucciones.

En caso de no atenderse a las instrucciones de seguridad siguientes, ello puede dar lugar a una descarga eléctrica, incendio o lesión seria. El término "herramienta eléctrica" empleado en las siguientes instrucciones se refiere a su aparato eléctrico portátil, ya sea con cable de red.

GUARDAR ESTAS INSTRUCCIONES EN UN LUGAR SEGURO.

1) PUESTO DE TRABAJO

- Mantenga limpio y bien iluminado su puesto de trabajo.** El desorden y una iluminación deficiente en las áreas de trabajo pueden provocar accidentes.
- No utilice la herramienta eléctrica en un entorno con peligro de explosión, en el que se encuentren combustibles líquidos, gases o material en polvo.** Las herramientas eléctricas producen chispas que pueden llegar a inflamar los materiales en polvo o vapores.
- Mantenga alejados a los niños y otras personas de su puesto de trabajo al emplear la herramienta eléctrica.** Una distracción le puede hacer perder el control sobre el aparato.

2) SEGURIDAD ELÉCTRICA

- El enchufe del aparato debe corresponder a la toma de corriente utilizada. No es admisible modificar el enchufe en forma alguna. No emplear adaptadores en aparatos dotados con una toma de tierra.** Los enchufes sin modificar adecuados a las respectivas tomas de corriente reducen el riesgo de una descarga eléctrica.

- Evite que su cuerpo toque partes conectadas a tierra como tuberías, radiadores, cocinas y refrigeradores.** El riesgo a quedar expuesto a una sacudida eléctrica es mayor si su cuerpo tiene contacto con tierra.
- No exponga las herramientas eléctricas a la lluvia y evite que penetren líquidos en su interior.** Existe el peligro de recibir una descarga eléctrica si penetran ciertos líquidos en la herramienta eléctrica.
- No utilice el cable de red para transportar o colgar el aparato, ni tire de él para sacar el enchufe de la toma de corriente. Mantenga el cable de red alejado del calor, aceite, esquinas cortantes o piezas móviles.** Los cables de red dañados o enredados pueden provocar una descarga eléctrica.
- Al trabajar con la herramienta eléctrica en la intemperie utilice solamente cables de prolongación homologados para su uso en exteriores.** La utilización de un cable de prolongación adecuado para su uso en exteriores reduce el riesgo de una descarga eléctrica.

3) SEGURIDAD DE PERSONAS

- Esté atento a lo que hace y emplee la herramienta eléctrica con prudencia. No utilice la herramienta eléctrica si estuviese cansado, ni tampoco después de haber consumido alcohol, drogas o medicamentos.** El no estar atento durante el uso de una herramienta eléctrica puede provocarle serias lesiones.
- Utilice un equipo de protección y en todo caso unas gafas de protección.** El riesgo a lesionarse se reduce considerablemente si, dependiendo del tipo y la aplicación de la herramienta eléctrica empleada, se utiliza un equipo de protección adecuado como una mascarilla antipolvo, zapatos de seguridad con suela antideslizante, casco, o protectores auditivos.
- Evite una puesta en marcha fortuita del aparato. Cerciorarse de que el aparato esté desconectado antes conectarlo a la toma de corriente.** Si transporta el aparato sujetándolo por el interruptor de conexión/desconexión, o si introduce el enchufe en la toma de corriente con el aparato conectado, ello puede dar lugar a un accidente.
- Retire las herramientas de ajuste o llaves fijas antes de conectar la herramienta eléctrica.** Una herramienta o llave colocada en una pieza rotante puede producir lesiones al ponerse a funcionar.
- Sea precavido. Trabaje sobre una base firme y mantenga el equilibrio en todo momento.** Ello le permitirá controlar mejor la herramienta eléctrica en caso de presentarse una situación inesperada.
- Lleve puesta una vestimenta de trabajo adecuada. No utilice vestimenta amplia ni joyas. Mantenga su pelo, vestimenta y guantes alejados de las piezas móviles.** La vestimenta suelta, las joyas y el pelo largo se pueden enganchar con las piezas en movimiento.
- Siempre que sea posible utilizar unos equipos de aspiración o captación de polvo, asegúrese que éstos estén montados y que sean utilizados correctamente.** El empleo de estos equipos reduce los riesgos derivados del polvo.

4) TRATO Y USO CUIDADOSO DE HERRAMIENTAS ELÉCTRICAS

- a) **No sobrecargue el aparato. Use la herramienta prevista para el trabajo a realizar.** Con la herramienta adecuada podrá trabajar mejor y más seguro dentro del margen de potencia indicado.
- b) **No utilice herramientas con un interruptor defectuoso.** Las herramientas que no se puedan conectar o desconectar son peligrosas y deben hacerse reparar.
- c) **Saque el enchufe de la red antes de realizar un ajuste en el aparato, cambiar de accesorio o al guardar el aparato.** Esta medida preventiva reduce el riesgo a conectar accidentalmente el aparato.
- d) **Guarde las herramientas fuera del alcance de los niños y de las personas que no estén familiarizadas con su uso.** Las herramientas utilizadas por personas inexpertas son peligrosas.
- e) **Cuide sus aparatos con esmero. Controle si funcionan correctamente, sin atascarse, las partes móviles del aparato, y si existen partes rotas o deterioradas que pudieran afectar al funcionamiento de la herramienta. Si la herramienta eléctrica estuviese defectuosa haga repararla antes de volver a utilizarla.** Muchos de los accidentes se deben a aparatos con un mantenimiento deficiente.
- f) **Mantenga los útiles limpios y afilados.** Los útiles mantenidos correctamente se dejan guiar y controlar mejor.
- g) **Utilice herramientas eléctricas, accesorios, útiles, etc. de acuerdo a estas instrucciones y en la manera indicada específicamente para este aparato. Considere en ello las condiciones de trabajo y la tarea a realizar.** El uso de herramientas eléctricas para trabajos diferentes de aquellos para los que han sido concebidas puede resultar peligroso.

5) SERVICIO

- a) **Únicamente haga reparar su herramienta eléctrica por un profesional, empleando exclusivamente piezas de repuesto originales.** Solamente así se mantiene la seguridad de la herramienta eléctrica.

INSTRUCCIONES DE SEGURIDAD PARA SIERRAS CIRCULARES

PELIGRO

- **Mantenga las manos apartadas del área de corte y de la hoja; mantenga su mano auxiliar en el asa delantera** (si ambas manos están sujetando la sierra, no pueden ser cortadas por la hoja)
- **No meta la mano debajo de la pieza de trabajo** (la guarda no puede protegerle contra la hoja debajo de la pieza de trabajo)
- **Ajuste la profundidad de corte al grosor de la pieza de trabajo** (por debajo de la pieza de trabajo debe sobresalir al menos un diente de la hoja de sierra)
- **No sujete nunca la pieza que esté cortando con las manos o sobre la pierna** (es importante soportar la pieza de trabajo correctamente para minimizar la exposición del cuerpo, el atasco de la hoja o la pérdida de control)

- **Sujete la herramienta por las superficies de agarre aisladas cuando realice una operación en la que la herramienta de corte pueda hacer contacto con alambres ocultos o su propio cable de alimentación** (el contacto con un cable bajo tensión también conectará la corriente a la herramienta y dará una sacudida eléctrica al operario)
- **Al aserrar con corte longitudinal utilice siempre una guía de borde recto** (esto mejora la precisión del corte y reduce las probabilidades de que la hoja se atasque)
- **Utilice siempre hojas del tamaño y la forma apropiados para los agujeros del portaherramientas (diamante o redonda)** (las hojas que no correspondan a los accesorios de montaje de la sierra rotarán excéntricamente, causando pérdida de control)
- **No utilice arandelas o pernos de hoja dañados o incorrectos** (las arandelas y el perno de la hoja fueron diseñados especialmente para su sierra, para proporcionar un rendimiento y una seguridad de funcionamiento óptimos)

ACCIÓN DE RETROCESO - CAUSAS

- La acción de retroceso es una reacción repentina producida en una hoja de sierra mal alineada, atascada o enganchada, que causa que una sierra incontrolada se levante y salga de la pieza de trabajo y salte hacia el operario
- Cuando la hoja se engancha o queda atrapada debido a que el corte de la sierra se cierra, la hoja se atasca y la reacción del motor impulsa la unidad rápidamente hacia atrás y contra el operador
- Si la hoja se tuerce o queda mal alineada en el corte, los dientes del borde posterior de la sierra pueden clavarse en la superficie superior de la madera haciendo que la hoja se salga del corte y salte hacia atrás y contra el operador

ACCIÓN DE RETROCESO - PREVENCIÓN POR PARTE DEL OPERARIO

- La acción de retroceso es causada por la utilización incorrecta de la herramienta y los procedimientos o condiciones operativas incorrectas y puede evitarse tomando las precauciones apropiadas, que se describen a continuación
- **Mantenga la sierra bien agarrada con ambas manos y posicione los brazos para resistir las fuerzas de la acción de retroceso; posicione el cuerpo a cualquier lado de la hoja, pero no alineado con la hoja** (la acción de retroceso podría causar que la sierra saltara hacia atrás, pero las fuerzas de la acción de retroceso pueden ser controladas por el operario si toma las precauciones apropiadas)
 - **Cuando la hoja está atascada o cuando se interrumpe un corte por cualquier razón, deje de pulsar el gatillo y sujete la sierra en el material hasta que la hoja se pare completamente; nunca intente retirar la hoja de la pieza de trabajo ni tire de la sierra mientras la hoja está en movimiento o puede producirse una acción de retroceso** (investigue y tome medidas correctivas para eliminar la causa del atasco de la hoja; evite cortar clavos o tornillos)

- **Cuando vuelva poner en marcha una hoja en la pieza de trabajo, centre la hoja de la sierra en el corte y compruebe que los dientes de la sierra no estén enganchados en el material** (si la hoja de la sierra está atascada, puede salirse o producir un acción de retroceso desde la pieza de trabajo cuando la sierra se vuelva a poner en marcha)
- **Soporte los paneles grandes para minimizar el riesgo de que la hoja se enganche y produzca una acción de retroceso** (los paneles tienden a hundirse bajo su propio peso, por lo tanto deberían colocarse soportes debajo del panel en ambos lados, cerca de la línea del corte y del borde del panel)
- **No utilice una hoja embotada o dañada** (las hojas sin afilar o colocadas incorrectamente producen un corte estrecho que causa fricción excesiva, enganche y acción de retroceso en la hoja)
- **Las palancas de ajuste de profundidad y biselado de la hoja deben estar apretadas y seguras antes de realizar el corte** (si el ajuste de la hoja cambia durante el corte, puede causar atascos y acción de retroceso en la hoja)
- **Vaya con cuidado extra cuando realice un corte profundo en paredes existentes u otras áreas ciegas** (la hoja que sobresale puede cortar objetos que pueden causar acción de retroceso)

¡ATENCIÓN!

- **Compruebe que la guarda inferior se cierre correctamente antes de cada utilización**
- **No haga funcionar la sierra si la guarda inferior no se mueve libremente y no se cierra instantáneamente**
- **No sujete nunca la guarda inferior en la posición de apertura**
- Si la sierra cae accidentalmente, la guarda inferior puede doblarse, por lo tanto levante la guarda inferior con el asa de retracción y asegúrese de que se mueva libremente y que no haga contacto con la hoja ni ninguna otra pieza en todos los ángulos y profundidades de corte
- **Compruebe el funcionamiento del resorte de la guarda inferior; si la guarda y el resorte no funcionan correctamente, se les debe prestar servicio antes de utilizarlos** (es posible que la guarda no funcione bien debido a piezas dañadas, acumulación de residuos pegajosos y otros desechos)
- **La guarda inferior debe retraerse manualmente solamente para cortes especiales como cortes profundos y cortes compuestos; levante la guarda inferior retrayendo el asa y tan pronto como la hoja entre en el material, suelte la guarda inferior** (para todos los otros tipos de aserrado, la guarda inferior debería funcionar automáticamente)
- **Compruebe siempre que la guarda inferior cubra la hoja antes de colocar la sierra sobre un banco de trabajo o en el suelo** (una hoja sin protección que no esté completamente parada puede desplazarse hacia atrás cortando todo lo que encuentre a su paso; sea consciente del tiempo que la hoja tarda en pararse completamente después de que se ha dejado de pulsar el interruptor de activación)
- Evite el daño que puedan ocasionar los tornillos, clavos y otros elementos en la pieza de trabajo; quítelos antes de hacer cortes
- Ponga atención al guardar su herramienta de que el motor está apagado y las partes móviles están parados
- Utilizar cables de prolongación completamente enrollados y seguros, con una capacidad de 16 Amp.
- En caso de bloqueo o de interferencias eléctricas o mecánicas, desconectar la herramienta inmediatamente y sacar el enchufe del contacto
- SKIL únicamente puede garantizar un funcionamiento correcto de la herramienta al emplear accesorios originales
- Utilice únicamente accesorios cuyos revoluciones admisibles sean como mínimo iguales a las revoluciones en vacío máximas de la herramienta
- Nunca utilice su herramienta sin la capa de protección original sistemática
- Es recomendable que esta herramienta no se debe ser manejada por personas menores de la edad de 16 años
- El nivel de ruido, con la herramienta trabajando, podrá sobrepasar 85 dB(A); usar protectores auditivos
- Si llega a dañarse o cortarse el cable eléctrico durante el trabajo, no tocar el cable, sino extraer inmediatamente el enchufe de la red
- No utilizar la herramienta cuando el cable esté dañado; hágalo cambiar por una persona calificada
- Compruebe siempre que la tensión de alimentación es la misma que la indicada en la placa de características de la herramienta (las herramientas de 230V o 240V pueden conectarse también a 220V)
- Esta herramienta no es adecuada para hacer cortes con agua
- Al desconectar su sierra circular, nunca frene la rotación de la hoja empujando algo contra ella lateralmente
- No utilice nunca hojas de sierras circulares de HSS
- Nunca utilice discos de amolar/tronzar con esta herramienta
- No hacer cortes en materia que contenga amianto
- Utilizar una mascarilla anti-polvo al trabajar materiales que producen polvo nocivo para la salud; antes de realizar un trabajo, infórmese sobre los materiales con los que va a trabajar
- No intente cortar piezas extremadamente pequeñas
- Antes de empezar a cortar, aparte todos los obstáculos que haya encima y debajo de la línea de corte
- No trabaje con herramientas a una altura por encima de la cabeza
- Use únicamente mesas de serrar provistas de un interruptor que prevenga el arranque del motor desoués de que se interrumpa la corriente
- Use únicamente mesas de serrar provistas de una guía de corte
- **Desenchufar siempre la herramienta antes de realizar cualquier ajuste o cambiar algún accesorio**

USO

- Cambio de la hoja de sierra ③
 - coger la llave hexagonal A del depósito B

- pulse el botón de cierre de husillo C y manténgalo pulsado mientras quita el tornillo de hoja D con la llave hexagonal
- ! **apriete el botón de cierre de husillo C solamente cuando la herramienta se haya detenido**
- suelte el botón de cierre de husillo C
- retire la brida E
- abra la guarda inferior F utilizando la palanca G y sujétela mientras cambia la hoja de sierra con los dientes de la sierra y la flecha impresa en la hoja apuntando en la misma dirección que la flecha mostrada en la guarda inferior
- suelte la guarda inferior F
- monte la brida E
- ! **asegúrese de que las superficies de enganche H de las bridas estén perfectamente limpias y estén encarradas a la hoja**
- pulse el botón de cierre de husillo C y manténgalo pulsado mientras aprieta el tornillo de hoja con la llave hexagonal dando 1/8 de giro después de que esté apretado al máximo con los dedos (esto asegura que la hoja de la sierra resbale cuando encuentra resistencia excesiva, lo que reduce la sobrecarga del motor y el retroceso de la sierra)
- suelte el botón de cierre de husillo C
- Ajuste de la profundidad de corte (0-55 mm) ④
 - para obtener una óptima calidad de corte, la hoja no debe de profundizar más de 3 mm en la pieza de trabajo
 - aflojar la palanca J
 - levantar/bajar la base K hasta la profundidad de corte deseada, que se encuentra indicada en la escala, usando para ello el indicador L
 - apretar la palanca J
- Ajuste del ángulo de corte (0-45°) ⑤
 - aflojar el botón M
 - inclinar la herramienta hasta el ángulo de corte deseado, que se encuentra indicado en la escala, usando para ello el indicador N
 - apretar el botón M
- ! **para cortes biselados, la profundidad de corte se corresponde con el valor en la escala de profundidad de corte**
- Comprobación del ángulo de corte a 90° ⑤
 - ajustar la base K para una máxima profundidad de corte ④
 - ajustar el ángulo de corte a 0°
 - comprobar el ángulo de corte de 90° entre la hoja y la base con un cartabón
- Visor ajustable de la línea de corte P ⑥a
 - para guiar la herramienta a lo largo de la línea de corte deseada, márquela en la pieza de trabajo
 - para un corte recto de 0° o para biselar a 45°, use el indicador de la línea adecuado
- ! **la parte ancha de la base debe de reposar en el soporte de la pieza de trabajo**
- puede ajustarse para permitirle escoger si el material de desecho está en el lado interno o externo de la sierra ⑥b
- ! **la anchura de corte viene determinada por el ancho de los dientes de la hoja y no por el ancho del cuerpo de la sierra**
- ! **realice siempre cortes de prueba para verificar la línea actual de corte**
- Aspiración de polvo
 - monte el aspirador a la extensión Q ②
- ! **nunca permita que la media del aspirador interfiera con la chapa protectora o con la operación de corte**
- se puede utilizar también una bolsa de polvo (accesorio SKIL 2610387402)
- Manejo de la herramienta ②
 - enchufar a la red
 - siempre mantener la empuñadura R firmemente con una mano y la empuñadura S firmemente con la otra mano
 - colocar la herramienta con la parte delantera de la misma tendida sobre la pieza de trabajo
- ! **asegurese de que los dientes de la hoja no están encalados en la pieza de trabajo**
- poner en marcha su herramienta primero apretando el botón T (= interruptor de seguridad que no puede bloquearse) y luego tirando del gatillo V
- ! **la sierra debe detener su velocidad máxima antes de que usted pueda realizar el trabajo de corte**
- la chapa protectora F se abre automáticamente cuando la hoja de sierra penetra en la pieza de trabajo (abrir la chapa protectora manualmente con la palanca G solamente para cortes particulares como cortes de emersión)
- no forzar la herramienta; trabaje con presión ligera y continua
- después de haber realizado el corte, pare su herramienta soltando el gatillo V
- ! **asegurese que la sierra esté completamente parada antes de que la levante de la pieza de trabajo**

CONSEJOS DE APLICACION

- Poner siempre el lado bueno de la pieza de trabajo hacia abajo, para asegurar un mínimo astillado
- Utilice únicamente hojas de sierra afiladas del modelo adecuado ⑦
 - cuanto más dientes, más lisado el corte
 - hojas de sierra con dientes de metal duro (Widia) se mantienen 30 veces más afiladas que las hojas normales
- Guía paralela W ⑧
 - para hacer cortes exactos a lo largo de una esquina de la pieza de trabajo
 - puede insertarse en ambos lados de la base
- Ajuste de la guía paralela
 - desaflojar la tuerca X
 - ajustar el ancho de corte deseado, usando para ello la escala de la guía paralela (utilice el visor P de la línea de corte como 0-referencia)
 - apretar la tuerca X
- Cortes de emersión directa ⑨
 - fijar la profundidad de corte deseada

- inclinar la herramienta hacia delante con el visor P de la línea de corte alineado con la línea de corte deseada, y marcada en la pieza de trabajo
- abrir la chapa protectora F con la palanca G
- justo antes de que la sierra penetre en la pieza de trabajo, desvíe la herramienta y baje gradualmente la parte delantera de la herramienta, usando el frontal de la base como punto de apoyo
- mover la herramienta gradualmente, tanto hacia abajo, como hacia adelante
- tan pronto como la hoja entre en el material, suelte la palanca G

! **nunca empuja la herramienta hacia atrás**

- Cortar tableros largos ⑩
- sostener el tablero, bien en el suelo, mesa o banco de trabajo

! **fijar la profundidad de corte de tal manera, que usted pueda cortar a través del tablero y no a través del soporte**

- en el caso de que la guía paralela no permita la anchura de corte deseada, empalme o clave una pieza de madera recta a la pieza de trabajo como guía, y use la parte derecha de la base contra esta guía
- Para más consejos vea www.skileurope.com

GARANTÍA / AMBIENTE

- Mantenga limpio el cable eléctrico y la herramienta (sobre todo las ranuras de ventilación)
- ! **desenchufar la herramienta antes de limpiar**
- Limpie la hoja de sierra después de cada uso (especialmente de resina y cola)
- Para las herramientas SKIL brindamos una garantía de acuerdo con las prescripciones legales específicas de los diferentes países; los daños ocasionados por desgaste natural, sobrecarga o manejo inadecuado serán excluidos de garantía
- En caso de reclamación, envíe la herramienta **sin desmontar** junto con la factura al suministrador de la misma o al servicio técnico de SKIL más próximo (los nombres así como el despiece de piezas de la herramienta figuran en www.skileurope.com)
- **No deseche las herramientas eléctricas, los accesorios y embalajes junto con los residuos domésticos** (sólo para países de la Unión Europea)
 - de conformidad con la Directiva Europea 2002/96/CE sobre residuos de aparatos eléctricos y electrónicos y su aplicación de acuerdo con la legislación nacional, las herramientas eléctricas cuya vida útil haya llegado a su fin se deberán recoger por separado y trasladar a una planta de reciclaje que cumpla con las exigencias ecológicas
 - símbolo ⑪ llamará su atención en caso de necesidad de tirarlas

Serra circular

5855

INTRODUÇÃO

- A ferramenta é determinada para realizar em madeira, cortes longitudinais e transversais com decurso de corte recto e ângulo de chanfradura de 45°; com as respectivas lâminas de serra, também é possível serrar metais não ferrosos, materiais leves e plásticos
- Leia e guarde este manual de instruções

CARACTERÍSTICAS TÉCNICAS ①

SEGURANÇA

INSTRUÇÕES GERAIS DE SEGURANÇA

ATENÇÃO! Leia todas as instruções. O desrespeito das instruções a seguir podem causar choque eléctrico, incêndio e/ou graves lesões. O termo "ferramenta eléctrica" utilizado a seguir refere-se a ferramentas eléctricas com conexão a rede (com cabo). **GUARDE BEM ESTAS INSTRUÇÕES.**

1) ÁREA DE TRABALHO

- Mantenha a sua área de trabalho limpa e arrumada.** Desordem e áreas de trabalho com fraca iluminação podem causar acidentes.
- Não trabalhar com a ferramenta eléctrica em áreas com risco de explosão, nas quais se encontrem líquidos, gases ou pós inflamáveis.** Ferramentas eléctricas produzem faíscas que podem provocar a ignição de pó e vapores.
- Mantenha crianças e outras pessoas afastadas da ferramenta eléctrica durante o trabalho com a ferramenta.** Distrações podem causar a falta de controle sobre o aparelho.

2) SEGURANÇA ELÉCTRICA

- A ficha da ferramentas eléctricas devem caber na tomada. A ficha não deve ser modificada de modo algum. Não utilize quaisquer fichas de adaptação junto com ferramentas eléctricas ligadas à terra.** Fichas sem modificações e tomadas adequadas reduzem o risco de choques eléctricos.
- Evite que o corpo entre em contacto com superfícies ligadas à terra, como por exemplo tubos, radiadores, fogões e geladeiras.** Há um risco elevado de choques eléctricos, caso o corpo for ligado à terra.
- A ferramenta eléctrica não deve ser exposta à chuva nem humidade.** A penetração de água na ferramenta eléctrica aumenta o risco de choques eléctricos.
- O cabo do aparelho não deve ser utilizado para o transporte, para pendurar o aparelho, nem para puxar a ficha da tomada. Mantenha o cabo afastado de calor, óleo, cantos afiados ou partes em movimento do aparelho.** Cabos danificados ou torcidos aumentam o risco de choques eléctricos.

e) **Ao trabalhar com a ferramenta eléctrica ao ar livre, use um cabo de extensão apropriado para áreas externas.** O uso de um cabo apropriado para áreas externas reduz o risco de choques eléctricos.

3) SEGURANÇA DE PESSOAS

- a) **Esteja alerta, observe o que está a fazer, e tenha prudência ao trabalhar com a ferramenta eléctrica. Não use a ferramenta eléctrica se estiver fatigado ou sob a influência de drogas, álcool ou medicamentos.** Um momento de falta de atenção durante a operação da ferramenta eléctrica pode causar graves lesões.
- b) **Usar um equipamento pessoal de protecção. Sempre utilizar um óculos de protecção.** Equipamento de segurança, como por exemplo, máscara de protecção contra pó, sapatos de segurança anti-derrapantes, capacete de segurança ou protecção auricular, de acordo com o tipo e aplicação da ferramenta eléctrica, reduzem o risco de lesões.
- c) **Evite um accionamento involuntário. Assegure-se de que o interruptor esteja na posição “desligar”, antes de introduzir a ficha na tomada.** Manter o dedo sobre o interruptor ao transportar a ferramenta eléctrica ou conectar o aparelho já ligado à rede, pode levar a graves acidentes.
- d) **Remover chaves de ajustes ou chaves de fenda, antes de ligar a ferramenta eléctrica.** Uma chave de fenda ou chave de ajuste que se encontre numa parte móvel do aparelho, pode levar a lesões.
- e) **Não se sobrestime. Mantenha uma posição firme e mantenha sempre o equilíbrio.** Desta forma poderá ser mais fácil controlar o aparelho em situações inesperadas.
- f) **Use roupa apropriada. Não use roupa larga ou jóias. Mantenha o cabelo, roupa e luvas afastadas de partes em movimento.** Roupas largas, jóias ou cabelos longos podem ser agarradas por partes em movimento.
- g) **Se for prevista a montagem de dispositivos de aspiração de pó e de dispositivos de recolha, assegure-se de que estão conectados e que sejam utilizados de forma correcta.** A utilização destes dispositivos reduz os riscos provocados por pó.
- ### 4) USO E TRATAMENTO DE FERRAMENTAS ELÉCTRICAS
- a) **Não sobrecarregue a ferramenta eléctrica. Use para o seu trabalho a ferramenta eléctrica correcta.** A ferramenta correcta realizará o trabalho de forma melhor e mais segura dentro da faixa de potência indicada.
- b) **Não utilize a ferramenta eléctrica se o interruptor não puder ser ligado nem desligado.** Qualquer ferramenta eléctrica que não possa ser controlada através do interruptor de ligar-desligar, é perigosa e deve ser reparada.
- c) **Puxar a ficha da tomada antes de efectuar ajustes no aparelho, substituir acessórios ou armazenar a ferramenta eléctrica.** Esta medida de segurança evita que a ferramenta eléctrica seja ligada acidentalmente.

- d) **Guarde ferramentas eléctricas que não estiverem sendo utilizadas, for a do alcance de crianças. Não permita que o aparelho seja utilizado por pessoas não familiarizadas com o mesmo ou que não tenham lido estas instruções.** Ferramentas eléctricas são perigosas nas mãos de pessoas sem treinamento.
- e) **Trate a sua ferramenta eléctrica com cuidado. Verifique se as partes móveis do aparelho funcionam perfeitamente e não emperram, se há peças quebradas ou danificadas, que possam influenciar o funcionamento do aparelho. Peças danificadas devem ser reparadas antes da utilização do aparelho.** Muitos acidentes tem como causa uma manutenção insuficiente das ferramentas eléctricas.
- f) **Mantenha as ferramentas de corte sempre afiadas e limpas.** Ferramentas de cortes devidamente tratadas, com cantos afiados travam com menos frequência e podem ser controladas com maior facilidade.
- g) **Use a ferramenta eléctrica, os acessórios os bits da ferramenta etc., de acordo com estas instruções e da maneira determinada para este tipo especial de ferramenta eléctrica. Considere também as condições de trabalho e o trabalho a ser efectuado.** A utilização da ferramenta eléctrica para outros fins que os previstos, pode resultar em situações perigosas.

5) SERVIÇO

- a) **A sua ferramenta eléctrica só deve ser reparada por pessoal qualificado e só devem ser colocadas peças sobressalentes originais.** Desta forma é assegurada a segurança da ferramenta eléctrica.

INSTRUÇÕES DE SEGURANÇA PARA SERRAS CIRCULARES

PERIGO

- **Mantenha as mãos afastadas da área de corte e da lâmina; mantenha a segunda mão na pega dianteira** (se ambas as mãos estiverem a segurar a serra, não poderá cortá-las com a lâmina)
- **Não coloque a mão por baixo da peça de trabalho** (o sistema de protecção não o protege da lâmina por baixo da peça de trabalho)
- **Ajuste a profundidade de corte à espessura do material** (deve estar visível abaixo do material menos do que um dente completo da lâmina de serra)
- **Nunca segure a peça a cortar com as mãos nem a coloque sobre as pernas** (é importante apoiar devidamente a peça de trabalho de forma a minimizar o perigo para o corpo, a possibilidade de a lâmina prender ou de perder o controlo da ferramenta)
- **Segure a ferramenta pelas pegas isoladas quando estiver a executar uma operação em que a ferramenta de corte possa tocar em fios ocultos ou cortar o seu próprio fio** (o contacto com um fio condutor de corrente fará com que as partes metálicas expostas da ferramenta passem elas próprias a conduzir corrente e o operador apanhe um choque)
- **Quando estiver a serrar ao comprido, use sempre uma guia paralela** (a guia aumenta a exactidão do corte e reduz a possibilidade de a lâmina prender)

- **Use sempre lâminas com orifícios de montagem no eixo que tenham o tamanho e a forma correctas (em losango ou circulares)** (as lâminas que não encaixem devidamente no eixo da serra funcionarão descentradas, provocando perda de controlo)
- **Nunca use anilhas ou parafusos da lâmina que estejam danificados ou que não sejam os adequados** (as anilhas e o parafuso da lâmina foram especificamente concebidos para esta serra, tendo em vista um desempenho e uma segurança de utilização máximos)

RESSALTO - CAUSAS

- O ressalto é uma reacção súbita a uma lâmina presa ou desalinhada que faz com que a serra descontrolada saia da peça de trabalho e recue na direcção do operador
- Quando o corte estreita a ponto de prender completamente a lâmina, esta pára e a reacção do motor faz recuar rapidamente a unidade na direcção do operador
- Se a lâmina torcer ou perder o alinhamento no corte, os dentes de trás da lâmina podem penetrar na superfície superior da madeira fazendo com que a lâmina saia do corte e ressalte na direcção do operador

RESSALTO - PREVENÇÃO DO OPERADOR

O ressalto resulta de uma má utilização da ferramenta e/ou de procedimentos de utilização ou condições incorrectos e pode ser evitado tomando as devidas precauções, conforme a seguir indicado

- **Mantenha a serra firmemente segura com ambas as mãos e posicione os braços para resistir à força do ressalto; posicione o corpo de um dos lados da lâmina, e não na linha de corte da mesma** (um ressalto poderá fazer com que a serra recue, no entanto, a força do ressalto pode ser controlada pelo operador, se forem tomadas as devidas precauções)
- **Quando a lâmina começar a prender, ou quando interromper um corte por qualquer razão, solte o gatilho e mantenha a serra estacionária no material até a lâmina parar completamente; nunca tente retirar a serra da peça ou puxá-la para trás com a lâmina em movimento, caso contrário poderá ocorrer um ressalto** (investigue e tome as medidas de correcção necessárias para evitar que a lâmina prenda; evite cortar pregos ou parafusos)
- **Quando voltar a colocar uma serra numa peça de trabalho, centre a lâmina da serra no corte e certifique-se de que os dentes da serra não estão enterrados no material** (se a lâmina da serra estiver a prender, a serra poderá levantar ou ressaltar da peça quando for ligada)
- **Apoie painéis grandes para minimizar o risco de a lâmina prender e a serra ressaltar** (os painéis grandes tendem a cair sob o seu próprio peso; devem ser colocados apoios sob o painel de ambos os lados, junto à linha de corte e junto ao rebordo do painel)
- **Não use uma lâmina que esteja cega ou danificada** (lâminas não afiadas ou incorrectamente montadas produzem um corte estreito, provocando fricção excessiva, fazendo com que a lâmina prenda e a serra ressalte)

- **As alavancas de definição da profundidade da lâmina e de ajuste do ângulo têm de estar bem fixas antes de se iniciar o corte** (se o ajuste da lâmina se alterar durante o corte, isso pode fazer com que a lâmina prenda e a serra ressalte)
- **Tome especial cuidado ao fazer cortes profundos em paredes ou outras áreas cegas** (a lâmina pode cortar objectos que provoquem um ressalto)

ATENÇÃO!

- **Certifique-se de que a protecção inferior fecha devidamente antes de cada utilização**
- **Não utilize a serra caso a protecção inferior não funcione livremente nem feche instantaneamente**
- **Nunca aperte nem prenda a protecção inferior aberta**
- Se deixar cair a serra por acidente, a protecção inferior poderá ficar deformada; levante a protecção inferior com a pega retráctil e certifique-se de que funciona livremente e não toca na lâmina nem em qualquer outra peça, qualquer que seja o ângulo ou a profundidade do corte
- **Verifique o funcionamento da mola da protecção inferior; se a protecção e a mola não estiverem a funcionar correctamente, deverá ser feito o serviço à ferramenta antes da utilização** (a protecção inferior poderá ter um funcionamento lento em consequência de peças danificadas, depósitos viscosos ou acumulação de detritos)
- **A protecção inferior deve ser retraída manualmente apenas para cortes especiais como cortes profundos e cortes compostos; levante a protecção inferior retraindo a pega e assim que a lâmina penetrar no material a protecção inferior deverá ser libertada** (para todos os outros tipos de serração, a protecção inferior deve funcionar automaticamente)
- **Certifique-se sempre de que a protecção inferior está a cobrir a lâmina antes de baixar a serra sobre a bancada ou o chão** (uma lâmina desprotegida a funcionar por inércia fará com que a serra recue, cortando o que estiver na sua direcção; tenha em conta o tempo que a lâmina leva a parar depois de libertado o interruptor)
- Evite danificar a ferramenta em parafusos, pregos ou outros elementos contidos na peça a trabalhar; remova-os antes de começar a cortar
- Quando guardar a ferramenta, deverá certificar-se que o motor esta devidamente parado assim como todas as peças rotativas
- Utilizar extensões completamente desenroladas com uma capacidade de 16 Amp.
- Em caso de bloqueio ou de anomalias eléctricas ou mecânicas, desligue imediatamente a ferramenta e a ficha da tomada
- A SKIL só pode garantir um funcionamento perfeito da ferramenta, quando utilizada com os acessórios originais
- Utilize apenas acessórios com um número de rotação admissível no mínimo tão alto como o mais alto número de rotação em va-zio da ferramenta
- Nunca utilize a ferramenta sem o sistema de protecção original
- Não deverá esta ferramenta ser manuseada por pessoas com idade inferior a 16 anos

- O nível de ruído durante o trabalho pode exceder 85 dB(A); utilize protectores auriculares
- Caso o fio for danificado ou cortado durante o trabalho, não toque no fio, mas tire imediatamente a ficha da tomada
- Não utilizar ferramenta caso o fio esteja danificado; mandando-o substituir por pessoal qualificado
- Certifique-se sempre de que a tensão de alimentação está de acordo com a tensão indicada na placa de identificação da ferramenta (ferramentas com a indicação de 230V ou 240V também podem ser ligadas a uma fonte de 220V)
- Esta ferramenta não é aconselhada para cortar com água
- Depois de desligar a sua serra circular, nunca pare a rotação da lâmina exercendo pressão lateral sobre a mesma
- Nunca utilize lâminas para serras circulares em HSS
- Nunca utilize discos de rebarbe/corte com esta ferramenta
- Não corte materiais que contém amianto
- Usar luvas protectoras, óculos de protecção, roupas justas e uma protecção para cabelos (no caso de cabelos compridos)
- Não tente cortar peças de trabalho extremamente pequenas
- Retire todos os obstáculos que se encontram no topo superior e na parte inferior da peça a cortar antes de iniciar o trabalho
- Não trabalhe em suspensão com a ferramenta
- Apenas utilize mesas de serrar munidas de interruptor de voltagem que previna o reiniciar do motor depois de interrupção de voltagem
- Apenas utilize mesas de serrar munidas de guia de corte
- **Desligue sempre a ficha da tomada antes de proceder a qualquer ajustamento ou troca de acessório**

MANUSEAMENTO

- Troca de lâminas da serra ③
 - tire a chave hexagonal A do alojamento B
 - pressione o botão C de fecho do veio e mantenha-o nessa posição, enquanto remove a porca da lâmina D com a chave hexagonal
 - ! **pressione o botão C de fecho do veio sómente quando a ferramenta estiver parada**
 - solte o botão C de fecho do veio
 - remova o anel E
 - abra a protecção inferior F utilizando a alavanca G e mantenha-a nessa posição, enquanto troca a lâmina com a chave da lâmina da serra com os dentes da serra e a seta imprimida na lâmina apontada na mesma direcção da seta da protecção inferior
 - solte a protecção inferior F
 - aplique o anel E
 - ! **certifique-se que as superfícies de aperto dos anéis H estão perfeitamente limpas e em frente da lâmina**

- pressione o botão C de fecho do veio e mantenha-o nessa posição, enquanto aperta a porca da lâmina com a chave hexagonal 1/8 de volta após ter apertado à mão (a lâmina patina quando encontra demasiada resistência reduzindo sobrecargas do motor e ressaltos da lâmina)
- solte o botão C de fecho do veio
- Ajuste da profundidade de corte (0-55 mm) ④
 - para um corte de óptima qualidade a lâmina da serra não deverá exceder mais de 3 mm abaixo da peça de trabalho
 - solte a alavanca J
 - eleve/abaixe a base K até atingir na escala a profundidade de corte desejada utilizando o indicador L
 - aperte a alavanca J
- Ajuste do ângulo de corte (0-45°) ⑤
 - solte o botão M
 - incline a ferramenta até atingir na escala o ângulo de corte desejado utilizando o indicador N
 - aperte o botão M
 - ! **quando cortar de ângulo, a profundidade de corte não está de acordo com o valor indicado na escala de profundidade de corte**
- Verificação do ângulo de corte de 90° ⑤
 - ajuste e aperte a base K na profundidade de corte máxima ④
 - ajuste e aperte o ângulo de corte a 0°
 - verifique o ângulo de 90° com um esquadro entre a lâmina e o fundo da base
- Visor ajustável da linha de corte P ⑥a
 - para guiar a ferramenta ao longo da linha de corte marcada na peça a trabalhar
 - para um corte direito a 0° ou um corte de ângulo a 45° utilize a linha indicadora relativa
 - ! **a parte larga da base deve estar assente na parte apoiada da peça a trabalhar**
 - pode ser ajustado para permitir determinar se o material de desperdício deverá ficar do lado de dentro ou do lado de fora da lâmina ⑥b
 - ! **o tamanho de corte é determinado pelo tamanho dos dentes da lâmina e não pelo tamanho do corpo da lâmina**
 - ! **faça sempre cortes de ensaio para verificar a linha de corte**
- Aspiração de pó
 - aplique o aspirador à extensão Q ②
 - ! **nunca deixe que o tubo do aspirador interfira com a protecção inferior ou com a operação de corte**
 - pode-se utilizar também um saco de pó (acessório SKIL 2610387402)
- Serviço da ferramenta ②
 - ligue a ficha na tomada
 - sempre segure com firmeza o punho R com uma mão e o punho S com a outra mão
 - coloque a ferramenta com a parte frontal da base bem assente sobre na peça a trabalhar
 - ! **certifique-se que os dentes não estão em contacto com a peça a trabalhar**
 - ligue a ferramenta premindo primeiro o botão T (= interruptor de segurança que não pode ser trancado) e depois apertando o gatilho V

! a ferramenta deverá trabalhar na velocidade máxima, antes da lâmina da serra penetrar na peça a trabalhar

- a protecção inferior F abre automaticamente quando a lâmina da serra penetra na peça a trabalhar (abra a protecção inferior manualmente utilizando a alavanca G somente para cortes especiais tal como cortes profundos)
- não force a ferramenta; pressione leve e continuamente
- depois de completar o trabalho, desligue a ferramenta soltando o gatilho V

! certifique-se que a lâmina está completamente parada antes de retirar a ferramenta da peça a trabalhar

CONSELHOS DE APLICAÇÃO

- Coloque sempre a peça a trabalhar com a face virada para baixo assegurando assim o mínimo de estilhaçamento
- Use sempre lâminas da serra devidamente afiadas e do tipo correcto ⑦
 - a qualidade de corte melhora consoante o número de dentes
 - lâminas c/ pastilhas Widia mantêm-se afiadas 30 vezes mais do que as lâminas normais
- Guia paralela W ⑧
 - para fazer cortes exactos ao longo do bordo lateral da peça a trabalhar
 - pode ser introduzida em qualquer dos lados da baseAjuste da guia paralela
 - solte o botão X
 - ajuste para a extensão de corte desejada utilizando a escala da guia paralela (use o visor P da linha de corte como 0-referência)
 - aperte o botão X
- Cortes profundos ⑨
 - regule a profundidade de corte desejada
 - incline a ferramenta para a frente com o visor P da linha de corte alinhado com a linha de corte desejada marcada na peça a trabalhar
 - abra a protecção inferior F com a alavanca G
 - antes da lâmina penetrar na peça a trabalhar, ligue a ferramenta e gradualmente baixe o dorso da ferramenta utilizando a parte frontal da base como ponto de dobradiça
 - gradualmente incline a ferramenta para baixo e ao mesmo tempo para a frente
 - assim que a lâmina penetrar no material, solte a alavanca G
- ! nunca puxe a ferramenta para trás
- Corte de grandes painéis ⑩
 - apoia o painel próximo do corte no chão, na mesa ou na bancada de trabalho
- ! ajuste a profundidade de corte de modo a cortar a través do painel e não a través do apoia
 - caso o guia paralela não permita a largura de corte desejado, fixe uma tira de madeira sobre a peça a trabalhar como um guia, e conduza o lado direito da ferramenta contra esta guia
- Para mais sugestões consulte www.skileurope.com

GARANTIA / AMBIENTE

- Mantenha a ferramenta e o fio sempre limpos (especialmente as ranhuras de respiração)
 - ! desligar a ferramenta da fonte de corrente antes de limpar
- Limpe a lâmina logo após a sua utilização (especialmente de resina ou cola)
- Prestamos garantia para ferramentas SKIL de acordo com as disposições legais/específicas do país; avarias devidas ao desgaste normal, sobrecarga ou má utilização não estão abrangidas pela garantia
- Em caso de reclamação, enviar a ferramenta, completa (sem desmontar), acompanhada da factura, ao fornecedor ou ao serviço de assistência técnica SKIL mais próximo (os endereços assim como a mapa de peças da ferramenta estão mencionados no www.skileurope.com)
- Não deite ferramentas eléctricas, acessórios ed embalagem no lixo doméstico (apenas para países da UE)
 - de acordo com a directiva europeia 2002/96/CE sobre ferramentas eléctricas e electrónicas usadas e a transposição para as leis nacionais, as ferramentas eléctricas usadas devem ser recolhidas em separado e encaminhadas a uma instalação de reciclagem dos materiais ecológica
 - símbolo ⑪ lhe avisará em caso de necessidade de arranjar-las

I

Sega circolare

5855

INTRODUZIONE

- L'utensile è idoneo per l'esecuzione di tagli longitudinali e trasversali nel legno realizzando tagli dritti e tagli con angolazioni fino a 45°; utilizzando rispettive lame, è possibile tagliare anche metalli non ferrosi, materiali leggeri da costruzione e materiali artificiali
- Leggere e conservare questo manuale di istruzione

CARATTERISTICHE TECNICHE ①

SICUREZZA

ISTRUZIONI GENERALI DI SICUREZZA

ATTENZIONE! È assolutamente necessario leggere attentamente tutte le istruzioni. Eventuali errori nell'adempimento delle istruzioni qui di seguito riportate potranno causare scosse elettriche, incendi e/o lesioni gravi. Il termine qui di seguito utilizzato «utensile elettrico» si riferisce ad utensili elettrici alimentati dalla rete (con linea di allacciamento). CUSTODIRE ACCURATAMENTE LE PRESENTI ISTRUZIONI.

1) POSTO DI LAVORO

a) **Mantenere pulito ed ordinato il posto di lavoro.**

Il disordine e le zone di lavoro non illuminate possono essere fonte di incidenti.

- b) **Evitare d'impiegare l'utensile in ambienti soggetti al rischio di esplosioni nei quali si trovino liquidi, gas o polveri infiammabili.** Gli utensili elettrici producono scintille che possono far infiammare la polvere o i gas.
- c) **Mantenere lontani i bambini ed altre persone durante l'impiego dell'utensile elettrico.** Eventuali distrazioni potranno comportare la perdita del controllo sull'utensile.
- 2) SICUREZZA ELETTRICA**
- a) **La spina per la presa di corrente dovrà essere adatta alla presa. Evitare assolutamente di apportare modifiche alla spina. Non impiegare spine adattatrici assieme ad utensili con collegamento a terra.**
Le spine non modificate e le prese adatte allo scopo riducono il rischio di scosse elettriche.
- b) **Evitare il contatto fisico con superfici collegate a terra, come tubi, riscaldamenti, cucine elettriche e frigoriferi.** Sussiste un maggior rischio di scosse elettriche nel momento in cui il corpo è messo a massa.
- c) **Custodire l'utensile al riparo dalla pioggia o dall'umidità.** L'eventuale infiltrazione di acqua in un utensile elettrico va ad aumentare il rischio d'insorgenza di scosse elettriche.
- d) **Non usare il cavo per scopi diversi da quelli previsti al fine di trasportare o appendere l'apparecchio, oppure di togliere la spina dalla presa di corrente. Mantenere l'utensile al riparo da fonti di calore, dall'olio, dagli spigoli o da parti di strumenti in movimento.** I cavi danneggiati o aggrovigliati aumentano il rischio d'insorgenza di scosse elettriche.
- e) **Qualora si voglia usare l'utensile all'aperto, impiegare solo ed esclusivamente cavi di prolunga omologati per l'impiego all'esterno.** L'uso di un cavo di prolunga omologato per l'impiego all'esterno riduce il rischio d'insorgenza di scosse elettriche.
- 3) SICUREZZA DELLE PERSONE**
- a) **È importante concentrarsi su ciò che si sta facendo e a maneggiare con giudizio l'utensile elettrico durante le operazioni di lavoro. Non utilizzare l'utensile in caso di stanchezza o sotto l'effetto di droghe, bevande alcoliche e medicinali.** Un attimo di distrazione durante l'uso dell'utensile potrà causare lesioni gravi.
- b) **Indossare sempre equipaggiamento protettivo individuale, nonché guanti protettivi.** Se si avrà cura d'indossare equipaggiamento protettivo individuale come la maschera antipolvere, la calzatura antisdrucciolevole di sicurezza, il casco protettivo o la protezione dell'udito, a seconda dell'impiego previsto per l'utensile elettrico, si potrà ridurre il rischio di ferite.
- c) **Evitare l'accensione involontaria dell'utensile. Assicurarsi che il tasto si trovi in posizione di «SPENTO», prima d'inserire la spina nella presa di corrente.** Il fatto di tenere il dito sopra all'interruttore o di collegare l'utensile acceso all'alimentazione di corrente potrà essere causa di incidenti.
- d) **Togliere gli attrezzi di regolazione o la chiave inglese prima di accendere l'utensile.** Un utensile o una chiave inglese che si trovino in una parte di strumento in rotazione potranno causare lesioni.
- e) **È importante non sopravvalutarsi. Avere cura di mettersi in posizione sicura e di mantenere l'equilibrio.** In tale maniera sarà possibile controllare meglio l'apparecchio in situazioni inaspettate.
- f) **Indossare vestiti adeguati. Evitare di indossare vestiti lenti o gioielli. Tenere i capelli, i vestiti ed i guanti lontani da pezzi in movimento.** Vestiti lenti, gioielli o capelli lunghi potranno impigliarsi in pezzi in movimento.
- g) **Se sussiste la possibilità di montare dispositivi di aspirazione o di captazione della polvere, assicurarsi che gli stessi siano stati installati correttamente e vengano utilizzati senza errori.** L'impiego dei suddetti dispositivi diminuisce il pericolo rappresentato dalla polvere.
- 4) MANEGGIO ED IMPIEGO ACCURATO DI UTENSILI ELETTRICI**
- a) **Non sovraccaricare l'utensile. Impiegare l'utensile elettrico adatto per sbrigare il lavoro.** Utilizzando l'utensile elettrico adatto si potrà lavorare meglio e con maggior sicurezza nell'ambito della gamma di potenza indicata.
- b) **Non utilizzare utensili elettrici con interruttori difettosi.** Un utensile elettrico che non si può più accendere o spegnere è pericoloso e dovrà essere riparato.
- c) **Togliere la spina dalla presa di corrente prima di regolare l'apparecchio, di sostituire pezzi di ricambio o di mettere da parte l'apparecchio.** Tale precauzione eviterà che l'apparecchio possa essere messo in funzione inavvertitamente.
- d) **Custodire gli utensili elettrici non utilizzati al di fuori della portata dei bambini. Non fare usare l'apparecchio a persone che non sono abituate ad usarlo o che non abbiano letto le presenti istruzioni.** Gli utensili elettrici sono pericolosi se utilizzati da persone inesperte.
- e) **Effettuare accuratamente la manutenzione dell'apparecchio. Verificare che le parti mobili dello strumento funzionino perfettamente e non s'incepino, che non ci siano pezzi rotti o danneggiati al punto tale da limitare la funzione dell'apparecchio stesso. Far riparare le parti danneggiate prima d'impiegare l'apparecchio.** Numerosi incidenti vengono causati da utensili elettrici la cui manutenzione è stata effettuata poco accuratamente.
- f) **Mantenere affilati e puliti gli utensili da taglio.** Gli utensili da taglio curati con particolare attenzione e con taglienti affilati s'incepiscono meno frequentemente e sono più facili da condurre.
- g) **Utilizzare utensili elettrici, accessori, attrezzi, ecc. in conformità con le presenti istruzioni e secondo quanto previsto per questo tipo specifico di apparecchio. Osservare le condizioni di lavoro ed il lavoro da eseguirsi durante l'impiego.**
L'impiego di utensili elettrici per usi diversi da quelli consentiti potrà dar luogo a situazioni di pericolo.

5) ASSISTENZA

- a) **Fare riparare l'apparecchio solo ed esclusivamente da personale specializzato e solo impiegando pezzi di ricambio originali.** In tale maniera potrà essere salvaguardata la sicurezza dell'apparecchio.

ISTRUZIONE DI SICUREZZA PER SEGI CIRCOLARI

PERICOLO

- **Tenere le mani distanti dall'area di taglio e dalla lama; tenere l'altra mano davanti all'impugnatura** (se entrambe le mani sono impegnate a mantenere la sega, non possono essere tagliate dalla lama)
- **Non mettere le mani sotto il pezzo di lavorazione** (la protezione non può proteggere dalla lama al di sotto del pezzo di lavorazione)
- **Regolare la profondità di taglio a seconda dello spessore del materiale** (la lama deve sporgere sotto al pezzo da tagliare per un'altezza inferiore all'altezza del dente)
- **Non tenere il pezzo da tagliare con le mani oppure sulle gambe** (è importante si sostenere il pezzo di lavorazione correttamente in modo da ridurre al minimo l'esposizione del corpo, legatura della lama o perdita di controllo)
- **Tenere l'utensile con delle superfici di serraggio isolate durante un'operazione in cui l'utensile di taglio possa toccare dei cavi nascosti oppure il proprio cavo** (contatto con un cavo "sotto tensione" con parti metalliche esposte dell'utensile rende queste ultime anche "sotto tensione" causando una scossa elettrico all'operatore)
- **Quando si sega contro la fibra utilizzare un riparo di fibra oppure una guida con bordo dritto** (questo riduce la possibilità d'inceppamento della lama)
- **Usare sempre lame della corretta dimensione e forma dei fori dell'albero (diamante contro rotondo)** (le lame che non corrispondono all'hardware di supporto della lama funzioneranno in modo eccentrico causando perdita di controllo)
- **Non usare mai rondelle o bulloni di lama errati o danneggiati** (le rondelle ed i bulloni sono stati progettati appositamente per questa lama, onde ottenere le migliori prestazioni e sicurezza di funzionamento)

RETROAZIONE - CAUSE

- La retroazione è un'improvvisa reazione di una lama grippata, intasata o disallineata che causa la lama non controllata di sollevarsi e fuoriuscire dal pezzo di lavorazione verso l'operatore
- Quando una lama è grippata o intasata dalla chiusura di un taglio, la lama si stalla e la reazione del motore retro aziona l'unità rapidamente verso l'operatore
- Se la lama si storce o si disallinea nel taglio, i denti del bordo posteriore della lama possono affondarsi nella superficie superiore del legno causando la fuoriuscita della lama del taglio ed il salto verso l'operatore

RETROAZIONE – PREVENZIONE DELL'OPERATORE

La retroazione è il risultato del cattivo utilizzo dell'arnese e/o le errate procedure o condizioni del funzionamento che possono essere evitate se si prendono le dovute precauzioni come descritte qui di seguito

- **Mantenere una salda presa sulla sega con entrambe le mani e posizionare le braccia in modo da resistere le forze della retroazione; posizionare il corpo ad uno o l'altro lato della lama, ma non dietro alla lama** (Le forze della retroazione potrebbe causare un salto all'indietro della sega, ma possono essere controllate dall'operatore, se vengono prese le corrette precauzioni)
- **Quando la lama è intasata o quando si interrompe un taglio per qualsiasi ragione, rilasciare il grilletto e mantenere immobile la sega nel materiale fino a quando la lama si arresta completamente; non tentare mai di rimuovere la sega dal lavoro o tirarla indietro mentre la lama è in movimento poiché si potrebbe causare una retroazione** (investigare e prendere le azioni rettifiche per eliminare la causa dell'intasamento della lama; evitare di tagliare chiodi o viti)
- **Quando si riavvia una sega nel pezzo di lavorazione, centrare la lama nel taglio e controllare che i denti della sega non siano ingaggiati nel materiale** (se la lama della sega si intasa, potrebbe sollevarsi o causare una retroazione dal pezzo di lavorazione mentre la sega viene riavviata)
- **Sostenere grandi pannelli per ridurre al minimo il rischio di ripiega o di retroazione** (grandi pannelli tendono a ripiegarsi sotto il proprio peso; è necessario mettere dei supporti dei supporti sotto il pannello ad entrambi i lati, vicino alla linea di taglio e vicino il bordo del pannello)
- **Non utilizzare una lama smussata o danneggiata** (lame non affilate o impostate male producono tagli stretti causando eccessiva frizione, intasamento e retroazione)
- **La profondità della lama e la regolazione delle leve di bloccaggio della smussatura devono essere ferme e sicure prima di effettuare il taglio** (se la regolazione della lama si sposta durante il taglio, si potrebbe verificare un'intasatura e una retroazione)
- **Usare extra attenzione quando si effettua un taglio a tuffo in pareti esistenti o in altre aree cieche** (la lama sporgente potrebbe tagliare degli oggetti che causano retroazione)

ATTENZIONE!

- **Controllare che il riparo inferiore sia chiuso correttamente prima dell'uso**
- **Non azionare la lama se il riparo inferiore non si muove liberamente e si chiude istantaneamente**
- **Non serrare mai il riparo inferiore nella posizione aperta**
- **Se la sega cade accidentalmente, il riparo inferiore si potrebbe piegare; sollevare il riparo inferiore con l'impugnatura di retroazione ed assicurarsi che si muova liberamente e non tocchi la lama o qualsiasi altra parte, in tutti gli angoli e profondità del taglio**
- **Controllare il funzionamento della molla del riparo inferiore; se il riparo e la molla non funzionano correttamente, bisogna effettuare la manutenzione prima dell'uso** (il riparo inferiore potrebbe funzionare allentato a causa di parti danneggiate, depositi appiccicosi o ad un accumulo di detriti)

- **Il riparo inferiore deve essere represso manualmente solamente per tagli speciali quali tagli a tuffo e tagli composti; sollevare il riparo inferiore mediante l'impugnatura per la retroazione ed appena la lama entra nel materiale, il riparo inferiore deve essere rilasciato** (per tutti gli altri tipi di taglio, il riparo inferiore dovrebbe funzionare automaticamente)
- **Osservare sempre che il riparo inferiore copra la lama prima di poggiare la sega su di un banco o sul pavimento** (una lama non protetta, in movimento per inerzia causa il retro movimento della sega, tagliando tutto ciò che trova nel suo percorso; fare attenzione al tempo che una lama impiega per arrestarsi dopo che l'interruttore viene rilasciato)
- Rimuovete tutti i chiodi, le viti o quanto sporgente dal pezzo in lavorazione al fine di evitare possibili danneggiamenti della lama
- Quando riponete l'utensile accertatevi che non ci siano parti in movimento e che il motore sia spento
- Usare prolunghe non arrotolate e con capacità 16 Amp
- Nel caso l'utensile si blocchi o di cattivo funzionamento elettrico o meccanico, spegnete subito l'utensile e staccate la spina
- La SKIL garantisce un perfetto funzionamento dell'utensile soltanto se vengono utilizzati accessori originali
- Utilizzate solo accessori il cui numero massimo di giri corrisponda almeno al massimo dei numeri di giri dell'utensile
- Non usate mai l'utensile senza il suo sistema protettivo originale
- E preferibile non fare utilizzare gli utensili a ragazzi inferiori a 16 anni
- Durante le operazioni di lavoro il livello di rumorosità può superare 85 dB(A); utilizzare le cuffie di protezione
- Se durante un'operazione di lavoro viene danneggiato oppure troncato il cavo, non toccare il cavo ma estrarre immediatamente la spina dalla presa
- Non usare l'utensile quando il cavo è danneggiato; farlo sostituire da personale qualificato
- Controllare che la tensione dell'alimentazione sia la stessa di quella indicata sulla targhetta dell'utensile (gli utensili con l'indicazione di 230V o 240V possono essere collegati anche alla rete di 220V)
- Quest'utensile non può lavorare con acqua
- Dopo lo spegnimento della sega circolare, non arrestate mai la rotazione della lama applicandovi una forca lateralmente
- Mai utilizzate lame per sega circolare in acciaio ad alta velocità (HSS)
- Non usare mai mole da smeriglio/taglio con quest'utensile
- Non tagliate materiali contenenti amianto
- Portare una maschera di protezione contro la polvere nella lavorazione di materiali a produzione di polveri dannose alla salute; informarsi prima il tipo di materiale su cui lavorare
- Non cercate di tagliare pezzi estremamente piccoli
- Rimuovete tutti gli ostacoli sopra e sotto la linea di taglio prima di iniziare il lavoro

- Lavorate solo su un piano orizzontale
- Usate solo tavoli da taglio dotati di interruttori che impediscano il riavviamento automatico dopo un'interruzione di corrente
- Usate solo tavoli da taglio dotati di una guida di taglio
- **Staccate sempre la spina dell'utensile prima di effettuare regolazioni o cambiare gli accessori**

UTILIZZO

- Cambio della lama ③
 - prendete la chiave esagonale A dall'alloggiamento B
 - premete il pulsante C del blocco alberino e tenete premuto mentre rimuovete il bullone della lama D con la chiave esagonale
 - ! **premete il pulsante C del blocco alberino soltanto quando l'utensile è a riposo**
 - rilasciate il pulsante C del blocco alberino
 - rimuovete la flangia E
 - aprite la protezione inferiore F con la leva G e tenetela aperta mentre si cambia la lama con i suoi denti e freccia stampata sulla lama rivolti verso la stessa direzione della freccia sulla protezione inferiore
 - rilasciate la protezione inferiore F
 - montate la flangia E
 - ! **assicurarsi che le superfici di fermo delle flange H siano perfettamente pulite e rivolte verso la lama**
 - premete il pulsante C e tenete premuto mentre serrate il bullone della lama con la chiave esagonale di 1/8 di giro (assicurarsi slittamento della sega quando incontra eccessiva resistenza, riducendo così sovraccarico del motore e retrocolpo della lama)
 - rilasciate il pulsante C del blocco alberino
- Regolazione della profondità di taglio (0-55 mm) ④
 - per una qualità di taglio ottimale la lama non dovrebbe uscire oltre 3 mm al di sotto del pezzo in lavorazione
 - allentate la leva J
 - sollevate/abbassate il piede K fino alla profondità desiderata sulla scala utilizzando l'indicatore L
 - serrate la leva J
- Regolazione dell'angolo di taglio (0-45°) ⑤
 - allentate il bottone M
 - capovolgete l'utensile fino all'angolo desiderato sulla scala utilizzando l'indicatore N
 - serrate il bottone M
 - ! **con tagli obliqui la profondità di taglio non corrisponde al valore indicato sulla scala di profondità di taglio**
- Controllo della perpendicolarità di taglio (90°) ⑤
 - regolate e serrate il piede K alla massima profondità di taglio ④
 - regolate e serrate l'angolo di taglio a 0°
 - controllate l'angolo di 90° tra lama e piede con una squadra
- Visore regolabile della linea di taglio P ⑥a
 - per guidare l'utensile sulla linea di taglio marcata sul pezzo in lavorazione
 - per tagli a 0° o 45° utilizzare la linea di taglio concernente
 - ! **la più larga parte del piede deve poggiare sulla parte supportata del pezzo in lavorazione**

- può essere regolato per consentire di scegliere se lo sfido è dalla parte interna o esterna della lama ⑥b
- ! **la larghezza di taglio è determinata dalla larghezza dei denti della lama**
- ! **effettuate sempre delle prove prima di procedere al taglio**
- Aspirazione della polvere
 - montate l'aspirapolvere sulla prolunga Q ②
 - ! **tenete lontano il tubo dell'aspirapolvere dalla protezione inferiore o dalla zona di taglio**
 - si può utilizzare anche un sacchetto raccogli-polvere (accessori SKIL 2610387402)
- Funzionamento dell'utensile ②
 - inserire la spina nella presa di corrente
 - sempre tenete saldamente l'impugnatura R con una mano e l'impugnatura S con l'altra mano
 - collocate l'utensile con l'estremità frontale della base in posizione orizzontale sul pezzo in lavorazione
 - ! **assicurarsi che la lama non tocchi il pezzo in lavorazione**
 - accendete l'utensile premendo dapprima il pulsante T (= interruttore di sicurezza, che non può essere bloccato) e poi schiacciando l'interruttore V
 - ! **l'utensile deve avere la massima velocità prima che la lama entri nel pezzo in lavorazione**
 - la protezione inferiore F si apre automaticamente quando la lama entra nel pezzo in lavorazione (aprite la protezione inferiore manualmente con la leva G solamente per tagli speciali come tagli dal pieno)
 - non forzate l'utensile; applicate una pressione leggera e costante
 - dopo aver realizzato il taglio, spegnete il vostro utensile rilasciando l'interruttore V
 - ! **prima di rimuovere l'utensile del pezzo in lavorazione assicuratevi che la lama sia ferma**

CONSIGLI PER L'UTILIZZO

- Posizionate la parte più rifinita del pezzo in lavorazione verso il basso
 - Usate solo lame affilate e del tipo suggerito ⑦
 - la qualità di taglio è proporzionale al numero dei denti
 - lame con denti riportati al carburo conservano l'affilatura 30 volte più a lungo
 - Guida parallela W ⑧
 - per tagli precisi lungo un bordo del pezzo in lavorazione
 - può essere inserita sia alla destra che alla sinistra parte del piede
- Regolazione della guida parallela
- allentate il bottone X
 - regolate alla larghezza di taglio desiderata utilizzando la scala della guida parallela (utilizzare il visore P della linea di taglio come 0-riferimento)
 - serrate il bottone X
- Taglio dal pieno ⑨
 - fissate la profondità di taglio desiderata
 - capovolgete in avanti l'utensile con il visore P della linea di taglio allineato con la linea di taglio desiderata marcata sul pezzo in lavorazione
 - sollevate la protezione inferiore F con la leva G

- proprio prima che la lama entri nel pezzo in lavorazione, accendete l'utensile e abbassate gradualmente la parte posteriore facendo perno sulla parte anteriore del piede
- gradualmente spingete l'utensile in basso e in avanti
- appena la lama entra nel materiale, rilasciate la leva G
- ! **non tirate mai l'utensile indietro**
- Taglio di pannelli larghi ⑩
 - supportate il pannello vicino al taglio sia in terra, sulla tavola che sul banco di lavoro
 - ! **fissate la profondità di taglio in modo da non tagliare il supporto**
 - nel caso la guida parallela sia troppo corta, fissate sul pezzo in lavorazione un legno dritto come guida, e utilizzate la parte destra del piede contro questa guida
- Per altri consigli consultare il sito www.skileurope.com

GARANZIA / TUTELA DELL'AMBIENTE

- Tenete sempre puliti utensile e cavo (soprattutto le feritoie di ventilazione)
- ! **prima di pulire estrarre la spina dalla presa**
- Pulite la lama immediatamente dopo l'uso (specie da resina o colla)
- Per gli utensili SKIL forniamo garanzia conforme alle disposizioni di legge/specifiche nazionali; guasti derivanti da usura naturale, sovraccarico o uso improprio dell'utensile sono esclusi dalla garanzia
- In caso di malfunzionamento, inviare l'utensile **non smontato** insieme a la fattura al fornitore oppure al più vicino servizio assistenza autorizzato SKIL (l'indirizzo ed il disegno delle parti di ricambio dell'utensile sono riportati su www.skileurope.com)
- **Non gettare l'utensile elettrico, gli accessori e l'imballaggio tra i rifiuti domestici** (solo per paesi UE)
 - secondo la Direttiva Europea 2002/96/CE sui rifiuti di utensili elettrici ed elettronici e la sua attuazione in conformità alle norme nazionali, gli utensili elettrici esausti devono essere raccolti separatamente, al fine di essere reimpiegati in modo eco-compatibile
 - il simbolo ⑪ vi ricorderà questo fatto quando dovrete eliminarle

H

Körfűrés

5855

BEVEZETÉS

- A készülék rögzített fa munkadarabokban végzett egyenesvonalú hosszanti és keresztirányú, valamint 45°-os illesztésekhez szolgáló vágások végrehajtására szolgál; megfelelő fűrészlapok használatával a készülék szinesfémek, könnyű építési anyagok és műanyagok fűrészelésére is alkalmazható
- Olvassa el figyelmesen és őrizze meg a használati utasítást

TECHNIKAI ADATOK ①

BIZTONSÁG

ÁLTALÁNOS BIZTONSÁGI ELŐÍRÁSOK

FIGYELEM! Olvassa el valamennyi előírást.

A következőkben leírt előírások helytelen betartása áramütésekhez, tűzhöz és/vagy súlyos testi sérülésekhez vezethet. Az alább alkalmazott "elektromos kéziszerszám" fogalom a hálózati elektromos kéziszerszámokat (hálózati kábelrel és csatlakozóval) foglalja magában. KÉRJÜK GONDOSAN ÓRIZZE MEG EZEKET AZ ELŐÍRÁSOKAT.

1) MUNKAHELY

a) Tartsa tisztán és tartsa rendben a munkahelyét.

Rendetlen munkahelyek és megvilágítatlan munkaterületek balesetekhez vezethetnek.

b) Ne dolgozzon az elektromos kéziszerszámmal olyan robbanásveszélyes környezetben, ahol éghető folyadékok, gázok vagy porok vannak. Az elektromos kéziszerszámok szikrákat bocsáthatnak ki, amelyek meggyújthatják a port vagy a gőzöket.

c) Tartsa távol a gyerekeket és az idegen személyeket a munkahelytől, ha az elektromos kéziszerszámot használja. Ha elvonják a figyelmét a munkától, könnyen elvesztheti az uralmát a berendezés felett.

2) ELEKTROMOS BIZTONSÁGI ELŐÍRÁSOK

a) A készülék csatlakozó dugójának bele kell illeszkednie a dugaszolóaljzatba. A csatlakozó dugót semmilyen módon sem szabad megváltoztatni.

Védőföldeléssel ellátott készülékekkel kapcsolatban ne használjon csatlakozó adaptert. A változtatás nélküli csatlakozó dugók és a megfelelő dugaszoló aljzatok csökkentik az áramütés kockázatát.

b) Ne érjen hozzá földelt felületekhez, mint csövekhez, futótetekhez, kályhákhoz és hűtőszekrényekhez. Az áramütési veszély megnövekszik, ha a teste le van földelve.

c) Tartsa távol az elektromos kéziszerszámot az esőtől és a nedvesség hatásaitól. Ha víz hatol be egy elektromos kéziszerszámba, ez megnöveli az áramütés veszélyét.

d) Ne használja a kábelt a rendeltetésétől eltérő célokra, vagyis a szerszámot soha ne hordozza vagy akassza fel a kábelnél fogva, és soha húzza ki a hálózati csatlakozó dugót a kábelnél fogva. Tartsa távol a kábelt hőforrásoktól, olajtól, éles élektől és sarkaktól és mozgó gépalkatrészekről. Egy megrongálódott vagy csomókkal teli kábel megnöveli az áramütés veszélyét.

e) Ha egy elektromos kéziszerszámmal a szabad ég alatt dolgozik, csak a szabadban való használatra engedélyezett hosszabbítót használjon. A szabadban való használatra engedélyezett hosszabbító használata csökkenti az áramütés veszélyét.

3) SZEMÉLYI BIZTONSÁGI ELŐÍRÁSOK

a) Munka közben mindig figyeljen, ügyeljen arra, amit csinál, és megdölgött dolgozzon az elektromos kéziszerszámmal. Ha fáradt, ha kábítószerek vagy alkohol hatása alatt áll, vagy orvosságokat vett be, ne használja a berendezést. A berendezéssel végzett munka közben már egy pillanatnyi figyelmetlenség is komoly sérülésekhez vezethet.

b) Viseljen személyi védőfelszerelést és mindig viseljen védőszemüveget. A személyi védőfelszerelések, mint porvédő álcok, csúszásbiztos védőcipő, védősapka és fűlvédő használatuk az elektromos kéziszerszám használatára jellegének megfelelően csökkenteni a személyes sérülések kockázatát.

c) Kerülje el az elektromos kéziszerszám akaratlan üzembe helyezését. Győződjön meg arról, hogy a kapcsoló a "KI" helyzetben van, mielőtt bedugná a csatlakozó dugót a dugaszolóaljzatba.

Ha az elektromos kéziszerszám felemelése közben az újat a kapcsolón tartja, vagy ha a készüléket bekapcsolt állapotban csatlakoztatja az áramforráshoz, ez balesetekhez vezethet.

d) Az elektromos kéziszerszám bekapcsolása előtt okvetlenül távolítsa el a beállító szerszámokat vagy csavarkulcsokat. Az elektromos kéziszerszám forgó részeiben felejtett beállító szerszám vagy csavarkulcs sérüléseket okozhat.

e) Ne becsülje túl önmagát. Kerülje el a normálístól eltérő testtartást, ügyeljen arra, hogy mindig biztonságosan álljon és az egyensúlyát megtartsa. Így az elektromos kéziszerszám felett váratlan helyzetekben is jobban tud uralkodni.

f) Viseljen megfelelő ruhát. Ne viseljen bő ruhát vagy ékszereket. Tartsa távol a haját, a ruháját és a kesztyűjét a mozgó részekről. A bő ruhát, az ékszereket és a hosszú hajat a mozgó alkatrészek magukkal ránthatják.

g) Ha az elektromos kéziszerszámmal fel lehet szerelni a por elszívásához és összegyűjtéséhez szükséges berendezéseket, ellenőrizze, hogy azok megfelelő módon hozzá vannak kapcsolva a készülékhez és rendeltetésüknek megfelelően működnek. Ezen berendezések használata csökkenti a munka során keletkező por veszélyes hatását.

4) AZ ELEKTROMOS KÉZISZERSZÁMOK GONDOS KEZELÉSE ÉS HASZNÁLATA

a) Ne terhelje túl az elektromos kéziszerszámot.

A munkájához csak az arra szolgáló elektromos kéziszerszámot használja. Egy alkalmas elektromos kéziszerszámmal a megadott teljesítménytartományon belül jobban és biztonságosabban lehet dolgozni.

b) Ne használjon olyan elektromos kéziszerszámot, amelynek a kapcsolója elromlott. Egy olyan elektromos kéziszerszám, amelyet nem lehet sem be-, sem kikapcsolni, veszélyes és meg kell javíttatni.

c) Húzza ki a csatlakozó dugót a dugaszolóaljzatból, mielőtt az elektromos kéziszerszámon beállítási munkákat végez, tartozékokat cserél vagy a szerszámot tárolásra elteszi. Ez az elővigyázatossági intézkedés meggátolja a szerszám akaratlan üzembe helyezését.

d) A használaton kívüli elektromos kéziszerszámokat olyan helyen tárolja, ahol azokhoz gyerekek nem férhetnek hozzá. Ne hagyja, hogy olyan személyek használják az elektromos kéziszerszámot, akik nem ismerik a szerszámot, vagy nem olvasták el ezt az útmutatót. Az elektromos kéziszerszámok veszélyesek, ha azokat gyakorlatlan személyek használják.

- e) A készüléket gondosan ápolja. Ellenőrizze, hogy a mozgó alkatrészek kifogástalanul működnek-e, nincsenek-e beszorulva, és nincsenek-e eltörve vagy megrongálódva olyan alkatrészek, amelyek hatással lehetnek az elektromos kéziszerszám működésére. A megrongálódott részeket a készülék használata előtt javíttassa meg. Sok olyan baleset történik, amelyet az elektromos kéziszerszám nem kielégítő karbantartására lehet visszavezetni.
- f) **Tartsa tisztán és éles állapotban a vágószerszámokat.** Az éles vágóélekkel rendelkező és gondosan ápolott vágószerszámok ritkábban ékelődnek be és azokat könnyebben lehet vezetni és irányítani.
- g) **Az elektromos kéziszerszámokat, tartozékokat, betétszerszámokat stb. csak ezen előírásoknak és az adott készüléktípusra vonatkozó kezelési utasításoknak megfelelően használja. Vegye figyelembe a munkafeltételeket és a kivitelezendő munka sajátosságait.** Az elektromos kéziszerszám eredeti rendeltetésétől eltérő célokra való alkalmazása veszélyes helyzetekhez vezethet.

5) SZERVIZ

- a) **Az elektromos kéziszerszámot csak szakképzett személyzet és csak eredeti pótalkatrészek felhasználásával javíthatja.** Ez biztosítja, hogy az elektromos kéziszerszám biztonságos szerszám maradjon.

BIZTONSÁGI ELŐÍRÁSOK KÖRFŰRÉSZEKHEZ

VIGYÁZAT

- **Tartsa távol kezét a vágóterülettől és a fűrészlaptól; tartsa egyik kezét a mellő fogantyún** (ha két kézzel tartja a fűrészgépet, elkerülheti a fűrészlap okozta sérüléseket)
- **Ne érintse a munkadarab alsó részét** (a védőburkolat nem nyújt védelmet a fűrészlappal szemben a munkadarab alsó részénél)
- **Állítsa be a vágási mélységet, a munkadarab vastagságának megfelelően** (legkevesebb a vágótárcsa 1 fogának kell látszódnia a munkadarab túlololdalán)
- **Soha ne tartsa kezében vagy térdén átvetve a levágandó darabot** (elengedhetetlen a munkadarab biztonságos alátámasztása, hogy ezáltal minimumra csökkentse testi épségének veszélyeztetését vagy a szerszám beszorulását, illetve az a feletti irányítási képesség elvesztését)
- **Tartsa a szerszámot a szigetelt markolatánál fogva olyan esetben, ahol esetleg a vágószerszám érintkezhet rejtett fémhuzallal vagy a saját kábelével a forgácsolás közben** (a szerszám fém részei védtelenné válnak az "élő" vezetékkel történő érintkezés során, és ennek következtében a szerszám kezelőjét áramütés érheti)
- **Hasítás esetén mindig használjon vezetőlécet vagy egy egyenes élvezetőt** (ez javítja a forgácsolás pontosságát és csökkenti a fűrészlap berágódásának lehetőségét)

- **Használjon mindig a szerszámtengely méretének és alakjának megfelelő furattal rendelkező fűrészlapot (rombusz vagy kör alakú)** (a fűrészgép illesztőcsapjára pontatlanul illeszkedő fűrészlapok excentrikusan forognak, és az irányíthatóság elvesztését okozzák)
- **Soha ne használjon sérült, vagy pontatlan méretű alátéteket vagy csavarokat** (a fűrészlap alátéitei és a csavart - az optimális és biztonságos üzemeltetés érdekében - kimondottan a berendezéshez tervezték)

VISSZAÜTÉS - OKOK

- A visszaütés egy olyan hirtelen reakciója a beékelődött, berágódott vagy nem tengelyvonalba illeszkedő fűrészlappal, amely a kontrollálhatatlanná vált szerszám felemelkedését, illetve a szerszámnak a munkadarabból, a használó fele történő kiugrását eredményezi
- Amikor a vágási rés behúzásakor a fűrészlap beszorul illetve erősen berágódik, a fűrészlap forgása lelassul, és a motor-visszahatás a szerszámot rohamosan a szerszám használójának irányába kényszeríti
- Ha a fűrészlap elfintul vagy a vágási résből kilép, a fűrészlap hátsó részénél lévő fogak belekaphatnak a fa felületbe, mely a fűrészlappal a vágási résből történő kiugrását és a szerszámnak a használó irányába történő visszaütését eredményezi

VISSZAÜTÉS - MEGELŐZÉS A SZERSZÁM KEZELŐJE RÉSZÉROL

A visszaütés a szerszám helytelen és/vagy nem rendeltetésszerű használatából illetve rendellenes körülményekből fakad, és az alább javasolt megfelelő elővigyázatosság betartása révén elkerülhető

- **Használat közben fogja a szerszámot két kézzel, és karjai úgy helyezkedjenek el, hogy ellenálljon a visszaütés következtében fellépő erőnek; ügyeljen arra, hogy teste a vágótárcsa jobb vagy bal oldalán helyezkedjen el, és sohasem a fűrészlappal egyvonalban** (a visszaütő erő következtében a szerszám hátrafele ugorhat, amelyet azonban a fentiekben leírt biztonsági óvintézkedésekkel a felhasználó biztonsággal uralhat, amennyiben betartja ezeket)
- **A fűrészlap beékelődése, vagy a vágási folyamat bármely okból történő megszakadása esetén, engedje el a kioldó gombot, és tartsa mozdulatlanul a fűrészgépet az anyagban, amíg a fűrészlap teljesen le nem áll; soha ne húzza visszafele a fűrészlapot, illetve ne próbálja eltávolítani a szerszámot a munkadarabból a fűrészlap mozgó állapotában, vagy a szerszám esetleges visszaütése során** (vizsgálja ki az okot, és tegyen megfelelő lépéseket a fűrészlap beszorulásának megelőzése érdekében; kerüldje a szögek/csavarok elvágását)
- **A forgácsolás újraindításakor, helyezze a fűrészlapot a vágási résbe, és ellenőrizze, hogy a fogak ne legyenek beakaszkodva a munkadarabba** (ha a fűrészlap szorul, előfordulhat, hogy a szerszám újraindításakor a fűrészlap szabálytalanul kiugrik a vágási résből vagy szerszám visszaüt)

- **A nagyméretű lemezeket támassza alá, hogy ennek révén minimumra csökkentse a fűrészlap beékelődésének és a visszaütésnek rizikóját** (nagyméretű lemezek, saját súlyuknál fogva, hajlamosak a belógásra; a lemezt, közel a vágásvonalhoz és a lemez széléhez, mindkét végén alá kell támasztani)
- **Ne használjon életlen vagy megrongálódott fűrészlapot** (életlen vagy helytelenül illesztett fűrészlap keskeny vágási rést hoz létre, amely túlzott sűrűldást, a fűrészlap berágódását és visszaütést eredményez)
- **Forgácsolás megkezdése előtt, a vágásmélységet és a vágási szöveget beállító rögzítőkárokat meg kell szorítani illetve rögzíteni kell** (ha a vágási művelet során a fűrészlap-beállítás elcsúszik, előfordulhat, hogy a fűrészlap beszorul vagy a szerszám visszaüt)
- **Különös elővigyázatosságra van szükség egy falba vagy egyéb holttérbe történő beszúró forgácsolás esetén** (a kiálló fűrészlap belevághat olyan tárgyakra, amely a szerszám visszaütését eredményezheti)

FIGYELEM!

- **Minden egyes használat előtt ellenőrizze az alsó fűrészlapvédő pajzsot annak megfelelő csukódása szempontjából**
- **Ne üzemeltesse a szerszámot, ha az alsó fűrészlapvédő pajzs nem mozog szabadon, illetve nem csukódik be azonnal**
- **Soha ne rögzítse vagy kösse ki az alsó fűrészlapvédő pajzsot annak nyitott állapotában**
- Ha a szerszám véletlenül leesik, az alsó fűrészlapvédő pajzs behorpadhat; ez esetben, emelje fel a pajzsot a visszahúzó fogantyúnál fogva, és ellenőrizze a burkolatot, hogy az szabadon mozogjon, illetve ne érintse a fűrészlapot vagy a szerszám más részét egyetlen vágómélység/-szög esetén sem
- **Ellenőrizze az alsó fűrészlapvédő pajzs rugójának működését; ha a védőburkolat és a rugó nem működik rendesen, használat előtt szervizelni kell a szerszámot** (előfordulhat, hogy az alsó fűrészlapvédő pajzs lassan működik a megsérült alkatrészek, tapadós bevonat, lerakódott anyagrézecskek miatt)
- **Az alsó fűrészlapvédő pajzsot csak olyan sajátos helyzetben szabad kézzel lehajtani, mint pl. beszúró vagy összetett forgácsolás; emelje meg az alsó pajzsot a visszahúzó fogantyúnál fogva, és amint a fűrészlap behatol az anyagba, engedje el** (minden más vágóművelet esetén az alsó fűrészlapvédő pajzsnak automatikusan kell működnie)
- **Mielőtt a szerszámot a munkapadra vagy a földre helyezné, minden esetben ellenőrizze, hogy az alsó fűrészlapvédő pajzs fedi-e a fűrészlapot** (egy véletlen fűrészlap, vagy egy lelassuló mozgás a fűrészlap visszafele történő mozgását eredményezi, elvágva mindent ami az útjába kerül; legyen tudatában a kioldó gomb elengedése és a fűrészlap leállása közt eltelt időtartamnak)
- **Ügyeljen arra, hogy a munkadarabban lévő csavar, szög vagy más hasonló tárgy sérüléseket ne okozzon, ezeket a munkálatok megkezdése előtt távolítsa el**
- **A gépet soha ne hagyja bekapcsolt állapotban, ha már nem dolgozik vele**

- Hosszabbító-kábel használat esetén ügyelni kell arra, hogy a vezeték teljesen le legyen tekerve és legalább 16 A-es legyen
- Amennyiben készüléke hirtelen megáll vagy a normálstól eltérő működést ill. szokatlan, idegen furcsa zajokat észlel, úgy a készüléket azonnal kapcsolja ki és a kábelt húzza ki a fali dugaszoló aljzatból
- SKIL cég kizárólag eredeti alkatrészek és kiegészítők alkalmazása esetén tudja garantálni a gép problémamentes működését
- Csak olyan tartozékot használjon, amelyek legmagasabb megengedett fordulatszáma legalább akkora, mint a berendezés legmagasabb üresjárati fordulatszáma
- Sohasé használja a készüléket az eredeti védőburkolat nélkül
- A készüléket csak 16 éven felüli személy használja
- Munka közben a zaj meghaladhatja a 85 dB(A); használjon fülvédőt
- Ha a kábel munkaközben megsérül vagy el van vágva, ne érjen a kábelhoz, hanem azonnal húzza ki a konektorból
- Soha ne használja a szerszámot ha a kábel sérült: cseréltesse ki szakértő által
- Mindig ellenőrizze, hogy a hálózati feszültség megegyezik-e a szerszám adattábláján feltüntetett értékkel (a 230V vagy 240V jelzésű gépek 220V feszültségre is csatlakoztathatók)
- Ez a készülék nedves vágási munkálatokhoz nem használható
- Készülékének kikapcsolása után a fűrészlap leállítását semmilyen külső behatással (kézzel, valamely tárggyal), ne kísérelje meg gyorsítani
- Sohasé használja készülékét HSS acélból készült fűrészlappal
- Ezt a készülékhez ne használjon csiszoló- vagy vágókörorogot
- Ne vágjon olyan anyagot, amely azbesztet tartalmaz
- Használjon porvédő maszkot, amennyiben olyan anyagokkal dolgozik, melynek pora káros az egészségre; ezért előzetesen tanulmányozza az anyagokat, melyekkel dolgozni kíván
- Ne próbáljon nagyon kisméretű munkadarabot vágni
- Mielőtt elkezdené a vágást, távolítsa el minden akadályt a vágási vonal elől
- A géppel ne dolgozzon feje felett
- Kizárólag integrált kapcsolóval ellátott körfűrészasztalt használjon, amely egy esetleges áramsűnet után megakadályozza a gép újraindítását
- Kizárólag integrált hasítóókat ellátott körfűrészasztalt használjon
- **Mindig húzza ki a dugaszolóaljzatot mielőtt tartozékot cserélné vagy bármit változtatna a gép beállításán**

KEZELÉS

- Fűrészlap csere ③
 - vegye ki a hatszögkulcsot A a tartóból B
 - nyomja be a tengelyt reteszelő C gombot és tartsa nyomva, amíg a hatszögkulcsot az elfordítva eltávolítja a fűrészlap D szorítócsavarját

! csak akkor nyomja be a tengelyt reteszelő C gombot, amikor a készülék üzemen kívüli állapotban van

- engedje el a tengelyt reteszelő C gombot
- távolítsa el az E peremes gyűrűt
- a G kar segítségével nyissa ki az alsó F fűrészlapvédőt, és a kart lenyomva tartva cserélje ki a fűrészlapot úgy, hogy a fűrészlapra nyomtatott nyíl valamint a fogak iránya megegyezzen a fűrészlapvédő alsó részén látható nyíl irányával
- engedje vissza az alsó F fűrészlapvédőt
- helyezze vissza az E peremes gyűrűt

! ügyeljen arra, hogy a peremes gyűrűknek a fűrészlappal érintkező felületei H teljesen tiszták legyenek és felhelyezésük a megfelelő irányban történjen

- nyomja be a tengelyt reteszelő C gombot, és tartsa benyomva, amíg a fűrészlap szorítócsavarját kézzel megszorítja, majd azt a hatszögkulccsal ismételtlen meghúzza az 1/8 fordulattal (ez biztosítja a túlzott ellenállás esetén a fűrészlap csúszását, ekképpen csökkentve a motor túlterhelését és a fűrészlap hirtelen rándulását
- engedje el a tengelyt reteszelő C gombot
- Vágásmélység beállítás (0-55 mm) ④
 - az optimális vágás érdekében nem célszerű, ha a körfűrészlap több mint 3 mm-t kilóg a munkadarabból
 - engedje ki a J kart
 - emelje/engedje a K lábzaatot amíg az L mutató eléri a kívánt vágásmélységet el nem érte
 - húzza meg a J kart
- Vágási szög beállítás (0-45°) ⑤
 - engedje ki az M gombot
 - döntse el a gépet, ammedig az N mutató a kívánt vágási szöget el nem érte
 - húzza meg az M gombot

! ferde síkú vágás esetén a vágásmélység nem egyezik meg a vágásmélység-skálán látható értékkel

- 90°-os Vágási szög ellenőrzése ⑤
 - a K lábzaatot maximális vágási mélységre kell állítani és meghúzni ④
 - a vágási szöget 0°-ra kell állítani és meghúzni
 - ellenőrizze a 90°-os vágási szöget a fűrészlap és a lábzaat alsó részénél egy szögmérővel
- Állítható leolvasó P ⑥a
 - a gép pontos használata érdekében vágjon a munkadarabon a rajzolt vonal mentén
 - egyenes 0°-os vagy 45°-os vágásiszög érdekében használja a megfelelő mutatóvonalat

! a lábzaat nagyobbik része fekdűjön fel a munkadarabra

- kívánság szerint állítható aszerint, hogy a hulladék a fűrészlap külső vagy belső felére essen ⑥b

! a vágási szélességet a fűrészlapfogak szélessége határozza meg és nem a fűrészlap vastagsága

! a tényleges vágásvonal ellenőrzése érdekében, mindig tegyen először egy próbavágást

- Porelszívás

- az Q ② adapterre a legkedvezőbb porfelvételhez
- ! figyeljen arra, hogy a porszívócső soha ne akadályozza az alsó fűrészlapvédő nyílást vagy a vágási munkálatokat**
- használjunk porszákot (2610387402 SKIL tartozék)

- A gép működtetése ②

- a dugaszoló aljazatot a konnektorba dugja be
- mindig fogja meg az egyik kezével a R fogantyút a másikkal pedig az S fogantyút
- a gépet helyezze a lábzaat előoldalával a munkadarabra

! ellenőrizze, hogy a fűrészlapfogak nem szorultak-e be a munkadarabra

- kapcsolja be a gépet úgy, hogy mindig először a T gombot (= biztonsági kapcsoló, amelyiket nem lehet rögzíteni) benyomja, és utána a V kapcsolót meghúzza

! a körfűrésznek teljes fordulatszámom kell működni mielőtt a munkadarabra vezetjük

- az F fűrészlapvédő automatikusan kinyílik, amikor belevetjük a fűrészlapot a munkadarabra (a fűrészlapvédőt csak speciális vágásoknál nyissa ki kézzel; ehhez a G kart használja)
- ne erőltesse a gépet; törekedjen egy gyenge és egy folyamatos nyomásra
- a vágás befejezésével kapcsolja ki a gépet úgy, hogy a V kapcsolót kikapcsolja

! mielőtt a gépet a munkadarabtól eltávolítja ellenőrizze, hogy a fűrészlap teljesen megállt-e

HASZNÁLAT

- Vágás közben a munkadarab használandó oldala mindig lefelé mutasson annak érdekében, hogy sérülések a munkadarab használandó oldalán minimálisak legyenek
- Mindig csak éles és az elvégzendő munkálatokhoz megfelelő típusú fűrészlapokat használjon ⑦
 - a vágás minősége egyaránt növekszik a fűrészfogak számával
 - keményfémlepkés fűrészlapnak 30-szor hosszabb az élettartama mint egy hagyományosé
- Vezetőléc W ⑧
 - pontos párhuzam vágásokhoz
 - kétoldalúan helyezhető be a lábzaatra
- Vezetőléc beállítása
 - engedje ki az X gombot
 - állítsa be a kívánt vágási szélességet a vezetőlécen lévő számozás alapján (a P leolvasót a 0-referenciához használható)
 - húzza meg az X gombot
- Vágás ⑨
 - a kívánt vágási mélységet állítsa be
 - döntse előre a gépet úgy, hogy a leolvasó P mutasson a munkadarabon jelölt vonalra
 - nyissa ki az F alsó fűrészlapvédőt a G karral
 - mielőtt a fűrészlap beleér a munkadarabra kapcsolja be a gépet, és a körfűrészgép hátsó részét lassan nyomja lefelé úgy, hogy az előoldalon lévő lábzaat széle legyen a terhelendő pont

- a gépet lassan engedje lefelé és egyidejűleg nyomja előre
- a G kart engedje ki, amint a fűrészlappal behatol az anyagba

! a gépet soha ne húzza hátrafelé

- Nagyméretű lemezek vagy táblák vágása ⁽¹⁰⁾
 - a vágásvonal mentén támasza alá a lemezt egy munkaasztalon vagy a földön
- ! allítsa be a vágás mélységét úgy, hogy a lemezt elvágja de vigyázzon, hogy a tartóba ne vágjon**
- amennyiben a vezetőlécc nem engedi a kívánt szélesség beállítását, úgy szögeljen egy egyenes faléccel a munkadarabra, amely vezetőléccéként működne a gépet használja a jobboldali lábazzal a vezetőléccen
- A www.skileurope.com címen még több ötletet és javaslatot talál

GARANCIA / KÖRNYEZET

- Mindig tartsa tisztán a gépet és a vezetéket (különös tekintettel a szellőzőnyílásokra)
- ! tisztítás előtt húzza ki a csatlakozódugót**
- Közvetlen a használat után tisztítsa meg a kőfűrészlapot (főleg a gyantától és a ragasztótól)
- Fent említett termékére a SKIL a törvényes/országonként változó előírások szerint vállal garanciát; a garancia nem vonatkozik a szokványos használat során fellépő normális kopásra és a nem megfelelő használat illetve túlterhelés okozta károsodásra
- Panasz esetén küldje az **összeszerelt** gépet a vásárlást bizonyító számlával együtt a kereskedő vagy a legközelebbi SKIL szervizállomás címére (a címlista és a gép szervizdiagramja a www.skileurope.com címen található)
- **Az elektromos kéziszerszámokat, tartozékokat és csomagolást ne dobja a háztartási szemébe** (csak EU-országok számára)
 - a használt villamos és elektronikai készülékekről szóló 2002/96/EK irányelv és annak a nemzeti jogba való átültetése szerint az elhasznált elektromos kéziszerszámokat külön kell gyűjteni, és környezetbarát módon újra kell hasznosítani
 - erre emlékeztet a ⁽¹¹⁾ jelzés, amennyiben felmerül az intézkedésre való igény

CZ

Kotoučová pila

5855

ÚVOD

- Nářadí je určen k provádění podélných a příčných rovných řezů a řezů úhlem zkosení do 45° ve dřevě; s příslušnými pilovými listy lze také řezat nezelezná kovy, lehké stavební materiály a umělé hmoty
- Tuto příručku s pokyny si pečlivě přečtěte a uschovejte

TECHNICKÉ ÚDAJE ⁽¹⁾

BEZPEČNOSTNÍ

VŠEOBECNÉ BEZPEČNOSTNÍ PŘEDPISY

POZOR! Čtete všechny pokyny. Chyby při dodržování níže uvedených pokynů mohou způsobit elektrický úder, požár, event. těžká poranění. Níže použitý pojem „elektronářadí“ se vztahuje na elektronářadí provozované na el. síti (s přípojovacím kabelem).
TYTO PŘEDPISY DOBŘE USCHOVEJTE.

1) PRACOVNÍ MÍSTO

- Udržujte Vaše pracovní místo čisté a uklizené.**
Nepořádek a neosvětlené pracovní oblasti mohou vést k úrazům.
- Se strojem nepracujte v prostředích ohrožených explozí, kde se nacházejí hořlavé kapaliny, plyny nebo prach.** Elektronářadí vytváří jiskry, které mohou prach nebo páry zapálit.
- Děti a jiné osoby udržujte při použití elektronářadí daleko od Vašeho pracovního místa.** Při rozptýlení můžete ztratit kontrolu nad strojem.

2) ELEKTRICKÁ BEZPEČNOST

- Přípojovací zástrčka stroje musí lícovat se zásuvkou. Zástrčka nesmí být žádným způsobem upravena. Společně se stroji s ochranným uzemněním nepoužívejte žádné adaptérové zástrčky.**
Neupravené zástrčky a vhodné zásuvky snižují riziko elektrického úderu.
- Zabraňte kontaktu těla s uzemněnými povrchy, jako např. potrubí, topení, sporáky a chladničky.** Je-li Vaše tělo uzemněno, existuje zvýšené riziko elektrického úderu.
- Chraňte stroj před deštěm a vlhkem.**
Vniknutí vody do elektrického stroje zvyšuje nebezpečí elektrického úderu.
- Dbejte na účel kabelu, nepoužívejte jej k nošení či zavěšení stroje nebo vytažení zástrčky ze zásuvky. Udržujte kabel daleko od tepla, oleje, ostrých hran nebo pohyblivých dílů stroje.** Poškozené nebo spletené kabely zvyšují riziko elektrického úderu.
- Pokud pracujete s elektronářadím venku, použijte pouze takové prodlužovací kabely, které jsou schváleny i pro venkovní použití.**
Použití prodlužovacího kabelu, jež je vhodný pro použití venku, snižuje riziko elektrického úderu.

3) BEZPEČNOST OSOB

- Buďte pozorní, dávejte pozor na to, co děláte a přistupujte k práci s elektronářadím rozumně. Stroj nepoužívejte pokud jste unavení nebo pod vlivem drog, alkoholu nebo léků.** Moment nepozornosti při použití elektronářadí může vést k vážným poraněním.
- Noste osobní ochranné pomůcky a vždy ochranné brýle.** Nošení osobních ochranných pomůcek jako maska proti prachu, bezpečnostní obuv s protiskluzovou podrážkou, ochranná přilba nebo sluchátka, podle druhu nasazení elektronářadí, snižují riziko poranění.

- c) **Zabraňte neúmyslnému uvedení stroje do provozu. Přesvědčte se ještě než zastrčíte zástrčku do zásuvky, že je spínač v poloze „VYPNUTO“.**
Máte-li při nošení stroje prst na spínači nebo pokud stroj připojíte ke zdroji proudu zapnutý, pak to může vést k úrazům.
- d) **Než stroj zapnete, odstraňte seřizovací nástroje nebo šroubovák.** Nástroj nebo klíč, který se nachází v otáčivém dílu stroje, může vést k poranění.
- e) **Nepřeceňujte se. Zajistěte si bezpečný postoj a vždy udržujte rovnováhu.** Tím můžete stroj v neočekávaných situacích lépe kontrolovat.
- f) **Noste vhodný oděv. Nenoste žádný volný oděv nebo šperky. Vlasy, oděv a rukavice udržujte daleko od pohybujících se dílů.** Volný oděv, šperky nebo dlouhé vlasy mohou být zachyceny pohybujícími se díly.
- g) **Lze-li namontovat odsávací či zachycující přípravky, přesvědčte se, že jsou připojeny a správně použity.** Použití těchto přípravků snižuje ohrožení prachem.
- 4) **SVĚDOMITÉ ZACHÁZENÍ A POUŽÍVÁNÍ ELEKTRONÁRAĐÍ**
- a) **Stroj nepřetěžujte. Pro svou práci použijte k tomu určený stroj.** S vhodným elektronářadím budete pracovat v udané oblasti výkonu lépe a bezpečněji.
- b) **Nepoužívejte žádné elektronářadí, jehož spínač je vadný.** Elektronářadí, které nelze zapnout či vypnout je nebezpečné a musí se opravit.
- c) **Než provedete seřízení stroje, výměnu dílů příslušenství nebo stroj odložíte, vytáhněte zástrčku ze zásuvky.** Toto preventivní opatření zabrání neúmyslnému zapnutí stroje.
- d) **Uchovávejte nepoužívané elektronářadí mimo dosah dětí. Nechte stroj používat osobám, které se strojem nejsou seznámeny nebo nečetly tyto pokyny.** Elektronářadí je nebezpečné, je-li používáno nezkušenými osobami.
- e) **Pečujte o stroj svědomitě. Zkontrolujte, zda pohyblivé díly stroje bezvadně fungují a nevzpřichují se, zda díly nejsou zlomené nebo poškozené tak, že je omezena funkce stroje. Poškozené díly nechte před nasazením stroje opravit.** Mnoho úrazů má příčinu ve špatně udržovaném elektronářadí.
- f) **Rezné nástroje udržujte ostré a čisté.** Pečlivě ošetřované rezné nástroje s ostrými reznými hranami se méně vzpřichují a dají se lehčeji vést.
- g) **Používejte elektronářadí, příslušenství, nasazovací nástroje apod. podle těchto pokynů a tak, jak je to pro ten určitý speciální typ stroje předepsáno. Respektujte přitom pracovní podmínky a prováděnou činnost.** Použití elektronářadí pro jiné než určující použití může vést k nebezpečným situacím.
- 5) **SERVIS**
- a) **Nechte Váš stroj opravit pouze kvalifikovaným odborným personálem a pouze s originálními náhradními díly.** Tím bude zajištěno, že bezpečnost stroje zůstane zachována.

BEZPEČNOSTNÍ PŘEDPISY PRO KOTOUČOVOU PILU

NEBEZPEČÍ

- **Nepřibližujte se rukama k řezacímu prostoru ani k pile; druhou rukou držte přední rukojeť** (držíte-li pilu oběma rukama, nemůže vás pila pořezat)
- **Nesahajte pod řezaný předmět** (ochranný kryt vás pod řezaným předmětem před pilou nechrání)
- **Hloubku řezu přizpůsobte tloušťce obrobku** (pod obrobkem by měl být viditelný téměř celý zub pilového listu)
- **Nikdy nedržte řezaný předmět v rukou nebo mezi koleny** (řezaný předmět musí být pevně podepřen, jinak se můžete pořezat, pila se může zaseknout a nástroj nezvládnete)
- **Při práci, při níž se ostří může dostat do styku se skrytými vodiči nebo vlastní přírodní šňůrou, držte nástroj vždy za izolované rukojeti** (při kontaktu se "živým" vodičem budou "živé" i obnažené kovové části nástroje a vystavujete se elektrickému šoku)
- **Používejte-li rozmitací pilu, použijte vždy příslušný ochranný kryt nebo průměrné pravítko** (zvýší se tím přesnost řezu a sníží se nebezpečí zaseknutí pily)
- **K vyřezávání otvorů použijte vždy pilový list správné velikosti a tvaru (diamantový nebo kotoučový)** (nesprávně zvolené listy poběží výstředně a pilu nebudete moci zvládnout)
- **Na nástroji se nesmějí používat poškozené a nesprávné podložky a šrouby** (podložky a šrouby jsou určeny speciálně pro tuto pilu, jinak nebude nástroj správně a bezpečně fungovat)

ZPĚTNÝ VRH - PŘÍČINY

- Ke zpětnému vrhu dojde následkem přiskřípnutí nebo zablokování listu pily nebo při výstředném pohybu listu; pila se přitom nezvládnutě zdvihne a vyjede z řezaného předmětu směrem k pracovníkovi
- Jestliže se pila v řezaném materiálu přiskřípne nebo pevně zablokuje, list pily se zastaví a motor zareaguje tím, že vyhodí nástroj prudce zpět směrem k pracovníkovi
- Jestliže se list pily v řezu zkroutí nebo vystředuje, mohou se zuby na zadním ostří listu zarýt do horního povrchu dřeva, přičemž list vyskočí ze zářezu a nástroj skočí zpět směrem k pracovníkovi

ZPĚTNÝ VRH – OCHRANNÁ OPATŘENÍ

Ke zpětnému vrhu dojde při zneužití či nesprávném použití nástroje nebo za jiných okolností, jimž může pracovník podle opatření uvedených níže předejít

- **Držte nástroj pevně oběma rukama a postavte se tak, abyste svým tělem i pažemi mohli případnému zpětnému vrhu odolat; postavte se k pile z jedné nebo druhé strany, nestůjte přímo za ní** (pila může při zpětném rázu odskočit dozadu, avšak silu způsobenou zpětným rázem lze zvládnout, podniknete-li náležité ochranné kroky)
- **Začně-li pila zadržávat nebo z nějakého důvodu řezání přerušujete, uvolněte spínač a podržte pilu pevně v řezu až do jejího úplného zastavení; nikdy se nesnažte běžící pilu vytáhnout z materiálu nebo jí pohnout dozadu, neboť přitom dojde ke zpětnému vrhu** (při zadržávání pily zjistíte důvody a odstraňte je; dejte pozor, aby pila nenarazila na hřebíky či šrouby)

- **Jestliže pilu v řezu opět spouštíte, řádně ji v něm vystředujte a zkontrolujte, zda se zuby listu nedotýkají řezaného materiálu** (jsou li zuby listu "zakousnuté" do materiálu, může nástroj při spuštění z materiálu vyjet nebo vyskočit zpět)
- **Při řezání velkých desek podepřete obě strany, aby list při řezání neskříply a nedošlo ke zpětnému vrhu** (velké desky se vlastní vahou prohnou; musíte je podepřít na obou stranách, a to poblíž řezu i na obou koncích)
- **Nepoužívejte tupé ani poškozené listy** (při tupém či nesprávně nastaveném ostří bude řez příliš úzký, takže dojde k přílišnému tření, pila se bude zasekávat a způsobí zpětný vrh)
- **Před řezáním nastavte správnou hloubku a skosení řezu a pevně je zajistěte pojistnými páčkami** (jestliže se list při řezání vyhne, může to způsobit zaseknutí a zpětný vrh)
- **Při zapichovacích řezech ve stávající stěně nebo jiné "slepé" ploše buďte obzvlášť opatrní** (vyčnívající ostří může narazit na předměty, které způsobí zpětný vrh)

POZOR!

- **Před každým použitím vždy zkontrolujte, zda se spodní ochranný kryt řádně zavírá**
- **Jestliže se spodní ochranný kryt volně nepohybuje a okamžitě se nezavírá, nesmí se nástroj používat**
- **Spodní ochranný kryt se nesmí zajišťovat v otevřené poloze**
- Jestliže pilu náhodou upustíte, může se spodní ochranný kryt ohnout; v tomto případě spodní ochranný kryt zasouvací rukojetí zdvihnete a zkontrolujete, zda se volně pohybuje a při libovolném úhlu a hloubce řezání se nedotýká ani listu, ani žádné jiné části nástroje
- **Zkontrolujte, zda pero spodního ochranného krytu správně funguje; jestliže ochranný kryt nebo pero správně nefunguje, musí se nástroj před použitím opravit** (poškozené součástky, lepkavost a usazené nečistoty způsobí pomalou reakci spodního ochranného krytu)
- **Spodní ochranný kryt se smí zdvihnout ručně pouze při provádění speciálních úkonů, jako jsou zapichovací a složené řezy; v tomto případě ochranný kryt zasouvací rukojetí zdvihnete a jakmile list pily materiál nařízne, musíte kryt spustit** (u všech ostatních způsobů řezání by měl kryt fungovat automaticky)
- **Než nástroj odložíte na stůl nebo na podlahu, vždy zkontrolujte, zda je list pily zakrytý spodním ochranným krytem** (jestliže pila pomalu dobíhá a není chráněná, bude "kráčet" dozadu a řezat vše, s čím přijde do styku; nezapomeňte, že po uvolnění spínacího tlačítka pila chvíli dobíhá)
- Před začátkem řezání z obrobku odstraňte šrouby, hřebíky a ostatní kovové části; které by mohly při řezání přístroj poškodit
- Při přerušení práce nářadí vypněte a vyčkejte do úplného zastavení pilového listu
- Při užívání prodlužovacího kabelu je třeba dbát na to, aby byl kabel úplně zarolovaný a měl kapacitu ve výši 16 A
- V případě zaseknutí nářadí či jiné závady okamžitě nářadí vypněte a vytáhněte zástrčku z el. sítě

- SKIL zajistí bezvadnou funkci nářadí pouze tehdy, používáte-li původní značkové
- Používejte pouze příslušenství, jejichž dovolené otáčky jsou alespoň tak vysoké jako nejvyšší otáčky stroje naprázdno
- Nikdy nepoužívejte nářadí bez originálního chrániče
- Nářadí je určen uživateli starším 16-ti let
- Hladina hluku může při práci přesáhnout 85 dB(A); vhodným prostředkem si chraňte udi
- Jestliže přívodní dhůra při práci podkodíte nebo proříznete, nedotýkejte se jí a okamžitě ji vytáhněte ze síťové zásuvky
- Pila se nesmí používat, je-li její přívodní dhůra podkozená; nechte si ji kvalifikovanou osobou vyměnit
- Vždy zkontrolujte, zda je napájecí napětí stejné jako napětí uvedené na typovém štítku nástroje (nářadí určené k napájení 230V nebo 240V lze použít též v síti 220V)
- Nářadí není vhodné k řezání za vlhka
- Po vypnutí nářadí nikdy nepřibrzdujte pilové listy tlakem ze strany
- Není přípustné používání listů z vysoce legovaných, rychle pracujících ocelí (HSS)
- Nikdy nepoužívejte brusné/řezné kotouče s tímto nářadím
- Pilu nepoužívejte k řezání materiálů obsahujících azbest
- Použít masku proti prachu v případě práce s materiály, které produkují prach ohrožující zdraví; předem se informujte o materiálech, na kterých budete pracovat
- Nezkoušejte řezat extrémně malé výrobky
- Před začátkem řezání odstraňte z řezané dráhy všechny překážky jak nahoře tak vespod obrobku
- S nářadím nepracujte nad hlavou
- Používejte pouze pilový stůl obsahující bezpečnostní spínač zabraňující neúmyslnému spuštění po přerušení napětí
- Používejte pouze pilový stůl obsahující rozvěrný klín
- **Před seřizováním, měněním pilových listů a příslušenství, vždy vytáhněte zástrčku nářadí z el. sítě**

POUŽITÍ

- Výměna pilového listu ③
 - vyjměte klíče šestihřanný A z držáku B
 - stlačte blokovací tlačítko vřetene C a podržte stlačené, zatímco vyšroubujete šroub upevnění listu pily D imbusový m šestihřanným klíčem, kterým otáčíte ve
- ! **blokovací tlačítko vřetene C stlačte pouze tehdy, když je nářadí v klidu**
 - uvolněte blokovací tlačítko vřetene C
 - odstraňte upevňovací podložku E
 - otevřete spodní ochranný kryt pily F stlačením páky G a držte ji, zatímco vyměňujete list pily tak, že zuby pily a šípka natištěná na listu pily směřují stejným směrem jako šípka na spodním ochranném krytu
 - uvolněte spodní ochranný kryt F
 - nasadte podložku E
- ! **zajistěte, že povrchy přírub H jsou naprosto čisté a že přiléhají na list pily**

- zatlačte blokovací tlačítko vřetene C a držte, zatímco utáhnete šroub upevnění listu pily šestihranným klíčem o 1/8 otáčky a to velmi mírně (to zajišťuje prokluzování listu pily, jakmile se pila setká s příliš velkým odporem; tak se sníží přetížení motoru a zpětné trhnutí pily)
- uvolněte blokovací tlačítko vřetene C
- Nastavení hloubky řezu (0-55 mm) ④
 - pro optimální kvalitu řezu by pilový list neměl zasahovat více než 3 mm pod obrobek
 - uvolněte páku J
 - vytáhněte/snižte patu K až do požadované hloubky řezu vyznačeného na stupnici pomocí indikátoru L
 - utáhněte páku J
- Nastavení úhlu řezu (0-45°) ⑤
 - uvolněte kliku M
 - nakloňte nářadí až do požadovaného úhlu řezu vyznačeného na stupnici pomocí indikátoru N
 - utáhněte kliku M

! v případě úhlového řezání nesouhlasí skutečná hloubka řezu s hloubkou řezu uvedenou na stupnici
- Kontrola řezacího úhlu 90° ⑤
 - nastavte a utáhněte patu K na max. hloubku řezu ④
 - nastavte a utáhněte řezací úhel na 0°
 - pomocí úhelníku zkontrolujte 90° úhel mezi pil. listem a spodní částí paty
- Nastavitelný indikátor linie řezu P ⑥a
 - pro přesné vedení nářadí po obrobku v požadovaném směru
 - při přímém řezání v rozsahu úhlů 0°-45° indikátor kopíruje obrobek

! pata by měla být plně přitlačena k obrobku

 - dá se nastavit tak, aby vám to umožnilo zvolit, zda odpadávající materiál je na vnitřní nebo vnější straně listu ⑥b

! šířka řezu je dána šířkou rozvedení zubů listu, nikoliv tloušťkou listu

! vždy proveďte nejdříve zkušební řez pro ověření skutečné linie řezu
- Odsávání prachu
 - odsávací hadice nasazená na adaptér Q ②

! dbějte, aby hadice odsávače při řezání nepřekážela spodnímu chrániči a obsluze nářadí

 - můžete použít lapač prachu (SKIL příslušenství 2610387402)
- Použití nástroje ②
 - zapněte zástrčku do sítě el. energie
 - neustále pevně držte jednou rukou rukojeť R a druhou rukou rukojeť S
 - umístěte nářadí přední hranou paty na obrobek

! ujistěte se, že zuby pilového listu nejsou zaseknuty do obrobku

 - spusťte nářadí nejdříve stisknutím tlačítka T (= bezpečnostní spínač, který nemůže být zaaretován) a poté stisknutím spouště V

! nářadí by neměl běžet na plný výkon před vniknutím do obrobku

- pronikáním pilového listu do obrobku se automaticky otevírá spodní chránič F (použitím páky G můžete otevřít spodní chránič ručně - pouze pro speciální řezání, např. ponorné řezání)
 - netlačte prudce na nářadí; používejte lehký kontinuální
 - tlak po ukončení řezání vypněte nářadí uvolňováním spouště V
- ! před vyjmutím nářadí z obrobku nejdříve sečkejte do úplného zastavení pilového listu**

NÁVOD K POUŽITÍ

- Při řezání položte obrobek tak, aby strana s lepším povrchem byla vespod k zajištění min. štěpení
- Používejte pouze ostré pilového listy správného typu ⑦
 - kvalita řezu se zvýší počtem ozubení na pilového listu
 - pilového listy z tvrdých kovů mají až 30 krát delší životnost než běžné pilového listy
- Paralelní doraz W ⑧
 - k provádění přesných řezů podél hrany obrobku
 - může být připevněn ke kterékoliv straně paty

Nastavení paralelního dorazu

 - uvolněte kliku X
 - nastavte požadovanou šířku řezání použitím stupnice paralelního dorazu (použijte indikátor linie řezu P jako 0-vodítko)
 - utáhněte kliku X
- Ponorné řezání ⑨
 - nastavte požadovanou hloubku řezu
 - nakloňte nářadí vpřed indikátorem linie řezu přesně nad požadovanou trasu řezu, na obrobku předem zvýrazněnou
 - pomocí páky G otevřete spodní chránič F
 - těsně před vniknutím listu do obrobku spusťte nářadí a pozvolně snižujte zadní část paty použitím přední hrany paty jako pantu
 - neustále pohybujte nářadím směrem dolů a vpřed
 - jakmile list pily materiál nařizne, můžete uvolnit páku G

! nikdy neved'te nářadí ve zpátečním směru
- Řezání velkých panelů ⑩
 - přiložte panel přiléhavě k řezací podlaze, stolu nebo lavici

! nastavte hloubku řezu tak, aby umožňovala prořezání pouze panelu, nikoliv podložky

 - v případě, že paralelní doraz nebude svým rozsahem postačovat požadované šířce řezu, přitiskněte k panelu přímou dřevěnou lištu jako vodítko ved'te pravou stranu paty podél této lišty
- Další tipy najdete na www.skileurope.com

ZÁRUKA / ŽIVOTNÍ PROSTŘEDÍ

- Nástroj a přírodní šňůru udržujte čisté (zejména větrací štěrby)
- **! před čištením nástroje rozpojte přírodní šňůru**
- Pilové listy čistěte okamžitě po jejich použití (především od pryskyřice a lepidla)

- Na tento výrobek značka SKIL platí záruka podle statutárních regulací dané země; poškození způsobené běžným opotřebením, přetížením a nesprávným použitím není zárukou kryto
- V případě urgencye zašlete nástroj **nerozebraný** spolu s potvrzením o nákupu své prodejně nebo nejbližšímu servisu značky SKIL (adresy a servisní schema nástroje najdete na www.skileurope.com)
- **Elektrické nářadí, doplňky a balení nevyhazujte do komunálního odpadu** (jen pro státy EU)
 - podle evropské směrnice 2002/96/EG o nakládání s použitými elektrickými a elektronickými zařízeními a odpovídajících ustanovení právních předpisů jednotlivých zemí se použitá elektrická nářadí, musí sbírat odděleně od ostatního odpadu a podrobit ekologicky šetrnému recyklování
 - symbol (T) na to upozorňuje

TR

Daire testere

5855

GİRİS

- Bu alet, sabit dayama suretiyle tahtada düz ve 45°'ye kadar açılı kesme işleri için geliştirilmiştir; uygun testere bıçaklarıyla demir dışı metaller, hafif yapı malzemeleri ve plastikler de kesilebilir
- Bu kullanma kılavuzunu okuyun ve saklayın

TEKNİK VERİLER (1)

GÜVENLİK

GENEL GÜVENLİK TALİMATI

DİKKAT! Bu talimatın bütün hükümlerini okuyun.

Aşağıdaki talimat hükümlerine uyarken hata yapılacak olursa, elektrik çarpmaları, yangın ve/veya ağır yaralanmalara neden olunabilir. Aşağıda kullanılan "Elektrikli el aleti" kavramı ile akım şebekesine bağlı elektrikli el aletleri (bağlantı kablolu) ifade edilmektedir. BU GÜVENLİK TALİMATINI GÜVENLİ BİR YERDE İYİ BİR BİÇİMDE SAKLAYIN.

1) ÇALIŞMA YERİ

- Çalıştığınız yeri temiz ve düzenli tutun.** İşyerindeki düzensizlik ve yetersiz aydınlatma kazalara neden olabilir.
- Yanıcı sıvıların, gazların veya tozların bulunduğunu patlama tehlikesi olan yer ve mekânlarda aletinize çalışmayın.** Elektrikli el aletleri, toz veya buharların tutuşmasına veya yanmasına neden olan kıvılcıklar çıkarırlar.
- Elektrikli el aletinize çalışırken çocukları ve başkalarını çalışma alanınızın uzağında tutun.** Yakınızdaki bulunan kişiler dikkatinizi dağıtabilir ve bu da alet üzerindeki kontrolünüzü kaybetmenize neden olabilir.

2) ELEKTRİKSEL GÜVENLİK

- Aletinizin bağlantı fişi prize uymalıdır. Fişi hiçbir şekilde değiştirmeyin. Korumayıcı topraklamalı aletlerle adaptörlü fiş kullanmayın.** Değiştirilmemiş, orijinal fiş ve uygun prizler elektrik çarpmaya tehlikesini azaltır.
- Borular, kalorifer tesisatı, ısıtıcılar ve buzdolapları gibi topraklanmış yüzeylerle bedensel temasa gelmekten kaçının.** Eğer bedeniniz topraklanacak olursa yüksek bir elektrik çarpmaya tehlikesi ortaya çıkar.
- Aletinizi yağmur ve nemden koruyun.** Elektrikli el aletinin içine suyun sızması elektrik çarpmaya tehlikesini yükseltir.
- Kabloyu kendi amacı dışında kullanmayın; örneğin aleti topraklanmış tutarak taşımayın, aleti kablo ile asmayın veya kablodan çekerek fişi prizden çıkarmayın. Kabloyu aşırı sıcaktan, yağlardan, keskin kenarlı cisimlerden veya aletin hareketli parçalarından uzak tutun.** Hasarlı veya dolaşmış kablo elektrik çarpmaya tehlikesini yükseltir.
- Elektrikli el aletinizle açık havada çalışırken mutlaka açık havada kullanılmaya müsadeleli uzatma kablosu kullanın.** Açık havada kullanılmaya uygun ve müsadeleli uzatma kablosunun kullanılması elektrik çarpmaya tehlikesini azaltır.

3) KİŞİLERİN GÜVENLİĞİ

- Dikkatli olun, ne yaptığınıza dikkat edin ve elektrikli el aletinizle çalışırken makul hareket edin. Yorgunsanız, hap, ilaç veya alkol almışsanız aletinizi kullanmayın.** Aletinizi kullanırken bir anlık dikkatsizliğiniz ciddi yaralanmalara yol açabilir.
- Daima kişisel korunma donanımları ve bir koruyucu gözlük kullanın.** Elektrikli el aletinin türü ve kullanımına uygun olarak kullanacağınız toz maskesi, kaymayan sağlam iş ayakkabıları, koruyucu kask veya koruyucu kulaklık gibi kişisel korunma donanımlarını kullanmanız yaralanma tehlikesini büyük ölçüde azaltır.
- Aletinizin kontrolünüz dışında çalışmaması için gerekli önlemleri alın. Fişi prize takmadan önce açma/kapama şalterinin mutlaka "Kapalı" konumunda olduğundan emin olun.** Aleti taşırken parmağınız açma/kapama şalteri üzerinde ise veya aleti açık durumda akım şebekesine bağlayacak olursanız kaza tehlikesi ile karşılaşabilirsiniz.
- Aleti çalıştırmadan önce ayar aletlerini veya tornavidaları aletten uzaklaştırın.** Dönen alet parçasına temas halinde bulunan bir uç veya anahtar yaralanmalara neden olabilir.
- Kendinize çok fazla güvenmeyin. Duruşunuzun güvenli olmasına dikkat edin ve daima denginizi koruyun.** Bu sayede aletinizi beklenmedik durumlarda daha iyi kontrol edersiniz.
- Uygun iş giysileri giyin. Çalışırken çok bol giysiler giymeyin ve takı takmayın. Saçlarınızı, giysilerinizi ve eldivenlerinizi aletin hareketli parçalarından uzak tutun.** Bol giysiler, takılar veya uzun saçlar aletin hareketli parçaları tarafından tutulabilir.

- g) **Aletinize toz emme donanımı ve toz tutma donanımı takılabiliyorsa, bunların bağlı olup olmadığını ve doğru işlev görüp görmediklerini kontrol edin.** Bu gibi donanımların kullanılması tozlardan gelebilecek tehlikeleri azaltır.
- 4) **ELEKTRİKLİ EL ALETLERİYLE DİKKATLİ ÇALIŞMAK VE ALETİ DOĞRU KULLANMAK**
- a) **Aletinizi aşırı ölçüde zorlamayın. İşinize uygun elektrikli el aletini kullanın.** Uygun elektrikli el aleti ile belirtilen performans alanında daha iyi ve daha güvenli çalışırsınız.
- b) **Açma/kapama şalteri arızalı olan elektrikli el aletini kullanmayın.** Açılıp kapanamayan bir elektrikli el aleti tehlikelidir ve onarılması gerekir.
- c) **Aletin kendinde bir ayarlama yapmadan, aksesuarı değiştirmeden veya aleti elinizden bırakmadan önce fişi prizden çekin.** Bu önlem, aletin kontrolünüz dışında ve istenmeden çalışmasını önler.
- d) **Kullanım dışında iken elektrikli el aletinizi çocukların ulaşamayacağı bir yerde saklayın. Aleti kullanmayı bilmeyen veya bu güvenlik talimatını okumayan kişilerin aleti kullanmasına izin vermeyin.** Deneyimsiz kişiler tarafından kullanıldıkları takdirde elektrikli el aletleri tehlikeli olabilirler.
- e) **Aletinizi bakımını özenle yapın. Aletin hareketli parçalarının kusursuz işlev görüp görmediklerini ve sıkışmadıklarını, parçaların kırık veya hasarlı olup olmadıklarını kontrol edin, aksi takdirde alet işlevini tam olarak yerine getiremez. Aletinizi kullanmadan önce hasarlı parçaları onartın.** Birçok iş kazası aletlerin kötü ve yetersiz bakımından kaynaklanır.
- f) **Kesici uçları keskin ve temiz tutun.** İyi bakım görmüş kesici uçlar daha ender sıkışır ve daha iyi yönlendirilirler.
- g) **Elektrikli el aletlerini, aksesuarı, uçları ve benzerlerini bu güvenlik talimatına uygun olarak ve alet tipine özgü kurallara uyarak kullanın. Aletinizi kullanırken çalışma koşullarını ve yaptığınız işi daima dikkate alın.** Elektrikli el aletlerini kendileri için öngörülen işlerin dışında kullanmak tehlikeli durumların ortaya çıkmasına neden olabilir.
- 5) **SERVİS**
- a) **Aletinizi sadece uzman bir elemana ve orijinal yedek parçalar kullanılarak onartın.** Böylelikle aletin güvenliğini korumuş olursunuz.

GÜVENLİK TALİMATI DAİRE TESTERESİ İÇİN

TEHLİKE

- **Ellerinizi kesim bölgesinden ve testere bıçağının uzak tutun; diğer elinizle testerenin ön kısmındaki sapı tutun** (testereyi iki elinizle tuttuğunuz zaman, ellerinizin testere bıçağı tarafından kesilmesi önlenmiş olacaktır)
- **Kestiğiniz cismin alt kısmından ellerinizi uzak tutun** (koruma ünitesi sizi cismin altındaki testere bıçağından koruyamaz)
- **Testerenin kesme derinliğini iş parçasına göre ayarlayınız** (iş parçasının altından sadece testere bıçağının dişleri görünecek şekilde ayarlayınız)

- **Kestiğiniz cismi kesinlikle ellerinizde veya bacaklar üzerinde tutmayın** (vücudu olası tehlikelere karşı korumak ve bıçağın kaymasını ya da kontrol kaybını önlemek için kestiğiniz cismin sabit ve sağlam bir şekilde desteklenmesi gerekir)
- **Testere bıçağının çevredeki kablolar (veya kendi kablosu) ile temas edebileceği kesim çalışmalarında testereyi iletken olmayan özel saplarından tutmaya özen gösterin** (elektrik akımı olan bir kablo ile temas halinde testeredeki metal parçalar da elektrik akımı olarak kullanıcının elektriğe çarpılmasına neden olacaktır)
- **Yan kesim yaparken her zaman yan dayamak veya düz kenar ayarı kullanın** (böylece daha mükemmel kesim sonucu elde eder, testere bıçağının kayma olasılığını azaltmış olursunuz)
- **Daima mil deliklerine uygun şekil ve ölçüye sahip testere bıçakları kullanın (elmas ya da daire)** (testere ile uyumlu olmayan bıçakların takılması halinde testere düzensiz bir biçimde çalışarak kontrol kaybına neden olacaktır)
- **Kesinlikle zarar görmüş veya uygunsuz bıçak yıkayıcıları ya da civatalar kullanmayın** (bıçak yıkayıcısı ile civata testereniz için özel olarak tasarlanmıştır ve maksimum performans ile kullanım emniyeti sağlar)

GERİ TEPME - NEDENLERİ

- Geri tepme olarak tabir edilen durum, sıkışan, seken veya hizadan çıkan bir testere bıçağının yaptığı ani harekettir; bu ani hareket, kontrol dışına çıkan testerenin kesilmekte olan parçadan çıkarak testere kullanıcısının üzerine doğru yönelmesine neden olur
- Testere bıçağının kesim hattının daralması veya kapanması sonucu sıkışması ya da takılması, testerenin dönmesini engeller ve motorun tepkimesi sonucu kesim birimi aniden ve süratle testere kullanıcısına doğru geri tepebilir
- Testere bıçağı kesim esnasında ters dönerse ya da hizadan çıkarsa, bıçağın arka kenarındaki dişler kesilen cismin üst tabakasının içine kazılarak bıçağın kesim hattından çıkıp kullanıcının üzerine doğru tepmesine neden olabilir

GERİ TEPME - KULLANICI TEDBİRLERİ

- Geri tepme, hatalı alet kullanımı ve/veya yanlış kullanım işlemleri veya koşulları sonucu meydana gelir ve aşağıdaki tedbirlere uyulması halinde önlenilecek bir tehliktir
- **Testere tutacaklarını iki elle sıkıca tutun ve kolunuzu olası bir geri tepmeyi karşılayabilecek şekilde pozisyonlandırın; testere bıçağının yan taraflarından birinde durmaya özen gösterin, kesinlikle testere bıçağının kesim hattı üzerinde durmayın** (geri tepme yüzünden testere aniden geri hareket edebilir, kullanıcının doğru tedbirleri alması halinde geri tepme gücü kontrol edilebilir hale gelir)

- **Testere bıçağı takılırsa, ya da kesme işlemine hangi nedenle olursa olsun ara vermek istediğinizde, çalıştırma düğmesini bırakın ve testereyi bıçak tamamen hareketsiz hale gelene kadar sabit tutun; testereyi, bıçak henüz çalışır haldeyken kesinlikle cisimden çıkarmayın ya da geriye doğru çekmeyin; aksi takdirde geri tepme meydana gelebilir** (kesme çalışmalarına başlamadan önce, testerenin takılmasına neden olabilecek engelleri kaldırın, gerekli tedbirleri alın ve çivi veya vida gibi cisimleri kesmemeye özen gösterin)
- **Testereyi, kesme işlemine devam etmek için tekrar cisimdeki kesim hattına soktuğunuzda, testere bıçağını kesimin ortasına yerleştirin ve testere dişlerinin cisim ile temas etmemesine özen gösterin** (aksi takdirde, testerenin tekrar çalıştırılması halinde bıçak dişleri geri tepmeye neden olabilir)
- **Testere bıçağının sıkışmasını ve geri tepmeyi önlemek için keseceğiniz geniş panellerde destek kullanın** (geniş paneller kesilirken kendi ağırlığı altında sarkma belirtisi gösterir; bu nedenle kesilen panelin alttan her iki taraftan, hem kesim hattına yakın bir yerden hem kenarlardan desteklenmesi gerekir)
- **Körelmiş veya hasarlı bir bıçak kullanmayın** (bilinmemiş veya uygun takılmamış bıçaklar dar bir kesime yol açarak aşırı sürtünmeye, kesim aletinin takılmasına ve geri tepmeye neden olur)
- **Bıçağın kesim derinliğini ve açi ayarını düzenleyen manivellelerin kesme işlemine başlamadan önce sıkıca ve emniyetli bir biçimde kurulmuş olmasına özen gösterin** (eğer testere bıçağının açısını ve derinliğini ayarlayan parçalar kesim esnasında yerinden oynarsa, bu bıçağın takılmasına ve geri tepmeye neden olabilir)
- **Yukarıdan aşağı doğru yapılan kesimlerde, olası duvar veya benzeri (görünmeyen) engellere dikkat edin** (çıktırı halindeki testere bıçağı geri tepmeye neden olabilecek cisimleri kesebilir)

DİKKAT!

- **Her kullanımdan önce testerenin alt koruyucusunun düzgün biçimde kapanıp kapanmadığını kontrol edin**
- **Alt koruyucunun serbestçe hareket etmemesi ve anında kapanmaması halinde testereyi çalıştırmayın**
- **Alt koruyucuyu hiçbir zaman açık pozisyona gelecek biçimde sıkıştırmayın veya bağlamayın**
- Testerenin yanlışlıkla düşmesi halinde meydana gelen darbe sonucu alt koruyucu eğilmiş olabilir; bu durumda alt koruyucuyu geriye çekilebilen tutacak ile kaldırarak serbestçe hareket edebilmesini sağlayın; ayrıca alt koruyucunun hiçbir kesim açısı ve derinliğinde testere bıçağı veya başka parçalar ile temas haline gelmemesi için özen gösterin
- **Alt koruyucuya bağlı yayın düzgün biçimde çalışır durumda olup olmadığını kontrol edin; eğer koruyucu ile yay düzgün biçimde çalışmıyorsa, ürünün yetkili servis tarafından bakımı yapılmalıdır** (zarar görmüş parçalar, yapışkan birikintiler veya birikmiş döküntüler alt koruyucunun ağır çalışmasına neden olabilir)

- **Alt koruyucu, sadece yukarıdan aşağı yapılan kesimler ve küçük parçaların kesimi gibi özel işlemlerde elle geriye çekilmelidir; alt koruyucuyu tutacağı geriye doğru çekerek kaldırın ve testere bıçağı cismi kesmeye başladığı anda alt koruyucuyu bırakın** (tüm diğer kesim biçimlerinde alt koruyucu otomatik olarak çalıştırılmadığı)
- **Testereyi kesim tezgahına veya zemine bırakmadan önce, alt koruyucunun testere bıçağını kaplayarak örtmesine özen gösterin** (koruyucusu olmayan ve çalışır durumda olan bir bıçak testerenin geriye doğru hareket etmesine ve hareket hattında bulunan herşeyi kesmesine neden olacaktır; testereyi kapattıktan sonra bıçağın tamamen hareketsiz hale gelmesi için gerekli olan süreyi hiçbir zaman gözden kaçırmayın)
- İş parçanızda bulunabilecek vida, çivi ve benzeri parçaları çalışmadan önce çıkararak, olası hasarları önleyin
- Aletinizi bırakıp gitmeden önce mutlaka kapatın ve döner parçaların tam olarak durmasını bekleyin
- Uzatma kablosu kullanıyorsanız, kablunun tam olarak açılmış olmasına ve en azından 16 A'lık bir kapasiteye sahip olmasına dikkat edin
- Aletiniz bloke olursa, veya alet normal çalışmıyorsa veya değişik gürültüler geliyorsa, aleti hemen kapatın ve fişi prizden çekin
- SKIL sadece orijinal aksesuarlar kullanıldığında aletin düzgün çalışmasını garanti eder
- Bu aletle kullanacağınız aksesuar edilen devir sayısı en azından aletin boştaki en yüksek devir sayısı kadar olmalıdır
- Orijinal koruma tertibatı olmadan aleti asla kullanmayın
- Bu aleti 16 yaşından küçükler kullanamaz
- Cihaz çalışırken gürültü seviyesi 85 dB(A) desibele kadar çıkabilir; kulak koruyucu kullanınız
- Eğer cihazı kullanırken kordon hasar görür yada kesilirse, kordona kesinlikle dokunmayınız ve derhal fişi çekiniz
- Kordon hasarlı iken cihazı kesinlikle kullanmayınız; uzman bir kişi tarafından değiştiriniz
- Güç geriliminin, cihazın özellik plakasında belirtilen voltaj değeriyle aynı olduğunu sık sık kontrol edin (230V veya 240V aletler 220V kaynağa bağlanabilir)
- Bu alet sulu kesme işlerine uygun değildir
- Aleti kapattıktan sonra testere bıçağını yan taraftan bastırarak frenlemeyin
- HSS testere bıçaklarının bu aletle kullanılmasına müsaade yoktur
- Bu aletle taşıma/kesme kesme diskleri kullanmayın
- Bu aletle asbest içeren malzemeleri işleme yin
- Sağlığa zararlı toz çıkaran malzemelerle çalışırken mutlaka toz maskesi kullanın; üzerinde çalışılacak malzeme hakkında önceden bilgi edinmeniz gerekli tedbirleri almanıza yardımcı olacaktır
- Çok kuçuk iş parçalarını kesmeyi denemeyin
- Kesme işlemine başlamadan önce, kesme hattı altındaki ve üstündeki bütün engelleri uzaklaştırın
- Aleti başınızın üstünde tutarak çalışmayın
- Kullandığınız kesme masasının mutlaka, elektrik kesintilerinden sonra motorun yeniden ve kontrol dışı çalışmasını önleyecek bir şalteri olmalıdır

- Kullandığınız kesme masasının mutlaka, bir yarma kaması olmalıdır
- **İstedığınız ayar değişikliklerini ve aksesuar değişikliklerini yapmadan önce mutlaka şebeke fişini prizden çekin**

KULLANIM

- Testere bıçağı değiştirme ③
 - altıgen anahtarını A levhasındaki B tutucusundan alın
 - bıçak pimini D altıgen anahtarı ile çevirerek çıkarırken, eksen kilidi düğmesine C basın ve tutun
 - ! **eksen kilidi düğmesine C yalnızca alet çalışmıyorken basın**
 - eksen kilidi düğmesini C bırakın
 - halkayı E çıkartın
 - şekilde gösterilen kolu G kullanarak alt emniyet parçasını F açın, testere bıçağı üzerindeki oklar ile alt emniyet parçası üzerindeki oklar aynı yönü göstermelidir
 - alt emniyet parçasını F bırakın
 - halkayı E takın
 - ! **halkaların testereye değen kısımlarının H tamamen temiz olmasına dikkat edin**
 - bıçak pimini altıgen anahtarı ile 1/8 oranında sıkıca takarken, eksen kilidi düğmesine C basın ve tutun (sert maddeler üzerinde kesim yaparken testere bıçağının yerinden oynamasını yada testerenin aniden sıçramasını ve motora yüklenilmesini önler)
 - eksen kilidi düğmesini C bırakın
- Kesme derinliğinin ayarlanması (0-55 mm) ④
 - kesme kalitesinin optimal olarak sağlanabilmesi için testere bıçağının iş parçasının altından 3 mm'den fazla çıkmaması gerekir
 - kolunu J gevşetin
 - göstergeden L yararlanarak, ayağı K kaldırma/indirme açısı çizelgesinde istediğiniz kesme derinliği ayarlayın
 - kolunu J tekrar sıkın
- Kesme açısının ayarlanması (0-45°) ⑤
 - düğmeyi M gevşetin
 - göstergeden N yararlanarak, aleti devirmek suretiyle açısı çizelgesinde istediğiniz kesme açısını ayarlayın
 - düğmeyi M tekrar sıkın
 - ! **gönyeli kesme sırasında derinlik çizelgesinde görülen kesme derinliği gerçek kesme derinliği değildir**
- 90°-Kesme açısı kontrolü ⑥
 - ayağı K maksimum kesme derinliğine ayarlayın ve sıkın ④
 - kesme açısını 0°'ye ayarlayın ve sıkın
 - bir gönye ile testere bıçağı ve ayak alt kenarı arasındaki 90°'yi kontrol edin
- Ayarlanabilir bıçak korumalığı P ⑥a
 - aletin, iş parçası üzerine çizilen kesme hattı üzerinde hassas biçimde yönlendirilmesini sağlar
 - 0°'lik düz kesme işlerini veya ilgili gösterge hatlarını kullanarak 45°'lik gönyeli kesme işlerini sağlar
 - ! **ayağın büyük bölümü, iş parçasının yaslanmış bölümü üzerinde olmalıdır**

- atılacak parçanın mı yoksa ihtiyacınız olan parçanın mı bıçağın iç yada dış kısmında olmasını seçmenizi sağlayacak şekilde ayarlanabilir ⑥b
- ! **kesme genişliği, testere bıçağı kalınlığı ile değil, testere bıçağı dişlerinin genişliği ile belirlenir**
- ! **gerçek kesme çizgisini kontrol etmek için daima bir deneme kesmesi yapın**
- Toz emme
 - üzerine emme elektrik süpürgesinin hortumunu adaptörü Q ② takın
 - ! **elektrik süpürgesi hortumu hiçbir zaman alt bıçak koruma parçası deliğini kapatmamalı veya kesme işlemine engel olmamalıdır**
 - yaparken bir toz torbası kullanılabilir (SKIL aksesuarı 26110387402)
- Aleti kullanma ②
 - şebeke fişini prize takın
 - daima bir elinizle R tutamağını, diğer elinizle de S tutamağını tutun
 - aletin ayağının ön tarafını iş parçası üzerine pozisyonlayın
 - ! **testere bıçağı dişlerinin iş parçasını saplı olmamasına dikkat edin**
 - önce başparmağınızla düğmeye T basıp (= sabitlenemeyen emniyet şalteri) şaltere V basmak suretiyle aleti çalıştırın
 - ! **testere, testere bıçağı iş parçası içine girmeden önce maksimum hıza erişmelidir**
 - testere bıçağı iş parçası içine sokulunca alt bıçak koruma parçası F kendiliğinden açılır (alt bıçak koruma parçasını sadece özel işler için, örneğin yerleştirici kesmeler için elle açın; bunu yaparken de kolu G kullanın)
 - aleti aşırı ölçüde zorlamayın; hafif ve sürekli bastırılmaya dikkat edin
 - kesme işleminden sonra şalteri V boşa alarak aleti kapatın
 - ! **aleti iş parçasından çıkarmadan önce testere bıçağının tam olarak durmasını bekleyin**

UYGULAMA

- Parçalanma ve yarılmaları minimum düzeyde tutabilmek için iş parçasının iyi olan tarafını daima aşağı bakacak biçimde yerleştirin
 - Daima doğru tip ve keskin testere bıçakları kullanın ⑦
 - kesme kalitesi dişlerin sayısı ile düz orantılı olarak artar
 - sert metalli testere bıçaklarının kullanım ömrü, geleneksel testere bıçaklarına oranla 30 kat daha uzundur
 - Yan dayamak W ⑧
 - iş parçası kenarlarının hassas paralel kesimlerini sağlar
 - ayağın her iki yanına da takılabilir
- Yan dayamağın ayarlanması
- düğmeyi X gevşetin
 - yan dayamak çizelgesi yardımı ile istediğiniz kesme genişliğini ayarlayın (bıçak korumalığı P 0-referans olarak kullanın)
 - düğmeyi X tekrar sıkın

- Yerleştirme kesimi ⑨
 - istediğiniz kesme derinliğini ayarlayın
 - bıçak korumalı P iş parçası üzerine çizilmiş bulunan kesme hattına doğrultulmuş biçimde aleti öne devirin
 - kol G yardımı ile alt bıçak koruma parçasını F açın
 - testere bıçağı iş parçasına dalmadan hemen önce aleti çalıştırın ve aletin arka kısmını, ön ayak kenarını dayama noktası olarak kullanılarak, yavaşça indirin
 - aleti yavaşça aşağı indirin
 - testere bıçağı cismi kesmeye başladığı, kolu G gevşetin
- ! **aleti prensip olarak geri sürmeyin**
- Büyük levhaların veya tablaların kesilmesi ⑩
 - kesilecek levhayı, kesme hattı yakın olacak biçimde yere, bir masaya veya bir tezgâha yatırın
- ! **kesme derinliğini, levha tam kesilecek ve zemin kesilmeyecek ölçüde ayarlayın**
- eğer yan dayamak istenen kesme genişliğine olanak sağlamıyorsa, kılavuz işlevi görmek üzere düz bir çitayı iş parçası üzerine yapııştırıp veya çiviledikten sonra, aleti, sağ ayak tarafı bu çitayı izleyecek biçimde hareket ettirin
- Daha fazla ipucu için www.skileurope.com sitesini gezin

GARANTİ / ÇEVRE

- Aleti ve kablosunu daima temiz tutun (özellikle havalandırma yuvalarını)
- ! **temizlemeden önce, cihazın fişini prizden çekin**
- Testere bıçağını işiniz biter bitmez temizleyin (özellikle üzerinde reçine ve tutkal kalıntıları varsa)
- Bu SKIL ürünü yasal/ülkeye özel yönetmeliklere göre garanti altındadır, normal aşınma ve yıpranmadan doğabilecek hasarlar, aşırı yüklenme veya yanlış kullanım garantisi kapsamında değildir
- Şikayet durumunda, aleti ambalajıyla birlikte satın alma belgenizi ekleyerek satıcınıza veya en yakın SKIL servisine ulaştırın (adresler ve aletin servis şemaları www.skileurope.com adresinde listelenmiştir)
- **Elektrikli aletlerini, aksesuarları ve ambalajları evdeki çöp kutusuna atmayınız** (sadece AB ülkeleri için)
 - kullanılmış elektrikli aletleri, elektrik ve elektronikli eski cihazlar hakkındaki 2002/96/EC Avrupa yönergelerine göre ve bu yönergeler ulusal hukuk kurallarına göre uyarlanarak, ayrı olarak toplanmalı ve çevre şartlarına uygun bir şekilde tekrar değerlendirilmeye gönderilmelidir
 - sembol ⑪ size bunu anımsatmalıdır

PL

Pilarka tarczowa

5855

WSTĘP

- Narzędzie to przeznaczone jest do wzdłużnego i poprzecznego cięcia drewna, zarówno pod kątem prostym, jak i ukośnie do 45°; przy zastosowaniu odpowiednich ostrzy istnieje możliwość cięcia metali nieśelaznych, lekkich materiałów budowlanych oraz tworzyw sztucznych

- Proszę przeczytać i zachować niniejszą instrukcję obsługi

PARAMETRY TECHNICZNE ①

WSKAZÓWKI BEZPIECZEŃSTWA

OGÓLNE PRZEPISY BEZPIECZEŃSTWA

UWAGA! Należy przeczytać wszystkie wskazówki.

Błędy w przestrzeganiu następujących przepisów mogą spowodować porażenie prądem, pożar i/lub ciężkie obrażenia ciała. Użyte w dalszej części pojęcie „elektronarzędzie” odnosi się do elektronarzędzi zasilanych prądem (z kablem zasilającym).

1) MIEJSCE PRACY

- Miejsce pracy należy utrzymywać w czystości i dobrze oświetlone.** Nieporządek i nie oświetlone miejsce pracy mogą doprowadzić do wypadków.
- Nie należy pracować tym narzędziem w otoczeniu zagrożonym wybuchem, w którym znajdują się np. łatwopalne ciecze, gazy lub pyły.** Elektronarzędzia wytwarzają iskry, które mogą podpalić ten pył lub pary.
- Elektronarzędzie trzymać podczas pracy z daleka od dzieci i innych osób.** Przy nieuwadze można stracić kontrolę nad narzędziem.

2) BEZPIECZEŃSTWO ELEKTRYCZNE

- Wtyczka urządzenia musi pasować do gniazda. Nie wolno modyfikować wtyczki w jakikolwiek sposób. Nie należy używać wtyczek adapterowych razem z uziemnionymi narzędziami.** Nieziemione wtyczki i pasujące gniazda zmniejszają ryzyko porażenia prądem.
- Należy unikać kontaktu z uziemnionymi powierzchniami jak rury, grzejniki, piece i lodówki.** Istnieje zwiększone ryzyko porażenia prądem, gdy Państwa ciało jest uziemnione.
- Urządzenie należy przechowywać zabezpieczone przed deszczem i wilgocią.** Wniknięcie wody do elektronarzędzia podwyższa ryzyko porażenia prądem.
- Nigdy nie należy używać kabla do innych czynności. Nigdy nie używać kabla do noszenia urządzenia za kabel, zawieszenia lub do wyciągania wtyczki z gniazda. Kabel należy trzymać z daleka od wysokich temperatur, oleju, ostrych krawędzi lub ruchomych części urządzenia.** Uszkodzone lub poplątane kable zwiększają ryzyko porażenia prądem.
- W przypadku, kiedy elektronarzędziem pracuje się na świeżym powietrzu należy używać kabla przedłużającego, który dopuszczony jest do używania na zewnątrz.** Użycie dopuszczonego do używania na zewnątrz kabla przedłużającego zmniejsza ryzyko porażenia prądem.

3) BEZPIECZEŃSTWO OSÓB

- Należy być uważnym, uważać na to co się robi i pracę elektronarzędziem rozpocząć z rozsądkiem. Nie należy używać urządzenia gdy jest się zmęczonym lub pod wpływem narkotyków, alkoholu lub leków.** Moment nieuwagi podczas używania urządzenia może doprowadzić do poważnych urażeń ciała.

- b) **Należy nosić osobiste wyposażenie ochronne i zawsze okulary ochronne.** Noszenie osobistego wyposażenia ochronnego jak maska przeciwpyłowa, nie ślizgające się buty robocze, hełm ochronny lub ochrona słuchu, w zależności od rodzaju i zastosowania elektronarzędzia zmniejsza ryzyko obrażeń ciała.
- c) **Należy unikać niezamierzonego uruchomienia narzędzia. Należy upewnić się, że włącznik/wyłącznik znajduje się w pozycji wyłączony zanim włożona zostanie wtyczka do gniazda.** W przypadku, kiedy przy przenoszeniu urządzenia trzyma się palec na włączniku/wyłączniku lub włączone urządzenie podłączone zostanie do prądu, to może to doprowadzić do wypadków.
- d) **Zanim urządzenie zostanie włączone należy usunąć narzędzia nastawcze lub klucze.** Narzędzie lub klucz, które znajdują się w ruchomych częściach urządzenia mogą doprowadzić do obrażeń ciała.
- e) **Nie należy przeceniać swoich możliwości. Należy dbać o bezpieczną pozycję pracy i zawsze utrzymywać równowagę.** Przez to możliwa jest lepsza kontrola urządzenia w nieprzewidywanych sytuacjach.
- f) **Należy nosić odpowiednie ubranie. Nie należy nosić luźnego ubrania lub biżuterii. Włosy, ubranie i rękawice należy trzymać z daleka od ruchomych elementów.** Luźne ubranie, biżuteria lub długie włosy mogą zostać pociągnięte przez poruszające się części.
- g) **W przypadku, kiedy możliwe jest zamontowanie urządzeń odsysających lub podchwytyjących należy upewnić się, czy są one właściwie podłączone i prawidłowo użyte.** Użycie tych urządzeń zmniejsza zagrożenie spowodowane pyłami.
- 4) UWAGNE OBCOWANIE ORAZ UŻYCIE ELEKTRONARZĘDZIA**
- a) **Nie należy przeciążać urządzenia. Do pracy używać należy elektronarzędzia, które jest do tego przewidziane.** Odpowiednim narzędziem pracuje się lepiej i bezpieczniej w podanym zakresie sprawności.
- b) **Nie należy używać elektronarzędzia, którego włącznik/wyłącznik jest uszkodzony.** Elektronarzędzie, którego nie można włączyć lub wyłączyć jest niebezpieczne i musi zostać naprawione.
- c) **Przed rozpoczęciem urządzenia, wymiany osprzętu lub odłożeniem narzędzia należy wyciągnąć wtyczkę z gniazda.** Ten środek ostrożności zapobiega niezamierzonemu włączeniu się urządzenia.
- d) **Nie używane elektronarzędzia należy przechowywać poza zasięgiem dzieci. Nie należy udostępniać narzędzia osobom, które jego nie umieją lub nie przeczytały tych przepisów.** Używane przez niedoświadczone osoby elektronarzędzia są niebezpieczne.
- e) **Urządzenie należy starannie konserwować. Należy kontrolować, czy ruchome części urządzenia funkcjonują bez zarzutu i nie są zablokowane, czy części nie są pęknięte lub uszkodzone, co mogłoby mieć wpływ na prawidłowe funkcjonowanie urządzenia. Uszkodzone narzędzie należy przed użyciem urządzenia oddać do naprawy.** Wiele wypadków spowodowanych jest przez niewłaściwą konserwację elektronarzędzi.
- f) **Osprzęt tnący należy utrzymywać ostry i czysty.** Starannie pielęgnowany osprzęt tnący z ostrymi krawędziami tnącymi blokuje się rzadziej i łatwiej się używa.
- g) **Elektronarzędzia, osprzęt, narzędzia itd. należy używać odpowiednio do tych przepisów i tak, jak jest to przewidziane dla tego specjalnego typu urządzenia. Uwzględnić należy przy tym warunki pracy i czynność do wykonania.** Użycie elektronarzędzi do innych niż przewidziane prace może doprowadzić do niebezpiecznych sytuacji.
- 5) SERWIS**
- a) **Naprawę urządzenia należy zlecić jedynie kwalifikowanemu fachowcowi i przy użyciu oryginalnych części zamiennych.** To gwarantuje, że bezpieczeństwo użytkowania zostanie zachowane.

PRZEPISY BEZPIECZEŃSTWA DO PILARKI TARCZOWEJ

NIEBEZPIECZEŃSTWO

- **Trzymaj ręce z dala od obszaru cięcia i ostrza; schwytaj drugą ręką przed uchwytu** (trzymając piłę obiema rękami zapobiegasz skaleczeniu się ostrzem)
 - **Nie sięgaj ręką pod spód przecinanego materiału** (osłona nie chroni przed ostrzem poniżej przecinanej części)
 - **Dostosuj głębokość cięcia do grubości obrabianego materiału** (mniej niż pełna wysokość pojedynczego zęba tarczy powinna być widoczna pod przecinanym materiałem)
 - **Nigdy nie trzymaj przecinanego materiału w rękach ani na kolanach** (konieczne jest prawidłowe podparcie części tak, aby zapobiec niebezpieczeństwu skaleczeń, zakleszczaniu się piły czy utracie kontroli)
 - **W przypadkach gdy pilarka może wejść w kontakt z ukrytymi przewodami elektrycznymi lub z własnym kablem zasilającym, dotykaj wyłącznie jej izolowanych powierzchni** (zetknięcie z przewodem pod napięciem spowoduje obecność napięcia na innych metalowych częściach narzędzia i grozi porażeniem operatora)
 - **Przy cięciu wzdłużnym korzystaj ze specjalnej prowadnicy piły tarczowej lub z prostej prowadnicy do krawędzi** (poprawia to dokładność cięcia i redukuje możliwość zakleszczania się ostrza)
 - **Korzystaj zawsze z ostrzy o odpowiednich wymiarach i prawidłowym kształcie otworu do instalacji (rombowym lub okrągłym)** (ostrza nie pasujące do posiadanego narzędzia będą pracować odśrodkowo powodując utratę kontroli)
 - **Nie używaj nigdy uszkodzonych lub nieprawidłowych podkładek ani wkretów** (firmowe podkładki i wkrety zostały zaprojektowane specjalnie dla określonej piły, w celu zapewnienia jej optymalnego i bezpiecznego działania)
- ODRZUT - PRZYCZYNY**
- **Odrzut jest nagłą reakcją tarczy pilarki zakleszczonej, zaciętej lub nieprawidłowo ustawionej, powodującą niekontrolowane uniesienie się pilarki ponad przecinaną część, w kierunku operatora**

- Ostrze, które zatnie się lub zakleszczy w przecinanej szczelinie, zatrzyma się, a przebiegający silnik spowoduje nagły ruch narzędzia w kierunku operatora
- W przypadku skrzywienia lub wadliwego ustawienia tarczy w przecinanej szczelinie, zęby jej tylnej krawędzi mogą wrznąć się w górną powierzchnię drewna powodując wyrzucanie się ostrza ze szczeliny i jego odrzut w stronę operatora

ODRZUT – ZAPOBIEGANIE PRZEZ OPERATORA

Odrzut jest wynikiem nieprawidłowego używania narzędzia i/lub nieodpowiedniej procedury lub warunków eksploatacji; można go uniknąć zachowując niżej podane środki ostrożności

- **Trzymaj narzędzie mocno dwoma rękami i ustaw się w pozycji umożliwiającej odporcie siły odrzutu; ustaw się podczas cięcia na prawo lub na lewo od linii cięcia ale nigdy nie w linii prostej cięcia** (odrzut może spowodować odbicie do tyłu, które może być kontrolowane przez operatora jeżeli zachowane są odpowiednie środki ostrożności)
- **W przypadku zakleszczenia lub przerwania zabiegu cięcia, z jakiegokolwiek przyczyny, zwolnij spust i przytrzymaj piłę nieruchomo, aż do chwili całkowitego zatrzymania się ostrza; nie próbuj nigdy wycofywać piły z przecinanego materiału przy poruszającym się ostrzu; takie postępowanie może spowodować odrzut** (zbadać i usunąć przyczynę zakleszczenia się ostrza; unikaj przecinania śrub lub gwoździ)
- **Przy ponownym uruchamianiu piły z ostrzem wewnątrz przecinanego materiału, ustaw ostrze centralnie w szczelinie i sprawdź, czy zęby nie wnikają w materiał** (zakleszczone ostrze może wyskoczyć lub zostać wyrzucone ze szczeliny z chwilą ponownego uruchomienia piły)
- **Podpieraj duże płyty, żeby ograniczyć ryzyko zakleszczania ostrza i odrzutu** (duże płyty mają tendencję do zwisania pod własnym ciężarem; podpory należy umieszczać pod płytą, na obu jej końcach, w pobliżu linii cięcia i blisko krawędzi płyty)
- **Nie używaj tępych ani uszkodzonych ostrzy** (nienaostrome lub nieprawidłowo ustawione ostrza wytwarzają wąską szczelinę, powodując nadmierne tarcie, zakleszczanie się ostrza i odrzut)
- **Przed przystąpieniem do cięcia upewnij się, że dźwignia do regulacji głębokości i skosu wnikania są mocno docisnięte** (zmiana ustawienia ostrza w trakcie cięcia może spowodować zakleszczenie i odrzut)
- **Zachowaj szczególną ostrożność przy wykonywaniu cięć wgłębnych, w ściany lub inne ślepe powierzchnie** (wystające ostrze może natrafić na przedmioty, które wywołają odrzut)

UWAGA!

- **Każdorazowo przed użyciem sprawdź prawidłowe zamykanie się dolnej osłony**
- **Nie używaj piły, jeśli dolna osłona nie porusza się swobodnie i nie zamyka się natychmiastowo**
- **Nie unieruchamiaj nigdy dolnej osłony w otwartym położeniu**

- W razie przypadkowego upuszczenia piły jej dolna osłona może ulec wygięciu; podnieś osłonę przy pomocy jej uchwytu i sprawdź, czy porusza się swobodnie i czy nie dotyka ostrza ani żadnej innej części, przy wszystkich kątach i głębokościach cięcia
- **Sprawdź działanie sprężyny dolnej osłony; w przypadku gdy osłona lub sprężyna nie działają prawidłowo należy przed użyciem dokonać ich przeglądu technicznego** (dolna osłona może działać powoli z powodu uszkodzonej części, lepkich osadów lub nabudowania się odpadów)
- **Dolną osłonę można otwierać ręcznie tylko w przypadku wykonywania specjalnych lub skomplikowanych zabiegów cięcia, takich jak cięcia wgłębne lub złożone; osłonę należy unieść korzystając z jej uchwytu i opuścić ją natychmiast z chwilą gdy ostrze wejdzie w materiał** (przy wszystkich innych zabiegach przecinania dolna osłona powinna działać automatycznie)
- **Przed umieszczeniem piły na podłodze lub na stole, zawsze zwróć uwagę, czy dolna osłona zakrywa ostrze** (niezabezpieczone lub poruszające się rozpięte ostrze spowoduje przemieszczanie się piły do tyłu, tnąc wszystko na jej drodze; pamiętaj, że po zwolnieniu wyłącznika upływie pewien czas zanim piła zatrzyma się całkowicie)
- Uwaga na ukryte gwoździe, śruby i inne twarde przedmioty; przed przystąpieniem do obróbki powinny być usunięte z obrabianego przedmiotu
- Przed pozostawieniem elektronarzędzia należy odłączyć zasilanie elektryczne i odczekać do całkowitego zatrzymania się piły tarczowej
- W przypadku wykorzystywania kabla przedłużającego należy zwrócić uwagę, aby był maksymalnie nawinięty na bęben oraz był przystosowany do przenoszenia prądu o natężeniu przynajmniej 16 A
- W przypadku zablokowania się piły w obrabianym materiale, stwierdzenia nietypowego zachowania się elektronarzędzia lub obcych odgłosów natychmiast wyłącz zasilanie i wyjąć wtyczkę z gniazda sieciowego
- SKIL może zagwarantować bezawaryjne działanie narzędzia tylko przy korzystaniu z oryginalnego wyposażenia dodatkowego
- Używać tylko akcesoriów, których dopuszczalna prędkość obrotowa jest co najmniej tak wysoka jak najwyższa prędkość obrotowa urządzenia na biegu bez obciążenia
- Elektronarzędzie można stosować wyłącznie wraz z zamontowanymi wszystkimi urządzeniami służącymi bezpieczeństwu użytkownika
- Elektronarzędzie nie powinno być obsługiwane przez osoby w wieku poniżej lat 16
- Poziom hałas podczas pracy może przekraczać 85 dB(A); używać akcesoria do ochrony słuchu
- W przypadku uszkodzenia lub przecięcia przewodu podczas pracy, nie wolno go dotykać, tylko należy natychmiast wyciągnąć z gniazdzka wtyczkę
- Pod żadnym pozorem nie wolno korzystać z narzędzia z uszkodzonym przewodem; zleć jego wymianę wykwalifikowanej osobie

- Każdorazowo sprawdzać, czy napięcie zasilania jest zgodne z napięciem podanym na tabliczce znamionowej urządzenia (narzędzia na napięcie znamionowe 230V lub 240V zasilają także napięciem 220V)
- Urządzenie przeznaczone jest tylko do cięcia na sucho
- Nie należy zatrzymywać ruchu piły po wyłączeniu pilarki odłączając ją od sieci
- Nie należy stosować pił tarczowych z wysokostopowej stali szybko tnącej (HSS)
- Nigdy nie należy stosować tarczy szlifierskich/tnących z tym elektronarzędziem
- Nie wolno obrabiać przedmiotów zawierających azbest
- Zawsze używaj maski ochronnej podczas pracy z materiałami, których pyły mogą być szkodliwe dla zdrowia; z obrabianymi materiałami należy zapoznać się przed rozpoczęciem pracy
- Nie przecinać przedmiotów zbyt małych
- Przed przystąpieniem do obróbki należy usunąć wszelkie przeszkody znajdujące się po obu stronach obrabianego przedmiotu wzdłuż linii cięcia
- Nie pracować elektronarzędziem ponad głowę
- Stosować tylko stoły robocze posiadające zintegrowany wyłącznik bezpieczeństwa, zabezpieczający przed samoczynnym ponownym uruchomieniem silnika po zaniku zasilania
- Stosować tylko stoły robocze posiadające zintegrowany klin rozszczepiający
- **Przed przystąpieniem do wykonywania jakichkolwiek czynności obsługowych przy maszynie, w czasie przerw w pracy jak również po jej zakończeniu wyjąć wtyk z gniazda sieciowego**

WSKAZÓWKI UŻYTKOWANIA

- Wymiana piły tarczowej ③
 - wyjąć klucz sześciokątny A z gniazda B
 - nacisnąć przycisk C blokady trzpienia obrotowego i przytrzymać go podczas odkręcania śruby mocującej tarczę D, obracając sześciokątny klucz trzpieniowy
- ! **przycisk C blokady trzpienia naciskać tylko wtedy, gdy tarcza piły jest nieruchoma**
- zwolnić przycisk C blokady
- zdjąć kryzę E
- dźwignię G odsunąć osłonę dolną F i przytrzymać dźwignię podczas wymiany tarczy piły, ustawiając zęby i nadrukowaną strzałkę w takim samym kierunku, jak strzałka na dolnej osłonie
- uwolnić osłonę dolną F
- założyć kryzę E
- ! **upewnić się, że powierzchnie mocujące H kryzy są absolutnie czyste i przylegają do piły**
- nacisnąć przycisk C blokady trzpienia i przytrzymać go podczas dokręcania śruby mocowania sześciokątnym kluczem trzpieniowym o 1/8 obrotu ponad siłę dokręcenia palcami (zapewnia to poślizg tarczy po napotkaniu zbyt dużego oporu cięcia, a tym samym pozwala uniknąć przeciążenia silnika i wstecznego odrzutu narzędzia)
- zwolnić przycisk C blokady trzpienia

- Ustawianie głębokości cięcia (0-55 mm) ④
 - w celu zapewnienia optymalnej jakości cięcia piła nie powinna wystawać poniżej dolnej powierzchni przedmiotu o więcej niż 3 mm
 - odkręcić dźwignię J
 - unieść/obniżyć płytę podstawy K w żądane położenie korzystając ze wskaźnika L
 - dźwignię J ponownie dokręcić
- Ustawienie kąta cięcia (0-45°) ⑤
 - odkręcić pokrętło M
 - elektronarzędzie przechylić w żądane położenie korzystając ze wskaźnika N
 - pokrętło M ponownie dokręcić
- ! **w przypadku nieprostego ustawienia piły głębokości cięcia wskazywana na podziatce nie odpowiada rzeczywistej głębokości**
- Sprawdzenie prostokątności cięcia - 90° ⑥
 - ustawić płytę podstawy K na maksymalną głębokość cięcia i zablokować ją w tym położeniu ④
 - ustawić kąt cięcia 0° i zablokować elektronarzędzie w tym położeniu
 - przy pomocy przyrządu kątownego sprawdzić prostokątność pomiędzy powierzchnią piły a dolną powierzchnią płyty podstawy
- Regulowany wizjer linii cięcia P ⑥a
 - pokazuje pozycję piły tarczowej przy cięciu wzdłuż uprzednio naniesionej linii
 - przy cięciu prostym lub pod kątem 45° wykorzystywać odpowiednie linie wskazujące
- ! **szersza strona płyty podstawy powinna przylegać do wspartej części obrabianego przedmiotu**
- pozwala decydować, czy materiał odpadowy ma się znajdować po wewnętrznej, czy po zewnętrznej stronie tarczy piły ⑥b
- ! **szerokość linii cięcia wyznacza nie grubość piły tarczowej, lecz grubość jej zębów**
- ! **w celu sprawdzenia poprawności ustawienia wykonać próbne cięcie**
- Odsysanie pyłu
 - wąż odkurzacza przyłączyć do króćca Q ②
- ! **należy zwrócić uwagę, aby wąż odkurzacza nigdy nie blokował swobody ruchu osłony oraz nie utrudniał prowadzenia pilarki**
- zaleca się stosowanie worka na wióry (osprzet SKIL 2610387402)
- Obsługa narzędzia ②
 - włożyć wtyk elektronarzędzia do gniazda sieciowego
 - elektronarzędzie prowadzić oburącz trzymając pewnie jedną ręką za uchwyt R drugą za uchwyt S
 - ustawić pewnie elektronarzędzie dolną powierzchnią płyty podstawy na obrabianym przedmiocie
- ! **należy się upewnić czy zęby piły nie stykają się już z obrabianym przedmiotem**
- elektronarzędzie uruchomić wciskając przycisk T (= włącznik bezpieczeństwa, nie powinien być blokowany) a następnie uruchomić włącznik V
- ! **piłę przystawiać do obrabianego przedmiotu dopiero po osiągnięciu przez elektronarzędzie pełnej prędkości obrotowej**

- osłona piły F otwierana jest automatycznie w momencie zbliżenia piły do obrabianego przedmiotu (osłonę odchylać ręcznie tylko w przypadku wykonywania cięć specjalnych jak cięcia wgłębne; w tym celu wykorzystywać dźwignię G)
- nie przeciążać elektronarzędzia; wymuszać tylko lekki miarowy posuw
- po zakończeniu cięcia elektronarzędzie wyłączyć zwalniając włącznik V
- ! **przed wyprowadzeniem piły z obrabianego przedmiotu należy się upewnić czy jej bieg został całkowicie zakończony**

WSKAZÓWKI UŻYTKOWANIA

- W celu ograniczenia zjawiska wykruszania krawędzi powierzchnia przedmiotu o wymaganym ładnym wyglądzie powinna być skierowana do dołu
- Stosować tylko ostre piły tarczowe nie wykazujące uszkodzeń o odpowiednich wymiarach ⑦
 - jakość cięcia poprawia się wraz ze wzrostem ilości zębów wykorzystywanej piły tarczowej
 - piły tarczowe z zębami z węglików spiekanych posiadają o ok. 30-to krotnie większą żywotność w stosunku do pił konwencjonalnych
- Prowadnica równoległa W ⑧
 - umożliwia wykonywanie dokładnych cięć równoległych do krawędzi przedmiotu
 - może być mocowana z obu stron płyty podstawy
 Ustawianie położenia prowadnicy równoległej
 - odkręcić pokrętko X
 - korzystając z podziałki na prowadnicy ustawić wymaganą odległość cięcia (wizjer linii cięcia P stosować jako położenie odniesienia 0)
 - pokrętko X ponownie dokręcić
- Cięcia wgłębne ⑨
 - ustawić wymaganą głębokość cięcia
 - przechylić elektronarzędzie do przodu kierując wizjer linii cięcia P na naniesioną na obrabianym przedmiocie linię
 - przy pomocy dźwigni G odchylić osłonę piły F
 - bezpośrednio przed zagłębieniem piły uruchomić elektronarzędzie, przechylając pilarkę wzdłuż przedniej krawędzi podstawy opuścić wolno tylną część elektronarzędzia
 - opuszczać powoli tylną część elektronarzędzia wolno przesuwając do przodu
 - natychmiast z chwilą gdy ostrze wejdzie w materiał, zwolnić dźwignię G
 ! **elektronarzędzie prowadzić tylko do przodu**
- Cięcia większych płyt ⑩
 - płytę podeprzeć wzdłuż linii cięcia, na podłodze stole lub warsztacie
 ! **ustawić głębokość cięcia w taki sposób, aby przcinać tylko płytę a nie przedmioty wspierające znajdujące się poniżej**
 - w przypadku gdy prowadnica równoległa nie daje możliwości cięcia w dużej odległości, przytwierdzić dodatkową listwę do powierzchni płyty i prowadzić elektronarzędzie prawą stroną wzdłuż listwy
- Więcej wskazówek można znaleźć pod adresem www.skileurope.com

GWARANCJA / ŚRODOWISKO

- Zawsze dbać o czystość narzędzia i przewodu zasilającego (a szczególnie otworów wentylacyjnych)
! **przed przystąpieniem do czyszczenia należy wyjąć wtyk z gniazda sieciowego**
- Piłę tarczową zczyścić każdorazowo po zakończonej pracy (szczególnie z żywicy i pozostałości klejów)
- Niniejszy wyrób marki SKIL podlega ustawowej gwarancji/ zgodnie z przepisami krajowymi; uszkodzenia wynikłe wskutek normalnego zużycia, przeciążenia lub nieprawidłowej obsługi nie są objęte gwarancją
- W razie reklamacji, prosimy o przysłanie nierozmontowanego urządzenia wraz z dowodem zakupu do dostawcy lub najbliższego serwisu firmy SKIL (adresy oraz diagram serwisowy urządzenia znajdują się na stronach www.skileurope.com)
- **Nie wyrzucaj elektronarzędzi, akcesoriów i opakowania wraz z odpadami z gospodarstwa domowego** (dotyczy tylko państw UE)
 - zgodnie z Europejską Dyrektywą 2002/96/WE w sprawie zużytego sprzętu elektrotechnicznego i elektronicznego oraz dostosowaniem jej do prawa krajowego, zużyte elektronarzędzia należy posegregować i zutylizować w sposób przyjazny dla środowiska
 - w przypadku potrzeby pozbycia się narzędzia, akcesoriów i opakowania - symbol ⑪ przypomni Ci o tym

RU

Циркулярная пила

5855

ПРЕДСТАВЛЕНИЕ

- Инструмент предназначен для пилки дров вдоль и поперек, а также под углом 45°; а при использовании специальных пил также для пилки металлов (кроме железа), легких строительных материалов и пластика
- Прочитайте и сохраните это руководство по использованию

ТЕХНИЧЕСКИЕ ДАННЫЕ ①

БЕЗОПАСНОСТЬ

ОБЩИЕ УКАЗАНИЯ ПО БЕЗОПАСНОСТИ

ОСНОВНЫЕ ИНСТРУКЦИИ ПО ТЕХНИКЕ БЕЗОПАСНОСТИ

ВНИМАНИЕ! Полностью прочтите инструкции.

Несоблюдение приведенных ниже инструкций может повлечь за собой поражение электрическим током, возникновение пожара и/или нанесение тяжелых травм. Термин "электроинструмент", используемый в инструкции, обозначает электрический инструмент с питанием от электрической сети (с кабелем питания).

1) РАБОЧЕЕ МЕСТО

- a) **Соблюдайте чистоту и поддерживайте надлежащую освещенность на рабочем месте.** Беспорядок на рабочем месте и его плохое освещение могут привести к несчастным случаям.
- b) **Не используйте с электроинструментом во взрывоопасной среде, т.е. в непосредственной близости от легковопламеняющихся жидкостей, газов или пыли.** В процессе работы электроинструмент искрит и искры могут воспламенить газы или пыль.
- в) **При работе с электроинструментом не допускайте детей или посторонних на Ваше рабочее место.** Отвлечение Вашего внимания может привести к потере контроля над работой инструмента.

2) ЭЛЕКТРИЧЕСКАЯ БЕЗОПАСНОСТЬ

- a) **Штепсельная вилка кабеля питания электроинструмента должна соответствовать розетке электросети. Не вносите никаких изменений в конструкцию вилки. Не используйте штекерные адаптеры для электроинструмента с защитным заземлением.** Заводские штепсельные вилки и соответствующие им сетевые розетки существенно снижают вероятность электрошока.
- b) **Избегайте механических контактов с такими заземленными поверхностями, как трубопроводы, системы отопления, плиты и холодильники.** При контакте человека с заземленными предметами во время работы инструментом вероятность электрошока существенно возрастает.
- в) **Оберегайте электроинструмент от воздействия дождя и влаги.** Попадание воды в электроинструмент повышает вероятность электрического удара.
- г) **Используйте кабель строго по назначению. Не допускается тянуть и передвигать электроинструмент за кабель или использовать кабель для вытягивания вилки из розетки.** Оберегайте кабель инструмента от воздействия высоких температур, масла, острых кромок или движущихся частей электроинструмента. Поврежденный или спутанный кабель повышает возможность электрического удара.
- д) **При работе на улице используйте удлинитель, предназначенный для работы вне помещения.** Использование такого удлинителя снижает вероятность электрического удара.

3) ЛИЧНАЯ БЕЗОПАСНОСТЬ

- a) **Будьте внимательны, следите за тем, что Вы делаете и выполняйте работу обдуманно. Не пользуйтесь электроинструментом, если Вы устали или находитесь под воздействием транквилизаторов, алкоголя или медицинских препаратов.** Секундная потеря концентрации в работе с электроинструментом может привести к серьезным травмам.

- b) **Используйте средства индивидуальной защиты. Защитные очки обязательны.** Средства индивидуальной защиты, такие как пылезащитный респиратор, нескользящая защитная обувь, шлем-каска, средства защиты органов слуха применяются в соответствующих условиях работы обстоятельствах и минимизируют возможность получения травм.
 - в) **Избегайте случайного включения электроинструмента. Перед тем, как вставить вилку в розетку, убедитесь, что выключатель находится в положении "выкл".** Если при подключении инструмента к электропитанию кнопка "вкл./выкл." уже нажата, это может привести к несчастному случаю.
 - г) **Во избежание травм перед включением инструмента удалите регулировочный или гаечный ключ из вращающейся части инструмента.**
 - д) **Не переоценивайте свои возможности. Твердо стойте на ногах и удерживайте равновесие.** В таком положении вы сможете лучше контролировать инструмент в неожиданных ситуациях.
 - е) **Используйте подходящую рабочую одежду. Не надевайте свободную одежду и украшения. Волосы, одежда и перчатки должны находиться подальше от движущихся частей электроинструмента.** Свободная одежда, украшения или длинные волосы легко могут попасть в движущиеся части электроинструмента.
 - ж) **При наличии пылеотсасывающих и пылесборных приспособлений убедитесь в том, что они подсоединены и используются надлежащим образом.** Их применение снижает опасность воздействия пыли.
- ## 4) ЭКСПЛУАТАЦИЯ И УХОД ЗА ЭЛЕКТРОИНСТРУМЕНТОМ
- a) **Не перегружайте инструмент. Используйте тот инструмент, который предназначен для данной работы.** С ним Вы выполните работу быстрее и надежнее, используя весь диапазон его возможностей.
 - b) **Не используйте инструмент с неисправным выключателем.** Инструмент с неисправным выключателем опасен и подлежит ремонту.
 - в) **Виньте вилку из сетевой розетки перед тем, как приступить к настройке инструмента, замене принадлежностей или его упаковке.** Данная мера предосторожности предотвращает случайное включение инструмента.
 - г) **Храните неиспользуемый электроинструмент в недоступном для детей месте и не позволяйте использовать его лицам, не умеющим с ним обращаться или не ознакомленным с инструкцией по эксплуатации.** Электроинструменты представляют собой опасность в руках неопытных пользователей.

д) Электроинструмент требует надлежащего ухода. Проверьте безупречность функционирования подвижных частей, лёгкость их хода, целостность всех частей и отсутствие повреждений, которые могут негативно сказаться на работе инструмента. При обнаружении повреждений сдайте инструмент в ремонт. Большое число несчастных случаев связано с неудовлетворительным уходом за электроинструментом.

е) Режущие части инструмента необходимо поддерживать в заточенном и чистом состоянии. При надлежащем уходе за режущими принадлежностями с острыми кромками они реже заклиниваются и инструмент лучше поддаётся контролю.

ж) Используйте электроинструмент, принадлежности, биты и т.д. в соответствии с данными инструкциями и так, как это предписано для каждого конкретного инструмента, исходя из особенностей условий и характера выполняемой работы. Использование электроинструмента не по назначению может привести к опасным последствиям.

5) СЕРВИСНОЕ ОБСЛУЖИВАНИЕ

а) Передавая инструмент на сервисное обслуживание только квалифицированному персоналу, использующему только подлинные запасные части. Это обеспечит сохранение безопасности электроинструмента.

УКАЗАНИЯ ПО БЕЗОПАСНОСТИ ДИЯ ЦИРКУЛЯРНЫХ ПИЛ

ОСТОРОЖНО

- Держите руки в стороне от рабочей зоны и от лезвий; держите свободную руку на передней ручке (если вы держите пилу обеими руками, опасность повреждения лезвием отпадает)
- Не подсовывайте руки под изделие (ограждение не защищает от лезвия под изделием)
- Отрегулируйте глубину пропила в соответствии с толщиной обрабатываемой поверхности (таким образом, чтобы пильный диск выступал из-под обрабатываемой поверхности не более, чем на глубину его зубцов)
- Никогда не держите изделие в руках или на ноге (изделие должно быть установлено верно для исключения повреждения тела, заедания лезвия или утраты контроля)
- Во время выполнения операции при возможности контакта инструмента с электропроводкой или кабелем инструмента держите инструмент за изолированные поверхности (контакт с проводом под напряжением делает обнажённые части инструмента опасными и может привести к электрошоку оператора)
- При пилке по волокну используйте направляющую планку или направляющую с прямым краем (это повышает точность пилки и сокращает возможность заедания)

- Всегда используйте лезвия с отверстиями верного размера и формы (ромбовидные или круглые) (лезвия, чьи отверстия не соответствуют монтажному устройству, будут вращаться эксцентрически и ухудшат контроль)
- Никогда не используйте изношенные или повреждённые шайбы или болты для лезвий (эти детали специально предназначены для ваших лезвий для оптимальной эксплуатации и безопасности)

ОТДАЧА - ПРИЧИНЫ

- Отдачей называется внезапная реакция при захвате, заедании или смещении лезвия пилы, которая приводит к неконтролируемому подмиганию пилы из изделия в направлении к оператору
- При сильном захвате или заедании лезвия при закрытии пропила, лезвие останавливается, а работающий мотор отводит инструмент на большой скорости в сторону оператора
- Если лезвие перекошено или смещено в пропиле, зубья в задней части пилы могут застрять в верхней поверхности дерева, что приведёт к выталкиванию лезвия из пропила и отскакиванию в сторону оператора

ОТДАЧА - ПРЕДУПРЕЖДЕНИЕ

Отдача является результатом неверного использования инструмента и может быть устранена путём соблюдения следующих правил:

- Крепко и надёжно удерживайте инструмент обеими руками, располагая их таким образом, чтобы предотвратить отдачу; тело, при этом, должно располагаться с любой удобной стороны от диска, но, ни в коем случае, не по одной линии с ним (т.к. отдача может отбросить пилу назад, но сила отдачи может контролироваться пользователем, если соответствующие меры предосторожности соблюдены)
- При заедании лезвия или при прерывании пилки по какой-либо причине освободите триггер и держите пилу в материале неподвижно, пока пила не остановится полностью; никогда не вынимайте пилу из изделия и не отводите её назад во время вращения пилы, т.к. это приведёт к отдаче (найдите причину заедания и осуществите необходимые действия для его устранения; избегайте пилки по гвоздям и винтам)
- При включении пилы в изделие установите пилу в центре пропила и проверьте, чтобы зубья не захватывают материал (в противном случае при заедании пилы во время её запуска её может оттолкнуть назад или отдать от изделия)
- Обеспечьте опору для больших панелей для устранения риска захвата и отдачи (большие панели обычно провисают под собственным весом; опоры нужно размещать под панелью по обе стороны около линии пропила и около края панели)
- Не используйте тупые или повреждённые лезвия (незаточенные или неверно установленные лезвия дают узкий пропил, создавая избыточное трение, захват и отдачу лезвия)

- **Перед началом работы рычаги для запириания глубины и скоса лезвия необходимо затягивать надёжно** (если во время работы лезвие сместится, это приведёт к заеданию и отдаче)
- **Будьте особенно осторожны при осуществлении плунжерной пилки на стенах и в других глухих зонах** (выступающее лезвие может прорезать какие-либо части, что может привести к заеданию и отдаче)

ВНИМАНИЕ!

- **Проверьте нижнее ограждение на верное закрывание перед началом работы**
- **Не используйте пилу, если нижнее ограждение не перемещается свободно и не закрывается немедленно**
- **Никогда не закрепляйте нижнее ограждение в открытом положении**
- Если вы случайно уроните пилу, нижнее ограждение может быть согнуто; поднимите нижнее ограждение с помощью отводящей ручки и убедитесь в том, что оно свободно перемещается и не касается лезвия или другой части под всеми углами и глубинами пилки
- **Проверьте работу пружины нижнего ограждения; если пружина и ограждение работают ненормально, перед работой их нужно отрегулировать** (нижнее ограждение будет работать плохо вследствие повреждения частей, накопившегося мусора или резинового отложения)
- **Нижнее ограждение можно отводить вручную только для специальных работ, напр., плунжерного разреза или комбинированного разреза; поднимите нижнее ограждение отводящей ручкой и как только лезвие войдёт в материал, освободите его** (для всех других видов работ нижнее ограждение должно работать автоматически)
- **Всегда следите за тем, чтобы нижнее ограждение закрывало лезвие перед помещением инструмента на пол или на верстак** (незащищённое вращающееся лезвие заставит инструмент перемещаться и повредит всё, что попадёт на пути; помните, что после выключения выключателем, требуется время для полной остановки лезвия)
- Не допускайте повреждения пилы винтами, гвоздями и другими элементами, которые могут находиться в обрабатываемой заготовке; удалите их до начала резки
- Когда вы убираете инструмент, отключите электродвигатель и убедитесь, что все движущиеся части полностью остановились
- Используйте полностью сматываемые и безопасные удлинители, рассчитанные на ток не менее 16 А
- В случае заедания или какой-либо электрической или механической неисправности немедленно отключите инструмент и выньте вилку из розетки
- SKIL обеспечивает надёжную работу инструмента только при использовании соответствующих приспособлений

- Использовать только принадлежности, предельно допустимая скорость вращения которых не меньше, чем максимальная скорость вращения прибора на холостом ходу
- Запрещается использовать инструмент без штатной системы защитных щитков
- Этот инструментом не должны пользоваться лица моложе 16 лет
- Поскольку уровень шума при работе данного инструмента может превышать 80 dB(A), всегда используйте защиту для ушей
- При повреждении или разрезании провода во время работы не прикасайтесь к проводу, и немедленно разъедините штепсельный разъём
- Никогда не используйте инструмент, если провод повреждён; необходимо, чтобы квалифицированный специалист заменил провод
- Обязательно убедитесь, что напряжение питания соответствует напряжению, указанному на фирменном штемпеле инструмента (инструменты, рассчитанные на напряжение 230 В или 240 В, можно подключать к питанию 220 В)
- Этот инструмент непригоден для резки со смачиванием
- Не допускается после отключения дисковой пилы останавливать вращение режущего диска, прикладывая к нему боковое усилие
- Не допускается использовать режущие диски, изготовленные из быстрорежущей стали
- В данном инструменте не допускается применение шлифовальных/отрезных кругов
- Не допускается резание материала, содержащего асбест
- Обязательно надвать пылзащитную маску при работ с материалами, образующими при работ вредную для вашего здоровья пыль; заранее выяснит, какие материалы будут обрабатываться
- Не пытайтесь резать слишком маленькие заготовки
- Прежде чем приступить к резке, удалите все препятствия над траекторией резания и под ней
- При работе не поднимайте дисковую пилу выше уровня головы
- Используйте только пыльный стол, снабженный выключателем, предотвращающим повторный пуск электродвигателя после перерыва в подаче электроэнергии
- Используйте только пыльный стол, снабженный внутреннем направляющем
- **Перед регулировкой или сменой принадлежности обязательно выньте вилку из сетевой розетки**

ИСПОЛЬЗОВАНИЕ

- Смена режущего диска ③
 - достаньте ключ-шестигранник А из ящичка В
 - нажмите блокировочную кнопку шпинделя С и держите её до тех пор, пока не вынете болт D, повернув его с помощью ключа-шестигранника
- ! **нажимайте кнопку шпинделя С только при полной остановке инструмента**

- освободите блокировочную кнопку шпинделя C
 - снимите фланец E
 - откройте нижний кожух F с помощью рычага G и держите его пока вы устанавливаете полотно пилы так, чтобы зубья пилы и стрелка на полотне пилы были обращены в том же направлении, что и стрелка на нижнем кожухе
 - освободите нижний кожух F
 - установите фланец E
 - ! **убедитесь в том, что зажимные поверхности N на фланцах идеально чистые и обращены к полотну пилы**
 - нажмите блокировочную кнопку шпинделя C и держите её пока вы затягиваете болт с помощью ключа-шестигранника на 1/8 оборота после затяжки пальцами (гарантирует проскальзывание полотна пилы при избыточном сопротивлении материала, что снижает перегрузку мотора и отдачу пилы)
 - освободите блокировочную кнопку шпинделя C
 - **Регулировка глубины пропила (0-55 мм) ④**
 - для обеспечения оптимального качества реза режущий диск не должен выступать из заготовки больше чем на 3 мм
 - отпустите рычаг J
 - поднимите/опустите основание K, чтобы установить желаемую глубину пропила с помощью индикатора L
 - затяните рычаг J
 - **Регулировка угла пропила (0-45°) ⑤**
 - отпустите головку M
 - наклоняйте инструмент, пока на шкале с помощью индикатора N не будет установлен требуемый угол пропила
 - затяните головку M
 - ! **при резке под углом глубина пропила не соответствует значению на шкале глубины пропила**
 - **Проверка резки под углом 90° ⑥**
 - отрегулируйте основание K на максимальную глубину пропила и затяните его ④
 - отрегулируйте угол пропила на 0° и затяните головку
 - проверьте угольником угол 90° между режущим диском и нижней поверхностью основания
 - **Регулируемое устройство наблюдения за линией пропила P ⑥a**
 - используется для направления инструмента вдоль требуемой линии пропила, размеченной на заготовке
 - при прямом резании под углом 0° или при резании под углом 45° используйте соответствующий указатель
 - ! **широкая сторона основания должна располагаться на закрепленной части заготовки**
 - можно отрегулировать, если вам нужно выбрать, где будут выбрасываться опилки, на внутренней или внешней стороне полотна ⑥b
- ! **ширина пропила определяется шириной зубьев режущего диска, а не шириной тела диска**
 - ! **для проверки фактической линии пропила обязательно сделайте пробный рез**
 - **Отсасывание пыли**
 - подсоедините пылесос к удлинителю Q ②
 - ! **не допускайте, чтобы шланг пылесоса мешал нижнему щитку или процессу пиления**
 - можно также использовать пылесборный мешок (позиция SKIL 2610387402)
 - **Использование инструмента ②**
 - вставьте вилку в сетевую розетку
 - крепко держите пилу одной рукой за ручку R, а другой за ручку S
 - поставьте инструмент передним концом основания на заготовку
 - ! **убедитесь, что зубья пилы не касаются заготовки**
 - включите инструмент, для чего сначала нажмите большим кнопку T (= защитный выключатель без фиксатора), а затем передвиньте переключатель V
 - ! **инструмент не должен работать на полной скорости, пока режущий диск не войдет в заготовку**
 - нижний щиток F автоматически открывается, когда режущий диск входит в заготовку (открывать нижний щиток вручную с помощью рычажка G следует только в особых случаях, например при выпиливании окон)
 - не прикладывайте к инструменту чрезмерных усилий; нажим должен быть легким и равномерным
 - по окончании резки отключите инструмент, отпустив переключатель V
 - ! **прежде чем поднять инструмент из заготовки, убедитесь, что режущий диск полностью остановился**

СОВЕТЫ ПО ПРИМЕНЕНИЮ

- Для обеспечения минимального расщепления заготовку располагайте обработанной стороной вниз
- Пользуйтесь только острыми режущими дисками надлежащего типа ⑦
 - качество пропила улучшается с увеличением числа зубьев
 - режущие диски с твердосплавными пластинками служат в 30 раз дольше, чем обычные режущие диски
- **Продольная направляющая линейка W ⑧**
 - предназначена для выполнения точной резки вдоль кромки заготовки
 - может быть установлена с любой стороны основания
- Регулировка продольной направляющей линейки
 - отпустите головку X
 - с помощью шкалы продольной направляющей линейки отрегулируйте требуемую ширину резки (используйте указатель линии пропила P в качестве нулевой базы)
 - затяните головку X

- Выпиливание окон ⑨
 - установите требуемую глубину пропила
 - наклоните инструмент вперед, совместив указатель линии пропила P с размеченной на заготовке требуемой линией пропила
 - рычажком G нижний щиток F
 - непосредственно перед тем, как режущий диск войдет в заготовку, включите инструмент и постепенно опускайте задний конец инструмента, используя переднюю кромку основания в качестве оси поворота
 - постепенно перемещайте инструмент вниз и вперед
 - как только лезвие войдет в материал, отпустите рычаг G

! ни в коем случае не отводите инструмент назад

- Резка больших панелей ⑩
 - создайте опору для панели около линии пропила на полу, на столе или на верстаке

! установите глубину пропила таким образом, чтобы прорезать панель, но не прорезать опору

- в случае, если требуемая ширина реза не позволяет использовать продольную направляющую линейку, прижмите или прибейте гвоздями к заготовке прямую деревянную планку в качестве направляющей, при этом к этой направляющей должна поджиматься правая сторона основания инструмента
- См дополнительную информацию в www.skileurope.com

ГАРАНТИЯ / ОХРАНА СРЕДЫ

- Всегда содержите инструмент и его шнур в чистоте (особенно вентиляционные отверстия)
 - ! перед чисткой инструмента нужно разъединить штепсельный разъем**
- Производите чистку режущего диска сразу же после использования (особенно от смолы и клея)
- Это изделие SKIL имеет гарантию в соответствии с установленными правилами; повреждение вследствие нормального использования, перегрузки или неверного обращения не включены в гарантию
- При неисправности отошлите инструмент в **неразобранном** виде вместе с доказательством покупки дилеру или в ближайший отдел обслуживания SKIL (адреса и схема обслуживания инструмента приводятся в www.skileurope.com)
- **Не выкидывайте электроинструмент, принадлежности и упаковку вместе с бытовым мусором** (только для стран ЕС)
 - во исполнение европейской директивы 2002/96/EC об утилизации отслужившего свой срок электрического и электронного оборудования и в соответствии с действующим законодательством, утилизация электроинструментов производится отдельно от других отходов на предприятиях, соответствующих условиям экологической безопасности

- значок ⑪ напомним Вам об этом, когда появится необходимость сдать электроинструмент на утилизацию

UA

Дисковая пила

5855

ВСТУП

- Цей інструмент призначений для поздовжнього та поперечного розпилювання деревини прямими розрізами, а також розрізами під кутом 45°; також можливе розпилювання кольорових металів, легких будівельних матеріалів та пластика за допомогою відповідних лез
- Прочитайте дану інструкцію та зберегайте її в надійному місці

ТЕХНІЧНІ ДАНІ ①

БЕЗПЕКА

ЗАГАЛЬНІ ВКАЗІВКИ З ТЕХНІКИ БЕЗПЕКИ

УВАГА! Прочитайте всі вказівки. Недодержання нижчеподаних вказівок може призводити до удару електричним струмом, пожежі та/або серйозних травм. Під поняттям 'електроприлад' мається на увазі електроприлад, що працює від мережі (з електрокабелем).

1) РОБОЧЕ МІСЦЕ

- Прймайте своє робоче місце в чистоті та прибирайте його.** Безлад та погане освітлення на робочому місці можуть призводити до нещасних випадків.
- Не працюйте з приладом у середовищі, де існує небезпека вибуху внаслідок присутності горючих рідин, газів або пилу.** Електроприлади можуть породжувати іскри, від яких може займатися пил або пари.
- Під час працювання з приладом не підпускайте до робочого місця дітей та інших людей.** Ви можете втратити контроль над приладом, якщо Ваша увага буде відвернута.

2) ЕЛЕКТРИЧНА БЕЗПЕКА

- Штепсель приладу повинен пасаувати до розетки. Не дозволяється що-небудь міняти в штепселі. Для роботи з приладами, що мають захисне заземлення, не використовуйте адаптери.** Використання оригінального штепселя та належної розетки зменшує ризик удару електричним струмом.
- Уникайте контакту частей тіла із заземленими поверхнями, як напр., трубами, батареями опалення, печами та холодильниками.** Коли Ваше тіло заземлене, існує збільшена небезпека удару електричним струмом.
- Захищайте прилад від дощу та вологи.** Попадання води в електроінструмент збільшує ризик удару електричним струмом.

- d) **Не використовуйте кабель для перенесення приладу, підвишування або витягування штепселя з розетки. Захищайте кабель від жару, олії, гострих країв та деталей приладу, що рухаються.** Пошкодженний або закручений кабель збільшує ризик удару електричним струмом.
- e) **Для зовнішніх робіт обов'язково використовуйте лише такий подовжувач, що допущений для зовнішніх робіт.** Використання подовжувача, що розрахований на зовнішні роботи, зменшує ризик удару електричним струмом.

3) БЕЗПЕКА ЛЮДЕЙ

- a) **Будьте уважними, слідкуйте за тим, що Ви робите, та розсудливо поведіться під час роботи з електроприладом. Не користуйтеся приладом, якщо Ви стомлені або знаходитесь під дією наркотиків, спиртних напоїв або лік.** Мить неувважності при користуванні приладом може призводити до серйозних травм.
- b) **Вдягайте особисте захисне спорядження та обов'язково вдягайте захисні окуляри.** Вдягання особистого захисного спорядження, як напр., - в залежності від виду робіт - захисної маски, спецвзуття, що не ковзається, каски або навушників, зменшує ризик травм.
- c) **Запобігайте ненавмисному вмиканню приладу. Перед тим, як вставляти штепсель у розетку, переконайтеся, що вимикач знаходиться в положенні 'вимкнуто'.** Тримання пальця на вимикачі під час перенесення приладу або встромлення в розетку увімкненого приладу може призводити до травм.
- d) **Перед тим, як вмикати прилад, приберіть налагоджувальні інструменти та гайковий ключ.** Знаходження налагоджувального інструмента або ключа в деталі, що обертається, може призводити до травм.
- e) **Не переоцінюйте себе. Зберігайте стійке положення та завжди зберігайте рівновагу.** Це дозволить Вам краще зберігати контроль над приладом у несподіваних ситуаціях.
- f) **Вдягайте придатний одяг. Не вдягайте просторий одяг та прикраси. Не підставляйте волосся, одяг та рукавиці близько до деталей приладу, що рухаються.** Просторий одяга, прикраси та довге волосся можуть попадати в деталі, що рухаються.
- g) **Якщо існує можливість монтувати пиловідсмоктувальні або пилоуловлювальні пристрої, переконайтеся, щоб вони були добре під'єднані та правильно використовувалися.** Використання таких пристроїв зменшує небезпеку, що зумовлена пилом.
- 4) **ПРАВИЛЬНЕ ПОВЕДІННЯ ТА КОРИСТУВАННЯ ЕЛЕКТРОПРИЛАДАМИ**
- a) **Не перевантажуйте прилад. Використовуйте такий прилад, що спеціально призначений для певної роботи.** З придатним приладом Ви з меншим ризиком отримаєте кращі результати роботи, якщо будете працювати в зазначеному діапазоні потужності.

- b) **Не користуйтеся приладом з пошкодженим вимикачем.** Прилад, який не можна увімкнути або вимкнути, є небезпечним і його треба відремонтувати.
- c) **Перед тим, як регулювати що-небудь на приладі, міняти приладдя або ховати прилад, витягніть штепсель із розетки.** Ці попереджувальні заходи з техніки безпеки зменшують ризик ненавмисного запуску приладу.
- d) **Зберігайте електроприлади, якими Ви саме не користуєтесь, далеко від дітей. Не дозволяйте користуватися електроприладом особам, що не знайомі з його роботою або не читали ці вказівки.** У разі застосування недосвідченими особами прилади несуть в собі небезпеку.
- e) **Старанно доглядайте за приладом. Перевірте, щоб рухомі деталі приладу бездоганно працювали та не заїдали, не були поламаними або настільки пошкодженими, щоб це могло вплинути на функціонування приладу. Пошкоджені деталі треба відремонтувати в авторизованій майстерні, перш ніж ними знову користуватися.** Велика кількість нещасних випадків спричиняється поганим доглядом за електроприладами.
- f) **Тримайте різальні інструменти добре нагостреними та в чистоті.** Старанно доглянуті різальні інструменти з гострим різальним краєм менше застряють та їх легше вести.
- g) **Використовуйте електроприлади, приладдя до них, робочі інструменти т.і. відповідно до цих вказівок так, як це передбачено для відповідного типу приладу. Беріть до уваги при цьому умови роботи та специфіку виконуваної роботи.** Використання електроприладів для робіт, для яких вони не передбачені, може призводити до небезпечних ситуацій.

5) СЕРВІС

- a) **Відавайте свій прилад на ремонт лише кваліфікованим фахівцям та лише з використанням оригінальних запчастин.** Це забезпечить безпечність приладу на довгий час.

ІНСТРУКЦІЯ З ТЕХНІКИ БЕЗПЕКИ ПРИ ЕКСПЛУАТАЦІЇ ДИСКОВОЇ ПИЛИ

ОБЕРЕЖНО!

- **Тримайте руки подалі від ріжучої поверхні та леза, другу руку тримайте на передній ручці** (якщо тримати пилу обома руками, їх неможливо порізати лезом)
- **Не просовуйте руки під виріб, що розпилюється** (обмежувач не захистить Вас від леза під виробом)
- **Відрегулюйте глибину розпили відповідно до товщини виробу, що розпилюється** (зубці пили мають лише частково виглядати з-під виробу)
- **Ніколи не тримайте виріб, що розпилюється, в руках або на колінах** (важливо правильно розташувати виріб, щоб звести до мінімуму можливість контакту пили з частинами тіла, заїдання леза пили або втрати контролю)

- Під час експлуатації тримайте інструмент за відповідні ізольовані поверхні, якщо інструмент може увійти в контакт із прихованою проводкою або власним шнуром (контакт з дротом під напругою призведе до проходження електричного струму через металеві деталі інструменту та ураженню оператора)
- Під час поздовжнього розпилювання завжди використовуйте спрямовуючу планку або спрямовувач країв (це покращує точність розрізу та зменшує вірогідність заїдання леза)
- Завжди використовуйте леза відповідного розміру та з отворами під шпindel відповідної форми (круглими або шестигранными); леза, які не відповідають елементам кріплення пили, працюватимуть несиметрично відповідно центру, що призведе до втрати контролю
- Ніколи не використовуйте uszkodжені або невідповідні шайби або болти, що тримають лезо (шайби, що тримають лезо, та болт були спеціально розроблені у відповідності до Вашої пили для забезпечення оптимальної ефективності та безпеки її експлуатації)

ВІДДАЧА - ПРИЧИНИ

- Віддача - це неочікувана реакція на защемлення, заїдання або неправильне центрування леза пили, що викликає неконтрольованих рух пили вгору від виробу, що розпилюється, та в напрямку оператора
- Коли лезо защемлене або міцно застрягло у розрізі деревини, воно перестає обертатись, тож мотор спричиняє швидкий рух інструмента назад в напрямку оператора
- Якщо лезо зігнулося в розрізі або погано відцентроване, зубці в задній частині пили можуть глибоко виходити в поверхню деревини, в результаті чого лезо виходить з розрізу та відлітає назад в напрямку оператора

ВІДДАЧА – засоби запобігання, які може вжити оператор

Віддача є результатом некоректного або нецільового використання інструмента або обставин, яких можливо уникнути, якщо вжити відповідних заходів безпеки, як вказано далі

- **Обома руками міцно тримайте пилу, прикладаючи зусилля для запобігання віддачі;** стійте збоку від стола, а не на одній лінії з лезом (в результаті віддачі пила може стрибнути назад, але оператор може контролювати силу віддачі за умови вживання відповідних заходів безпеки)
- **Якщо лезо застрягло, або якщо розпилювання було зупинено з якоїсь причини, відпустіть тригер та залиште нерухому пилу в матеріалі до повної зупинки леза; ніколи не намагайтеся забрати пилу від виробу або витягти її назад, якщо лезо ще рухається, або можлива віддача** (перевірте виріб, що розпилюється, та усуньте причину заїдання леза; запобігайте розпилюванню цвяхів або гвинтів)

- **При повторному встановленні пили на виріб відцентруйте лезо пили в розрізі та впевніться, що зубці пили не застрягли в матеріалі** (якщо лезо застрягло, під час увімкнення пили воно може рухатись вгору або викликати віддачу)
- **Забезпечте додаткову опору великих панелей, що мінімізують ризик того, що лезо застрягне та викликає віддачу** (великі панелі можуть прогинатися під власною вагою, тож під панелі з обох боків біля лінії розрізу та біля краю панелі треба поставити опори)
- **Не використовуйте путі або uszkodжені леза** (не заточені або неправильно встановлені леза утворюють вузький розріз та викликають надмірне тертя, спричиняючи заїдання леза та віддачу)
- **Затискні важелі регулювання глибини та нахилу леза мають бути добре та безпечно затягнені, перш ніж приступати до розпилю** (якщо під час розпилювання настрійка леза змінюється, це може викликати заїдання леза та віддачу)
- **Будьте особливо уважні, коли робите врізання в існуючі стіни або на інших ділянках з обмеженою оглядовістю** (лезо, що виступає, може порізати якісь предмети, що може викликати віддачу)

ПОПЕРЕДЖЕННЯ

- **Перед кожним використанням перевірте, чи добре закривається нижній обмежувач**
- **Не використовуйте пилу, якщо нижній обмежувач не пересувається вільно та не закривається негайно**
- **Ніколи не фіксуйте нижній обмежувач у відкритому положенні**
- В разі випадкового падіння пили нижній обмежувач може погнутись; підніміть нижній обмежувач за допомогою ручки, що відводиться назад, та впевніться, що він вільно рухається, не чіпаючи леза або будь-якої іншої частини інструменту, під всіма кутами та на будь-яку глибину розрізу
- **Перевірте функціонування пружини нижнього обмежувача; в разі некоректного функціонування обмежувача та пружини перед їх використанням треба провести їх технічне обслуговування** (нижній обмежувач може працювати надто повільно внаслідок пошкодження якихось деталей, утворення клейкого нальоту або засмічення)
- **Нижній обмежувач може втягуватись вручну тільки для виконання особливих розрізів, таких як врізання та складні розрізи; підніміть нижній обмежувач, відтягнувши ручку, та щойно лезо увійде в матеріал, відпустіть нижній обмежувач** (в усій інших випадках розпилювання нижній обмежувач має функціонувати в автоматичному режимі)
- **Кожного разу, перш ніж поставити пилу на верстат або підлогу, перевіряйте, чи покритває нижній обмежувач лезо** (незахищене лезо, що рухається за інерцією, викликає зворотній рух пили, що розпилюватиме все на своєму шляху; зважайте на час, необхідний для повної зупинки леза після того, як вимикач було відпущено)

- Не допускайте пошкоджень, які можуть нанести шурупи, цвяхи і інші елементи Вашого виробу; видаліть їх перед початком роботи
- Перед тим, як покласти інструмент, вимкніть його та переконайтеся в тому, що всі рухомі деталі повністю зупинилися
- Використовуйте повністю розмотані та безпечні шнури на 16 А
- У випадку електричної чи механічної несправності негайно вимкніть інструмент та вийміть вилку з розетки
- SKIL гарантує надійну роботу інструмента тільки при використанні відповідного приладдя
- Використовувати тільки те приладдя, максимально допустима швидкість обертання якого не менше, ніж максимальна швидкість приладу на холостому ході
- Ніколи не використовуйте цей інструмент без оригінальної системи захисних обмежувачів
- Цим інструментом не повинні користуватися лица молодші за 16 років
- Рівень шуму при роботі може перевищувати 85 дБ(а); використовуйте навушники
- При роботі з інструментом будьте особливо обережні, якщо поблизу є електропроводка
- При пошкодженні чи розрізі дрота під час роботи не притуляйтесь до нього, та негайно розімкніть штепсельний розйом
- Ніколи не використовуйте інструмент, якщо шнур пошкоджений; необхідно щоб кваліфікований спеціаліст замінив його
- Обов'язково переконайтеся, що напруга струму відповідає напрузі, вказаній на фірмовому штепелі інструмента (інструменти розраховані на напругу 230 В або 240 В, можна підключати до струму 220 В)
- Цей інструмент не підходить для мокрого розпилювання
- Після вимкнення дискової пили ніколи не намагайтеся зупинити обертання його леза, застосовуючи до нього кокові зусилля
- Ніколи не використовуйте леза, виготовлені з швидкорізальної сталі (HSS)
- Ніколи не використовуйте в цьому інструменті шліфувальні / ріжучі диски
- Не ріжте цим інструментом матеріали, що містять азбест
- Вдягайте пилозахисну маску при роботі з матеріалами, що породжують небезпечний для здоров'я пил; завчасно дізнайтеся про властивості матеріалів, з якими Ви будете працювати
- Не намагайтеся розрізати дуже маленькі вироби
- Перш ніж почати розпилювання, видаліть всі перешкоди на поверхні та під лінією розпили
- При розпилюванні не тримайте пилу над головою
- Використовуйте тільки розпилювальний стіл, який оснащено вимикачем, що запобігає увімкненню мотора після переривання в електропостачанні
- Використовуйте тільки розпилювальний стіл, який оснащено спрямовувачем пропили
- **Перед регулюванням або заміною приладдя обов'язково дістаньте вилку з розетки**

ВИКОРИСТАННЯ

- **Заміна леза пили ③**
 - візьміть шестигранний ключ А з контейнера В
 - натисніть кнопку блокування шпинделя С та утримуйте її, поки вийматимете болт леза D за допомогою відповідного шестигранний ключа
 - ! **натискайте кнопку блокування шпинделя С, тільки коли жодний елемент інструмента не рухається**
 - відпустіть кнопку блокування шпинделя С
 - видаліть фланець Е
 - відкрийте нижній обмежувач F за допомогою важеля G та утримуйте його, поки Ви замінюватимете лезо пили, встановлюючи його таким чином, щоб зубці пили та стрілка на лезі вказували в тому ж напрямку, що й стрілка на нижньому обмежувачі
 - відпустіть нижній обмежувач F
 - встановіть фланець Е
 - ! **переконайтеся, що встановлювальні поверхні Н фланців ідеально чисті та „дивляться" на лезо**
 - натисніть кнопку блокування шпинделя С та утримуйте її, поки не затягнете болт леза шестигранним ключем на 1/8 оберту після того, як доводиться докладати ручного зусилля (забезпечте проковзування леза пили, коли воно стикається з надмірним опором, що забезпечує зменшення перевантаження мотора та віддачі пили)
 - відпустіть кнопку блокування шпинделя С
- **Регулювання глибини розпили (0-55 мм) ④**
 - для отримання оптимальної якості розпилювання лезо пили не повинно виглядати з-під виробу, що розпилюється, більше, ніж на 3 мм
 - відпустіть важіль J
 - підніміть/опустіть притискну пластину K до встановлення необхідної глибини розрізу на шкалі за допомогою індикатора L
 - затягніть важіль J
- **Регулювання кута розпили (0-45°) ⑤**
 - відпустіть ручку M
 - нахиліть інструмент до отримання необхідного кута розрізу, що встановлюється на шкалі за допомогою індикатора N
 - затягніть ручку M
 - ! **під час фаетування глибина розрізу не відповідає значенню глибини розрізу, що встановлене на шкалі**
- **Перевірка кута розпили в 90° ⑥**
 - відрегулюйте та затягніть притискну пластину K, встановивши максимальну глибину розрізу ④
 - відрегулюйте та зафіксуйте кут розрізу 0°
 - перевірте наявність 90° кута між лезом та основою притискної пластини за допомогою косинця
- **Регулювання вказівник лінії пропили ⑥а**
 - для спрямування інструменту поздовж необхідній лінії розрізу, яка накреслена на виробі

- для прямого розрізання під кутом 0° або фацетування використовуйте відповідну лінію індикатора
- ! **широка частина притисної пластини має спиратися на частину виробу, що міститься на опорі**
- може бути відрегульовано так, що дозволить Вам вибрати один з двох способів прямування лінії пропили з внутрішньої чи зовнішньої сторони леза ⑥b
- ! **ширина розрізу визначається шириною зубців пили, а не шириною самого полотна пили**
- ! **завжди спочатку робіть пробні розпили, щоб перевірити лінію пропили**
- Пилоловлювання
 - під'єднайте пилосос до подовжувача Q ②
 - ! **не дозволяйте шлангу пилососа заважати функціонуванню нижнього обмежувача або розпилюванню**
 - можна також використовувати пакет для збору пилу (аксесуар SKIL 2610387402)
- Експлуатація інструменту ②
 - під'єднайте штепсельну вилку до мережі електроживлення
 - завжди міцно тримайте однією рукою ручку R, а іншою рукою – ручку S
 - поставте інструмент передньою частиною притисної пластини на виріб, що розпилюється
 - ! **переконайтеся, що зубці пили не застрягли в вирібі**
 - увімкніть інструмент, спочатку натиснувши ручку T (= аварійний вимикач, який не можна вимкнути), а потім потягнувши за тригер V
 - ! **перш, ніж лезо пили торкнеться виробу, інструмент має працювати на повну швидкість**
 - нижній обмежувач F відкривається автоматично, коли лезо пили торкається виробу (тільки в разі виконання особливого розрізу, такого як врізання, можна відкрити нижній обмежувач вручну за допомогою важеля G)
 - використовуючи інструмент, не прикладайте надмірного зусилля; зусилля має бути помірним та постійним
 - виконавши розпил, вимкніть інструмент, відпустивши тригер V
 - ! **перш, ніж піднімати інструмент з поверхні виробу переконайтеся, що лезо пили повністю зупинилось**

ПОРАДИ ПО ВИКОРИСТАННЮ

- Завжди розташуйте виріб лицьовою стороною донизу, щоб забезпечити мінімальний ризик розколювання
- Використовуйте лише гострі леза пили відповідного типу ⑦
 - якість розпилювання покращується зі збільшенням кількості зубів леза
 - твердосплавні леза залишаються гострими у 30 разів довше, ніж звичайні леза

- Направляюча планка W ⑧
 - для точного розпилювання виробу по всій його довжині
 - може бути встановлена з обох боків притисної пластини
- Встановлювання направляючої планки
 - послабте ручку X
 - використовуючи шкалу направляючої планки, встановіть необхідну ширину розпили (використовуйте вказівник лінії пропили P, як основу для рівного пропили)
 - затягніть ручку X
- Врізання ⑨
 - встановіть необхідну глибину врізання
 - для того щоб зробити рівний пропили необхідно накласти вказівник лінії пропили P на лінію, що ви нанесли на робочий матеріал
 - відкрийте нижній обмежувач F за допомогою важеля G
 - перш ніж лезо торкнеться виробу, увімкніть інструмент та поступово опускайте задню частину інструмента, використовуючи передню частину притисної пластини як точку шарніра
 - поступово переміщуйте інструмент донизу та вперед
 - як тільки лезо торкнеться матеріалу, відпустіть важіль G
 - ! **ніколи не відтягуйте інструмент назад**
- Розрізання великих панелей ⑩
 - забезпечте опору панелі, яка має бути розташована біля лінії розрізу та спиратися на підлогу, на стіл або на верстат
 - ! **встановіть глибину розрізу таким чином, щоб розрізати панель, а не опору**
 - якщо направляюча планка не дозволяє виконати розріз потрібної ширини, прикріпіть або прибийте цвяхами до виробу пряму дерев'яну планку в якості спрямовувача, та притискайте до неї правий бік притисної пластини
- Для отримання додаткової інформації відвідайте сайт www.skileurope.com

ГАРАНТІЯ / ОХОРОНА НАВКОЛИШНЬОЇ СЕРЕДИ

- Завжди тримайте інструмент та його шнур в чистоті (особливо вентиляційні отвори)
 - ! **перед чисткою інструмента необхідно роз'єднати штепсельний роз'єм**
- Прочистіть лезо пили негайно після використання (особливо від залишків резини та клею)
- Цей виріб SKIL має гарантію відповідно з встановленими правилами; пошкодження в наслідок не нормальної експлуатації, перевантаження або неправильного використання не включені до гарантії
- При неполадці відішліть інструмент у нерозібраному вигляді разом з доказом покупки дилеру або в найближчий відділ обслуговування SKIL (адреса та схема обслуговування інструмента приводяться в www.skileurope.com)

- **Не викидайте електроінструмент, належності та упаковку разом зі звичайним сміттям** (тільки для країн ЄС)
- відповідно до європейської директиви 2002/96/ЄС щодо утилізації старих електричних та електронних приладів, в залежності з місцевим законодавством, електроінструмент, який перебував в експлуатації повинен бути утилізований окремо, безпечним для навколишнього середовища шляхом
- малюнок ① нагадає вам про це

GR

Διακοπή

5855

ΕΙΣΑΓΩΓΗ

- Το εργαλείο προορίζεται για τη διεξαγωγή επίμηκων και εγκάρσιων τομών σε ξύλο με ευθεία διαδρομή ή με διαδρομή υπό γωνία έως 45° - σε τις καταλληλές προνόλαμες μπορούν να πρινιστούν και μη πολύτιμα μέταλλα εκτός σιδήρου, ελαφρά δομικά υλικά καθώς και πλαστικά
- Διαβάστε και φυλάξτε αυτές τις οδηγίες χρήσεως

ΤΕΧΝΙΚΑ ΧΑΡΑΚΤΗΡΙΣΤΙΚΑ ①

ΑΣΦΑΛΕΙΑ

ΓΕΝΙΚΕΣ ΥΠΟΔΕΙΞΕΙΣ ΑΣΦΑΛΕΙΑΣ

ΠΡΟΕΙΔΟΠΟΙΗΣΗ! Διαβάστε όλες τις υποδείξεις.

Η μη τήρηση των παρακάτω υποδείξεων μπορεί να έχει σα συνέπεια ηλεκτροπληξία, κίνδυνο πυρκαϊάς ή/και σοβαρούς τραυματισμούς. Ο χαρακτηρισμός «ηλεκτρικό εργαλείο» που χρησιμοποιείται στις παρακάτω προειδοποιητικές υποδείξεις αφορά ή το φορητό (χειρισμός με το χέρι) ηλεκτρικό μηχάνημα σας (με ηλεκτρικό καλώδιο).

ΔΙΑΦΥΛΑΞΤΕ ΑΥΤΕΣ ΤΙΣ ΥΠΟΔΕΙΞΕΙΣ.

1) ΧΩΡΟΣ ΕΡΓΑΣΙΑΣ

- Διατηρείτε το χώρο που εργάζεσθε καθαρό και καλά φωτισμένο.** Αταξία στο χώρο που εργάζεσθε και μη φωτισμένες περιοχές εργασίας μπορεί να οδηγήσουν σε ατυχήματα.
- Μην εργάζεσθε με το ηλεκτρικό εργαλείο σε περιβάλλον που υπάρχει κίνδυνος έκρηξης, στο οποίο υπάρχουν εύφλεκτα υγρά, αέρια ή σκόνη.** Τα ηλεκτρικά εργαλεία μπορεί να δημιουργήσουν σπινθηρισμό ο οποίος μπορεί να αναφλέξει τη σκόνη ή τις αναθυμιάσεις.
- Όταν χρησιμοποιείτε το ηλεκτρικό εργαλείο κρατάτε τα παιδιά κι άλλα τυχόν πρόσωπα μακριά από το χώρο που εργάζεσθε.** Σε περίπτωση που άλλα άτομα αποσπάσουν την προσοχή σας μπορεί να χάσετε τον έλεγχο του μηχανήματος.

2) ΗΛΕΚΤΡΙΚΗ ΑΣΦΑΛΕΙΑ

- Το φως του καλωδίου του ηλεκτρικού εργαλείου πρέπει να αιριάζει στην αντίστοιχη πρίζα. Δεν επιτρέπεται με κανένα τρόπο η μετασκευή του φως. Μην χρησιμοποιείτε προσαρμοστικά φως σε συνδυασμό με ηλεκτρικά εργαλεία συνδεδεμένα με τη γη (γειωμένα).** Αθικτα φως και κατάλληλες πρίζες μειώνουν τον κίνδυνο ηλεκτροπληξίας.
 - Αποφεύγετε την επαφή του σώματος σας με γειωμένες επιφάνειες όπως σωλήνες, θερμαντικά σώματα (καλοριφέρ), κουζίνες και ψυγεία.**
Όταν το σώμα σας είναι γειωμένο αυξάνεται ο κίνδυνος ηλεκτροπληξίας.
 - Μην εκθέτετε το ηλεκτρικό εργαλείο στη βροχή ή την υγρασία.** Η διείσδυση νερού στο ηλεκτρικό εργαλείο αυξάνει τον κίνδυνο ηλεκτροπληξίας.
 - Μην χρησιμοποιείτε το καλώδιο για να μεταφέρετε ή ν'αναρτήσετε το ηλεκτρικό εργαλείο ή για να βγάλετε το φως από την πρίζα.** Κρατάτε το καλώδιο μακριά από υψηλές θερμοκρασίες, λάδια, κοφτερές ακμές ή κινούμενα εξαρτήματα.
Τυχόν χαλασμένα ή μπερδεμένα καλώδια αυξάνουν τον κίνδυνο ηλεκτροπληξίας.
 - Όταν εργάζεσθε με το ηλεκτρικό εργαλείο στο ύπαιθρο χρησιμοποιείτε πάντοτε καλώδια επιμήκυνσης (μπαλαντάζες) που έχουν εγκριθεί για χρήση σε εξωτερικούς χώρους.**
Η χρήση καλωδίων επιμήκυνσης εγκριμένων για εργασία σε εξωτερικούς χώρους μειώνει τον κίνδυνο ηλεκτροπληξίας.
- #### 3) ΑΣΦΑΛΕΙΑ ΠΡΟΣΩΠΩΝ
- Να είσθε πάντοτε προσεκτικός/προσεκτική, να δίνετε προσοχή στην εργασία που κάνετε και να χειρίζεσθε το ηλεκτρικό εργαλείο με περίσκεψη. Μην κάνετε χρήση του ηλεκτρικού εργαλείου όταν είσθε κουρασμένος/κουρασμένη ή όταν βρίσκεσθε υπό την επιρροή ναρκωτικών, οινοπνεύματος ή φαρμάκων.** Μια στιγμήα απροσεξία κατά το χειρισμό του ηλεκτρικού εργαλείου μπορεί να οδηγήσει σε σοβαρούς τραυματισμούς.
 - Φοράτε προστατευτικά ενδύματα και πάντοτε προστατευτικά γυαλιά.** Όταν φοράτε ενδύματα ασφαλείας, ανάλογα με το υπό χρήση ηλεκτρικό εργαλείο, όπως προσωπίδα προστασίας από σκόνη, αντιολισθητικά παπούτσια ασφαλείας, κράνη ή ωτασπίδες, μειώνεται ο κίνδυνος τραυματισμών.
 - Αποφεύγετε την αθέλητη θέση σε λειτουργία του ηλεκτρικού εργαλείου. Βεβαιωθείτε, ότι ο διακόπτης ON/OFF βρίσκεται στη θέση «OFF», πριν συνδέσετε το ηλεκτρικό εργαλείο με την πρίζα.** Όταν μεταφέρετε το ηλεκτρικό εργαλείο έχοντας το δάκτυλο σας στο διακόπτη ON/OFF ή αν συνδέσετε το ηλεκτρικό εργαλείο με την πηγή ρεύματος όταν ο διακόπτης ON/OFF βρίσκεται στη θέση «ON», αυτό μπορεί να οδηγήσει σε σοβαρούς τραυματισμούς.
 - Αφαιρείτε από τα ηλεκτρικά εργαλεία πριν τα θέσετε σε λειτουργία τυχόν συναρμολογημένα χρησιμοποιήσιμα εργαλεία ή κλειδιά.** Ένα εργαλείο ή κλειδί συναρμολογημένο στο περιστρεφόμενο εξάρτημα ενός ηλεκτρικού εργαλείου μπορεί να οδηγήσει σε τραυματισμούς.

- e) Μην υπερκτιμάτε τον εαυτό σας. Φροντίζετε για την ασφαλή στήριξη του σώματος σας και διατηρείτε πάντοτε την ισορροπία σας. Αυτό σας επιτρέπει τον καλύτερο έλεγχο το ηλεκτρικού εργαλείου σε περιπτώσεις απροσδόκητων καταστάσεων.
- f) Φοράτε κατάλληλη ενδυμασία εργασίας. Μην φοράτε φαρδιά ενδύματα ή κοσμήματα. Κρατάτε τα μαλλιά σας, τα ενδύματα σας και τα γάντια σας μακριά από τα κινούμενα εξαρτήματα. Χαλαρή ενδυμασία, κοσμήματα και μακριά μαλλιά μπορεί να εμπλακούν στα κινούμενα εξαρτήματα.
- g) Αν υπάρχει η δυνατότητα συναρμολόγησης διατάξεων αναρρόφησης ή συλλογής σκόνης, βεβαιωθείτε αν οι διατάξεις αυτές είναι συνδεδεμένες καθώς κι αν χρησιμοποιούνται σωστά. Η χρήση τέτοιων διατάξεων μειώνει τους κινδύνους που προέρχονται από τη σκόνη.
- 4) ΧΡΗΣΗ ΚΙ ΕΠΙΜΕΛΗΣ ΧΕΙΡΙΣΜΟΣ ΤΩΝ ΗΛΕΚΤΡΙΚΩΝ ΕΡΓΑΛΕΙΩΝ
- a) Μην υπερφορτώνετε το ηλεκτρικό εργαλείο. Χρησιμοποιείτε για την εκάστοτε εργασία σας το ηλεκτρικό εργαλείο που προορίζεται γι'αυτήν. Με το κατάλληλο ηλεκτρικό εργαλείο εργάζεσθε καλύτερα και ασφαλέστερα στην αναφερόμενη περιοχή ισχύος.
- b) Μην χρησιμοποιήσετε ποτέ ένα ηλεκτρικό εργαλείο του οποίου ο διακόπτης ON/OFF είναι χαλασμένος. Ένα ηλεκτρικό εργαλείο το οποίο δεν μπορεί να τεθεί πλέον σε ή εκτός λειτουργίας είναι επικίνδυνο και πρέπει να επισκευαστεί.
- c) Βγάλτε το ρύψ από την πρίζα πριν διεξάγετε κάποια εργασία φύσηξης του ηλεκτρικού εργαλείου, πριν αντικαταστήσετε/αλλάξετε κάποιο εξάρτημα ή όταν πρόκειται να το διαφυλάξετε/αποθηκεύσετε. Αυτά τα προληπτικά μέτρα ασφαλείας μειώνουν τον κίνδυνο να τεθεί το μηχάνημα αθλήτη σε λειτουργία.
- d) Διαφυλάγετε τα ηλεκτρικά εργαλεία που δε χρησιμοποιείτε μακριά από παιδιά. Μην αφήνετε άτομα που δεν είναι εξοικειωμένα με το ηλεκτρικό εργαλείο ή δεν έχουν διαβάσει αυτές τις οδηγίες χρήσης να το χρησιμοποιήσουν. Τα ηλεκτρικά εργαλεία είναι επικίνδυνα όταν χρησιμοποιούνται από άπειρα πρόσωπα.
- e) Να περιποιήστε προσεκτικά το ηλεκτρικό σας εργαλείο και να ελέγχετε, αν τα κινούμενα τμήματα του λειτουργούν άψογα και δεν μπλοκάρουν, ή μήπως έχουν χαλασει ή σπάσει εξαρτήματα, τα οποία επηρεάζουν έτσι αρνητικά τον τρόπο λειτουργίας του ηλεκτρικού εργαλείου. Δώστε τυχόν χαλασμένα εξαρτήματα του ηλεκτρικού εργαλείου για επισκευή πριν το χρησιμοποιήσετε πάλι. Η ανεπαρκής συντήρηση των ηλεκτρικών εργαλείων αποτελεί αιτία πολλών ατυχημάτων.
- f) Διατηρείτε τα κοπτικά εργαλεία κοφτερά και καθαρά. Τα κοπτικά εργαλεία που συντηρούνται με προσοχή μπορούν να οδηγηθούν εύκολα και να ελεγχθούν καλύτερα.

- g) Χρησιμοποιείτε τα ηλεκτρικά εργαλεία, τα εξαρτήματα, τα χρησιμοποιήσιμα εργαλεία κτλ. σύμφωνα με τις παρούσες οδηγίες καθώς και όπως προβλέπεται για τον εκάστοτε τύπο μηχανήματος. Λαμβάνετε ταυτόχρονα υπόψη σας τις συνθήκες εργασίας και την υπό εκτέλεση εργασία. Η χρήση του ηλεκτρικού εργαλείου για άλλες εκτός από τις προβλεπόμενες εργασίες μπορεί να δημιουργήσει επικίνδυνες καταστάσεις.

5) SERVICE

- a) Δίνετε το ηλεκτρικό σας εργαλείο για επισκευή από άτομα ειδικευμένο προσωπικό, μόνο με γνήσια ανταλλακτικά. Έτσι εξασφαλίζεται η διατήρηση της ασφάλειας του ηλεκτρικού εργαλείου.

ΥΠΟΔΕΙΞΕΙΣ ΑΣΦΑΛΕΙΑΣ ΔΙΣΚΟΠΡΙΟΝΟ

ΚΙΝΔΥΝΟΣ

- Κρατάτε τα χέρια μακριά από την περιοχή κοπής και από τον δίσκο - κρατάτε το δεύτερό σας χέρι στην μπροστινή λαβή (όταν και τα δυο σας χέρια κρατάνε το πριόνι, δεν υπάρχει κίνδυνος να τα κόψετε με τον δίσκο)
- Μην βάζετε τα χέρια σας κάτω από το κομμάτι εργασίας (ο προφυλακτήρας δεν μπορεί να σας προστατέψει από τον δίσκο κάτω από το κομμάτι εργασίας)
- Προσαρμότε το βάθος κοπής ανάλογα με το πάχος του ξύλου κοπής (να είναι ορατή κάτω από το ξύλο κοπής μία πλήρης οδόντωση του πριονοδίσκου κοπής)
- Ποτέ μην κρατάτε το κομμάτι εργασίας στα χέρια σας ή επάνω στο πόδι σας για να το κόψετε (είναι σημαντικό το κομμάτι εργασίας να στηρίζεται καλά, για τη μείωση στο ελάχιστο της έκθεσης του σώματος ή του ενδεχόμενου σφηνώματος του δίσκου ή απώλειας του ελέγχου)
- Κρατάτε το εργαλείο από τις μονωμένες λαβές όταν εκτελείτε εργασίες κατά τις οποίες το κοπτικό εργαλείο ενδέχεται να έρθει σε επαφή με μη ορατές καλωδιώσεις ή με το δικό του καλώδιο (η επαφή με καλώδιο το οποίο βρίσκεται υπό ηλεκτρική τάση θα θέσει υπό ηλεκτρική τάση τα εκτεθειμένα μεταλλικά μέρη του εργαλείου και θα προκαλέσει ηλεκτροπληξία του χειριστή)
- Χρησιμοποιείτε πάντα τον οδηγό παράλληλης κοπής ή τον οδηγό ευθείας γωνίας όταν πραγματοποιείτε παράλληλες κοπές (έτσι αυξάνεται η ακρίβεια κοπής και μειώνεται η πιθανότητα σφηνώματος του δίσκου)
- Χρησιμοποιείτε πάντα δίσκους κοπής των οποίων οι οπές για τον άξονα έχουν το σωστό μέγεθος και το σωστό σχήμα (σχήμα διαμαντιού και όχι στρογγυλές) (οι δίσκοι κοπής που δεν εφαρμόζονται σωστά στο δισκοπριόνιο θα περιστρέφονται εκκεντρικά, με αποτέλεσμα να χάσετε τον έλεγχο του εργαλείου)
- Ποτέ μη χρησιμοποιείτε ροδέλες ή κοχλίες του δίσκου οι οποίοι παρουσιάζουν βλάβη ή δεν είναι κατάλληλοι (οι ροδέλες και ο κοχλίας του δίσκου έχουν σχεδιαστεί ειδικά για το δισκοπριόνό σας, για την καλύτερη δυνατή απόδοση και ασφάλεια λειτουργίας)

ΚΛΩΤΣΗΜΑ - ΑΙΤΙΕΣ

- Το “κλώτσημα” είναι μια απότομη αντίδραση προκαλούμενη από έναν σφηνωμένο, μπλοκαρισμένο ή μη ευθυγραμμισμένο δίσκο, που έχει ως αποτέλεσμα το δισκοπρίονο να μην βρίσκεται πια υπό τον έλεγχο του χειριστή και να εκσφενδονίζεται προς τα επάνω, έξω από το κομμάτι εργασίας και προς το μέρος του χειριστή
- Όταν ο δίσκος έχει σφηνώσει ή μαγκώσει σφιχτά στον αρμό κοπής, ο δίσκος μπλοκάρει και η κίνηση της μηχανής σπρώχνει το εργαλείο με μεγάλη ταχύτητα προς το μέρος του χειριστή
- Σε περίπτωση που ο δίσκος παραμορφωθεί ή δεν είναι σωστά ευθυγραμμισμένος στην εγκοπή, τα δόντια στο πίσω άκρο του δίσκου ενδέχεται να αρπάξουν την επάνω επιφάνεια του ξύλου με αποτέλεσμα ο δίσκος να βγει από τον αρμό κοπής και να πεταχτεί προς το μέρος του χειριστή

ΚΛΩΤΣΗΜΑ - ΠΡΟΦΥΛΑΞΕΙΣ ΧΕΙΡΙΣΤΗ

Το κλώτσημα είναι το αποτέλεσμα της λανθασμένης χρήσης του εργαλείου και/ή λανθασμένων διαδικασιών ή συνθηκών χειρισμού, και μπορεί να αποφευχθεί με τη λήψη των παρακάτω προληπτικών μέτρων

- **Κρατάτε το δισκοπρίονο σφιχτά με τα δυο σας χέρια και τοποθετήστε τα βραχίονιά σας σταθερά ώστε να μπορείτε να αντισταθείτε στις δυνάμεις ενός ενδεχόμενου κλωτσήματος του δισκοπρίονου - τοποθετήστε το σωμα σας σε μια από τις δύο πλευρές του δίσκου, αλλά όχι στη ευθεία του δίσκου** (αν “κλωτσήσει” το δισκοπρίονο μπορεί να πεταχτεί προς τα πίσω, αλλά ο χειριστής μπορεί να ελέγξει τις δυνάμεις ενός ενδεχόμενου κλωτσήματος, αν λάβει τα κατάλληλα προληπτικά μέτρα)
- **Όταν ο δίσκος μαγκώνει, ή όταν διακόπεται η κοπή για οποιονδήποτε λόγο, αφήστε τη σκανδάλη και κρατήστε το δισκοπρίονο ακίνητο στο υλικό μέχρι να σταματήσει τελείως ο δίσκος - ποτέ μην επιχειρείτε να απομακρύνετε το δισκοπρίονο από το κομμάτι εργασίας ή να τραβήξετε το δισκοπρίονο προς τα πίσω ενώ ο δίσκος βρίσκεται σε κίνηση: υπάρχει κίνδυνος κλωτσήματος** (εξακριβώστε την αιτία και λάβετε τα απαιτούμενα μέτρα για την εξουδετέρωση της αιτίας του σφηνώματος του δίσκου - αποφεύγετε την κοπή καρφιών ή βιδιών)
- **Κατά την επανεκκίνηση του δισκοπρίονου στο κομμάτι εργασίας, κεντράρετε τον δίσκο κοπής στον αρμό κοπής και βεβαιωθείτε ότι τα δόντια του δίσκου δεν εμπλέκονται στο υλικό** (αν σφηνώσει ο δίσκος κοπής, ενδέχεται να κινηθεί προς τα πάνω ή να κλωτσήσει κατά την επανεκκίνηση του δισκοπρίονου)
- **Υποστηρίξτε μεγάλα φύλλα ξύλου για να μειώσετε στο ελάχιστο τον κίνδυνο του σφηνώματος και του κλωτσήματος του δίσκου** (μεγάλα φύλλα έχουν την τάση να λυγίζουν κάτω από το δικό τους βάρος - τα στηρίγματα θα πρέπει να τοποθετούνται και στις δύο πλευρές κάτω από το φύλλο, κοντά στη γραμμή κοπής και κοντά στην άκρη του φύλλου)

- **Μη χρησιμοποιείτε στομωμένους ή φθαρμένους δίσκους** (όταν χρησιμοποιούνται αμβλείς ή λάθος τοποθετημένοι δίσκοι σχηματίζονται στενοί αρμοί κοπής, με αποτέλεσμα τη δημιουργία υπέρμετρης τριβής, το σφηνώμα του δίσκου και το κλώτσημα του πριονιού)
- **Οι μοχλοί ασφάλισης του βάθους κοπής και της ρύθμισης λοξής γωνίας θα πρέπει να έχουν σφικτεί και να έχουν ασφαλιστεί πριν από την πραγματοποίηση της κοπής** (αν αλλάξει η ρύθμιση του δίσκου κατά τη διάρκεια της κοπής υπάρχει το ενδεχόμενο να σφηνώσει ή να κλωτσήσει το δισκοπρίονο)
- **Χρειάζεται ιδιαίτερη προσοχή όταν πραγματοποιείται διεισδυτική κοπή σε υπάρχοντες τοίχους ή άλλες “τυφλές” επιφάνειες** (ο προεξέχων δίσκος μπορεί να κόψει αντικείμενα τα οποία ενδέχεται να προκαλέσουν κλώτσημα)

ΠΡΟΕΙΔΟΠΟΙΗΣΗ!

- **Πριν από κάθε χρήση, βεβαιωθείτε ότι κλείνει σωστά ο κάτω προφυλακτήρας**
- **Μη χρησιμοποιείτε τον πρίονο όταν ο κάτω προφυλακτήρας δεν κινείται ελεύθερα ή όταν δεν κλείνει αμέσως**
- **Ποτέ μη σπίγγετε ή δένετε τον κάτω προφυλακτήρα στην ανοιχτή θέση**
- **Αν αφήσετε το δισκοπρίονο να πέσει, υπάρχει το ενδεχόμενο να έχει στραβώσει ο κάτω προφυλακτήρας** - σηκώστε τον κάτω προφυλακτήρα με τη βοήθεια της λαβής ανύψωσης και βεβαιωθείτε ότι κινείται ελεύθερα και ότι δεν έρχεται σε επαφή με τον δίσκο ή με οποιοδήποτε άλλο εξάρτημα, σε όλες τις γωνίες και σε όλα τα βάθη κοπής
- **Ελέγξτε τη λειτουργία του ελατηρίου του κάτω προφυλακτήρα - αν ο προφυλακτήρας και το ελατήριο δεν λειτουργούν σωστά, θα πρέπει να επισκευαστούν πριν από τη χρήση** (ο κάτω προφυλακτήρας ενδέχεται να είναι δυσκίνητος εξαιτίας ελαττωματικών εξαρτημάτων, αποθέσεων καουτσούκ ή συσσώρευσης σκόνης)
- **Η ανύψωση του κάτω προφυλακτήρα με το χέρι επιτρέπεται μόνο όταν πραγματοποιούνται ειδικές κοπές, όπως για παράδειγμα διεισδυτικές ή σύνθετες κοπές - σηκώστε τον κάτω προφυλακτήρα με τη βοήθεια της λαβής ανύψωσης και κατεβάστε τον κάτω προφυλακτήρα μόλις μπει ο δίσκος στο υλικό** (για όλες τις άλλες εργασίες κοπής, ο κάτω προφυλακτήρας θα πρέπει να λειτουργεί αυτόματα)
- **Βεβαιωθείτε πάντα ότι ο κάτω προφυλακτήρας καλύπτει τον δίσκο κοπής πριν τοποθετήσετε το δισκοπρίονο στον πάγκο εργασίας ή στο δάπεδο** (ένας απροστάτευτος δίσκος που δεν έχει ακόμα σταματήσει να περιστρέφεται θα κάνει το δισκοπρίονο να κινείται προς τα πίσω και να κόβει οτιδήποτε συναντήσει στην πορεία του - έχετε υπόψη σας τον χρόνο που απαιτείται για να σταματήσει ο δίσκος από τη στιγμή που αφήνετε τον διακόπτη)

- Αποφεύγετε τις βλάβες που μπορεί να προκληθούν από βίδες, καρφιά ή άλλα ξένα στοιχεία που ίσως υπάρχουν μέσα στο κομμάτι που καταργάζεστε - αφαιρέστε τα προτού αρχίσετε τη κοπή
- Όταν τελειώνετε την δουλειά σας και ακουμπάτε το εργαλείο στο πλάϊ, κλείστε τον διακόπτη και βεβαιωθείτε ότι όλα τα κινούμενα μέρη του έχουν σταματήσει εντελώς
- Χρησιμοποιείτε ασφαλείς προεκτάσεις καλωδίων χωρίς να είναι τυλιγμένες σε τροχό και με χωρητικότητα 16 Amps
- Σε περίπτωση που το εργαλείο σας θα "κολλήσει", ή σε περίπτωση κακής ηλεκτρικής ή μηχανικής λειτουργίας, σταματήστε αμέσως το εργαλείο και βγάλτε το από την πρίζα
- Η SKIL εγγυάται την τέλεια λειτουργία του εργαλείου μόνο όταν χρησιμοποιούνται αυθεντικά εξαρτήματα
- Χρησιμοποιείτε μόνο εξαρτήματα των οποίων ο ύψιστος επιτρεπός αριθμός στροφών είναι τουλάχιστον τόσο υψηλός, όσο ο ύψιστος αριθμός στροφών χωρίς φορτίο του εργαλείου
- Μην χρησιμοποιείτε ποτέ το εργαλείο σας χωρίς το προστατευτικό σύστημα που δίνει ο κατασκευαστής
- Αυτό το εργαλείο δεν πρέπει να χρησιμοποιείται από άτομα ηλικίας κάτω των 16 ετών
- Η ηχητική στάθμη κατά την εργασία ενδέχεται να ξεπεράσει τα 85 dB(A) - γι' αυτό θα πρέπει να φοράτε προστασία ακοής
- Σε περίπτωση που υποστεί βλάβη ή κοπεί το καλώδιο κατά την εργασία, μην αγγίζετε το καλώδιο, αλλά αποσυνδέστε αμέσως το φις από την πρίζα
- Ποτέ μη χρησιμοποιείτε το εργαλείο όταν έχει υποστεί βλάβη το καλώδιο - το καλώδιο θα πρέπει να αντικατασταθεί από έναν εξειδικευμένο τεχνίτη
- Βεβαιωθείτε ότι η τάση που παρεχόμενου ρεύματος είναι ίδια με την τάση που υποδεικνύεται στην πινακίδα δεδομένων του εργαλείου (εργαλεία που φέρουν την ένδειξη 230V ή 240V μπορούν να συνδεθούν επίσης σε πρίζα 220V)
- Αυτό το εργαλείο δεν είναι κατάλληλο για κοπή με νερό
- Αφού κλείσετε το διακόπτη του δισκοπριονίου, ποτέ μην προσπαθήτε να σταματήσετε την περιστροφή του δίσκου κοπής εφαρμόζοντας σε αυτόν μία πλευρική δύναμη
- Μην χρησιμοποιείτε ποτέ δίσκους κοπής από ταχυχάλυβα (HSS)
- Με το εργαλείο ποτέ μην χρησιμοποιείτε δίσκους τροχίσματος/κοπής
- Μην κόβετε υλικό που περιέχει ασβέστιο
- Φοράτε προσωπίδα προστασίας από σκόνη όταν υποβάλλετε σε κατεργασία υλικά που δημιουργούν ανθυγιεινές σκόνες; ενυμερωθείτε εκ των προτέρων σχετικά με τα υλικά που επεξεργάζονται
- Μην επιχειρείτε να κόψετε αντικείμενα πολύ μικρών διαστάσεων
- Αφαιρέστε όλα τα εμπόδια από την γραμμή κοπής, πάνω και κάτω, πριν ξεκινήσετε την κοπή
- Μην εργάζεστε με το εργαλείο κρατώντας το ψηλά πάνω από το κεφάλι σας

- Χρησιμοποιείτε μόνο το τραπέζι εργασίας, που διαθέτει διακόπτη που δεν επιτρέπει την επανεκκίνηση του κινητήρα από διακοπή ρευματος
- Χρησιμοποιείτε μόνο το τραπέζι εργασίας, που διαθέτει καμπύλος οδηγός
- **Πάντα να αποσυνδέεται την πρίζα από το ηλεκτρικό δίκτυο πριν κάνετε κάποια ρύθμιση ή αλλάξετε εξάρτημα**

ΧΕΙΡΙΣΜΟΣ

- Αλλαγή του δίσκου κοπής ③
 - πάρτε το εξάγωνο κλειδί A από τη θήκη του αποθήκευσης B
 - πιέστε το κουμπί ασφάλισης της ατράκτου C και κρατήστε το πατημένο ενώ αφαιρείτε τον κοχλία του δίσκου D γυρίζοντάς τον με το εξάγωνο κλειδί
- ! **πιέζετε το κουμπί ασφάλισης της ατράκτου C μόνο όταν είναι σταματημένο το εργαλείο**
 - αφήστε το κουμπί ασφάλισης της ατράκτου C
 - αφαιρέστε τη φλάντζα E
 - ανοίξτε τον κάτω προφυλακτήρα F χρησιμοποιώντας τον μοχλό G και κρατήστε τον ενώ αλλάζετε τον δίσκο, φροντίζοντας ώστε τα δόντια του δίσκου και το βέλος που είναι τυπωμένο στον δίσκο να δείχνουν προς την ίδια κατεύθυνση όπως το βέλος στον κάτω προφυλακτήρα
 - αφήστε τον κάτω προφυλακτήρα F
 - τοποθετήστε τη φλάντζα E
- ! **βεβαιωθείτε ότι οι επιφάνειες σύσφιξης H της φλάντζας είναι τελείως καθαρές και ότι είναι στραμμένες προς τον δίσκο**
 - πιέστε το κουμπί ασφάλισης της ατράκτου C και κρατήστε το πατημένο ενώ σφίγγετε τον κοχλία του δίσκου γυρίζοντάς τον με το εξάγωνο κλειδί, 1/8 του κύκλου πέρα από το σημείο μέχρι το οποίο σφίγγει με το χέρι (έτσι διασφαλίζεται το γλιστρήμα του δίσκου όταν αντιμετωπίζει υπέρμετρη αντίσταση, αποφεύγοντας με τον τρόπο αυτό την υπερφόρτωση του μοτέρ και το κλότσημα του πριονιού)
 - αφήστε το κουμπί ασφάλισης της ατράκτου C
- Ρύθμιση του βάθους κοπής (0-55 χλστ.) ④
 - για τη βέλτιστη ποιότητα κοπής, ο δίσκος κοπής δεν πρέπει να εξέχει περισσότερο από 3 χλστ. κάτω από το κομμάτι εργασίας
 - ξεσφίξτε το μοχλό J
 - ανασηκώστε/χαμηλώστε το πέλαμα K μέχρι το επιθυμητό βάθος κοπής επιτευχθεί υπό κλίμακα χρησιμοποιώντας τον δείκτη L
 - σφίξτε το μοχλό J
- Ρύθμιση της γωνίας κοπής (0-45°) ⑤
 - ξεσφίξτε την πεταλούδα M
 - περιστρέψτε το εργαλείο μέχρι η επιθυμητή γωνία επιτευχθεί υπό κλίμακα χρησιμοποιώντας τον δείκτη N
 - σφίξτε την πεταλούδα M
- ! **στην πλαγιοκοπή, το βάθος κοπής δεν ανταποκρίνεται στην ένδειξη υπό κλίμακα του βάθους κοπής**

- Ελέγχος γωνίας κοπής 90° ⑤
 - ρυθμίστε και σφίξτε το πέλμα Κ στο μέγιστο βάθος κοπής ④
 - ρυθμίστε και σφίξτε τη ρύθμιση γωνίας στις 0°
 - ελέγξτε για γωνία 90° μεταξύ δίσκου και πέλματος με ένα τετράγωνο
- Ρυθμιζόμενος αλεξήλιος τζαμιός για τη γραμμική κοπή P ⑥a
 - ώστε να κατευθύνεται το εργαλείο κατά μήκος της χαραγμένης γραμμής κοπής πάνω στο κομμάτι
 - για ευθεία κοπή 0° ή κλίση 45° χρησιμοποιήστε την δείκτη-γραμμή αυτή

! το φαρδύ μέρος του πέλματος πρέπει να εφάπτεται στο υποστηρίξιμο μέρος του κομματιού

 - μπορεί να ρυθμιστεί, επιτρέποντας στον χρήστη να επιλέξει αν η απώλεια υλικού θα γίνεται στην εσωτερική ή στην εξωτερική πλευρά του δίσκου ⑥b

! το πλάτος κοπής καθορίζεται από το πλάτος των δοντιών και όχι του σώματος του δίσκου

! πάντα κάνετε δοκιμαστικές κοπές για να βρείτε την πραγματική γραμμή κοπής
- Αναρρόφηση σκόνης
 - συνδέστε την ηλεκτρική σας σκούπα στην υποδοχή Q ②

! ποτέ μην αφήσετε τον σωλήνα της ηλεκτρικής σκούπας να εμπλακεί με τον κάτω προφυλακτήρα με τη διαδικασία κοπής

 - μπορείτε να χρησιμοποιήσετε ένα σάκκο συλλογής σκόνης (εξάρτημα SKIL 2610387402)
- Χειρισμός του εργαλείου ②
 - συνδέστε την πρίζα με το δίκτυο ηλ. ρεύματος
 - πάντοτε κρατείστε τη λαβή R σιφχτά και σταθερά με το χέρι και τη λαβή S σιφχτά με το άλλο χέρι
 - τοποθετήστε το εργαλείο με το εμπρός μέρος του πέλματος επίπεδα επανω στο κομμάτι

! βεβαιωθείτε ότι τα δόντια δεν έχουν εμπλακεί με το κομμάτι εργασίας

 - ξεκινάτε το εργαλείο σας πρώτα πιέσσοντας το κουμπί T (= διακόπτης ασφαλείας που δεν μπλοκάρει) και μετά πατήσετε τη σκανδάλη V

! το εργαλείο πρέπει να λειτουργεί με πλήρη ταχύτητα προτού ο δίσκος κοπής εισχωρήσει το υλικό που κόβετε

 - ο κάτω προφυλακτήρας F ανοίγει αυτόματως όταν ο δίσκος κοπής έλθει σε επαφή με το υλικό που κόβετε (ανοίξετε τον προφυλακτήρα με το χέρι σας χρησιμοποιώντας το μοχλό G μόνο για κοπή ειδική όπως είναι η εσωτερική κοπή)
 - μην πιέζετε το εργαλείο σας - εφαρμόστε ελαφρά και συνεχή πίεση
 - αφού ολοκληρώσετε την κοπή, σταματάτε το εργαλείο σας απελευθερώνοντας την σκανδάλη V

! βεβαιωθείτε ότι ο δίσκος κοπής έχει σταματήσει εντελώς, προτού ανασηκώσετε το εργαλείο από το υλικό που κατεργάζεστε

ΟΔΗΓΙΕΣ ΕΦΑΡΜΟΓΗΣ

- Φροντίστε ώστε πάντα η "καλή" πλευρά του κομματιού εργασίας να αντικρύζει προς τα κάτω ώστε να αποφεύγεται το "ξεφτίσμα"
- Χρησιμοποιήστε μόνο δίσκους κοπής που κόβουν καλά και είναι ο σωστός τύπος για τη δουλειά που κάνετε ⑦
 - ο αριθμός δοντιών που διαθέτουν όσο μεγαλύτερος ο αριθμός δοντιών βελτιωμένη ποιότητα κοπής
 - οι δίσκους κοπής με άκρα καρβιδίου παραμένουν κοφτεροί έως και 30 φορές περισσότερο από τους συνήθεις δίσκους κοπής
- Οδηγός παράλληλης κοπής W ⑧
 - για ακριβείς κοπές κατά μήκος του κομματιού κοπής
 - μπορεί να τοποθετηθεί σε κάθε πλευρά του πέλματος

Ρύθμιση του οδηγού παράλληλης κοπής

 - ξεσφίξτε την πεταλούδα X
 - ρυθμίστε το επιθυμητό πλάτος κοπής χρησιμοποιώντας την κλίμακα του οδηγού παράλληλης κοπής (χρησιμοποιήστε το δείκτη γραμμής κοπής P ως σημείο αναφοράς)
 - σφίξτε την πεταλούδα X
- Εσωτερική κοπή ⑨
 - καθορίστε το επιθυμητό βάθος κοπής
 - περιστρέψτε το εργαλείο προς τα εμπρός με τον δείκτη γραμμής κοπής P ευθυγραμμισμένο με την επιθυμητή γραμμή κοπής χαραγμένη πάνω στο κομμάτι
 - ανοίξτε τον κάτω προφυλακτήρα F με το μοχλό G
 - μόλις ο δίσκος κοπής είναι έτοιμος να εισέλθει στο κομμάτι, ξεκινήστε το εργαλείο και σταδιακά χαμηλώστε το πίσω μέρος του εργαλείου, χρησιμοποιώντας το μπροστινό άκρο του πέλματος σαν σταθερό σημείο
 - σταδιακά χαμηλώστε το εργαλείο προς τα κάτω καθώς και προς τα εμπρός
 - μόλις μπει ο δίσκος στο υλικό, αφήστε ελεύθερο το μοχλό G

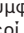
! ποτέ μην τραβήξετε το εργαλείο προς τα πίσω
- Κοπή μεγάλων κομματιών ⑩
 - υποστηρίξτε τα κομμάτια κοπής, τοποθετώντας τα στο πάτωμα, το τραπέζι ή τον πάγκο εργασίας

! ρυθμίστε το βάθος κοπής έτσι ώστε να κόψετε το κομμάτι και όχι την υποστήριξη

 - σε περίπτωση που ο οδηγός παράλληλης κοπής δεν επιτρέπει την κοπή επιθυμητό πλάτος, στερεώστε ή καρφώστε ένα ξύλο πάνω στο κομμάτι ως οδηγός και χρησιμοποιήστε τη δεξιά πλευρά του πέλματος σε σχέση με αυτόν τον οδηγό
- Για περισσότερες συμβουλές δείτε www.skileurope.com

ΕΓΓΥΗΣΗ / ΠΕΡΙΒΑΛΛΟΝ

- Κρατάτε πάντοτε το εργαλείο και το καλώδιο καθαρά (και ιδιαίτερα τις θυρίδες αερισμού)
- ! αφαιρέστε την πρίζα πριν το καθαρίσιμα**

- Καθαρίστε τον δίσκο κοπής αμέσως μετά τη χρήση (κυρίως από κόλλα ή βερνίκια)
- Για αυτό το προϊόν της SKIL παρέχεται εγγύηση σύμφωνα με τις νομικές διατάξεις που ισχύουν στη χώρα σας - βλάβες που οφείλονται σε φυσιολογική φθορά, υπερφόρτιση ή λανθασμένη χρήση δεν καλύπτονται από την εγγύηση
- Αν έχετε κάποιο παράπονο, στείλτε το εργαλείο χωρίς να το αποσυναρμολογήσετε μαζί με την απόδειξη αγοράς στο κατάστημα από το οποίο το αγοράσατε ή στον πλησιέστερο σταθμό τεχνικής εξυπηρέτησης της SKIL (θα βρείτε τις διευθύνσεις και το διάγραμμα συντήρησης του εργαλείου στην ιστοσελίδα www.skileurope.com)
- **Μην πετάτε τα ηλεκτρικά εργαλεία, εξαρτήματα και συσκευασία στον κάδο οικιακών απορριμμάτων** (μόνο για τις χώρες της ΕΕ)
 - σύμφωνα με την ευρωπαϊκή οδηγία 2002/96/ΕΚ περί ηλεκτρικών και ηλεκτρονικών συσκευιών και την ενσωμάτωσή της στο εθνικό δίκαιο, τα ηλεκτρικά εργαλεία πρέπει να συλλέγονται ξεχωριστά και να επιστρέφονται για ανακύκλωση με τρόπο φιλικό προς το περιβάλλον
 - το σύμβολο  θα σας το θυμίζει αυτό όταν έλθει η ώρα να πετάξετε τις

RO

Ferăstrău circular

5855

INTRODUCERE

- Această sculă este destinată tăierilor longitudinale și transversale în lemn atât cu secțiuni drepte cât și cu secțiuni unghiulare la 45°; cu pânze de fierăstrău corespunzătoare se pot tăia, de asemenea, metale neferoase, materiale ușoare de construcții și mase plastice
- Citiți și păstrați acest manual de instrucțiuni

SPECIFICAȚII TEHNICE

PROTECȚIE

INSTRUCIUNI DE PROTECȚIE GENERALE

ATENȚIE! Citiți toate instrucțiunile. Nerespectarea următoarelor instrucțiuni referitoare la securitatea și protecția muncii ar putea duce la electrocutare, incendii și/sau răni grave. Termenul de "sculă electrică" folosit în instrucțiunile următoare se referă la scule electrice racordate la rețeaua electrică (prin cordon de alimentare). **RESPECTAȚI CU GRIJĂ ACESTE INSTRUCȚIUNI.**

1) LOCUL DE MUNCĂ

- Păstrați-vă locul de muncă curat și bine iluminat.** Dezordinea la locul de muncă și existența unor sectoare de lucru neiluminate poate duce la accidente.
- Nu folosiți mașina în medii cu pericol de explozie, acolo unde există lichide, gaze sau pulberi inflamabile.** Sculele electrice pot produce scânteii care să aprindă pulberile sau vaporii.

- Nu permiteți accesul copiilor și al altor persoane în timpul lucrului cu mașina.** Dacă vi se distrage atenția puteți pierde controlul asupra mașinii.

2) SECURITATE ELECTRICĂ

- Ștecherul de racordare a mașinii trebuie să se potrivească cu priza de alimentare. Nu este permisă în nici-un caz modificarea ștecherului. Nu folosiți adaptoare pentru ștechere la pământ.** Ștecherele nemodificate și prizele de curent adecvate acestora reduc riscul de electrocutare.
- Evitați contactul corporal cu suprafețe legate la pământ ca țevi, radiatoare, plite electrice și frigider.** Există un risc crescut de electrocutare atunci când corpul dv. este și el legat la pământ.
- Nu lăsați mașina afară în ploaie sau în mediu umed.** Riscul de electrocutare crește atunci când într-o sculă electrică pătrunde apă.
- Nu trageți niciodată mașina de cordonul de alimentare pentru a o transporta, a o atârna sau a scoate ștecherul din priza de curent. Feriți cordonul de alimentare de căldură, ulei, muchii ascuțite sau de subsansamble aflate în mișcare.** Un cordon de alimentare deteriorat sau înfășurat mărește riscul de electrocutare.
- Atunci când lucrați cu scula electrică în aer liber, folosiți numai cordoane prelungitoare autorizate pentru exterior.** Întrebuințarea unui cordon prelungitor adecvat utilizării în aer liber reduce riscul de electrocutare.

3) SECURITATEA PERSOANELOR

- Fiți vigilenți, fiți atenți la ceea ce faceți și procedați rațional atunci când lucrați cu scula electrică. Nu folosiți mașina dacă sunteți obosiți sau vă aflați sub influența drogurilor, alcoolului sau a medicamentelor.** Un moment de neatenție în timpul lucrului cu mașina poate duce la răni grave.
- Purtați echipament de protecție personală și întotdeauna ochelari de protecție.** Folosirea echipamentelor de protecție a persoanei ca mască de protecție împotriva prafului, încălțăminte antiderapantă, cască de protecție sau aparat de protecție auditivă, în funcție de tipul și domeniul de folosire al sculei electrice, reduce riscul rănilor.
- Evitați pomirea involuntară a mașinii. Înainte de a introduce ștecherul în priza de curent, asigurați-vă că întrerupătorul mașinii se află în poziția „OPRIT”.** Transportarea mașini cu butonul întrerupător apăsat sau introducerea ștecherului în priza de curent cu mașina pornită poate duce la accidente.
- Înainte de a pune mașina în funcțiune scoateți afară cheile reglabile și fixe.** O cheie reglabilă sau fixă, aflată într-o componentă de mașină care se rotește, poate provoca răni.
- Nu vă supraapreciați. Asigurați-vă o poziție stabilă și păstrați-vă întotdeauna echilibrul.** Astfel veți putea controla mai bine mașina în situații neașteptate.
- Purtați îmbrăcăminte de lucru adecvată. Nu purtați haine largi sau podoabe. Țineți părul, îmbrăcămintea și mănușile departe de componente aflate în mișcare.** Îmbrăcămintea largă, podoabele și părul lung pot fi prinse de piesele aflate în mișcare.

g) Dacă există posibilitatea montării de echipamente și instalații de aspirare și colectare a prafului, asigurați-vă că acestea sunt conectate și folosite corect. Folosirea acestor echipamente reduce efectele dăunătoare legate de acumularea prafului.

4) MANEVRAȚI ȘI FOLOȘIȚI CU GRIJĂ SCULELE ELECTRICE

- a) Nu suprasolicitați mașina. Folosiți scula electrică destinată executării lucrării dumneavoastră. Cu scula electrică potrivită lucrați mai bine și mai sigur în domeniul de putere specificat.
 - b) Nu folosiți scula electrică dacă are întrerupătorul defect. O sculă electrică, care nu mai poate fi pornită sau oprită este periculoasă și trebuie reparată.
 - c) Scoateți ștecherul din priză de curent înainte de a executa reglaje la mașină, înainte de înlocuirea accesoriilor sau de a depozita mașina. Această măsură preventivă reduce riscul unei porniri involuntare a mașinii.
 - d) În caz de nefolosire păstrați mașinile la loc inaccessibil copiilor. Nu permiteți persoanelor care nu sunt familiarizate cu mașina sau care n-au citit prezentele instrucțiuni, să folosească mașina. Sculele electrice sunt periculoase atunci când sunt folosite de persoane fără experiență.
 - e) Întrețineți-vă cu grijă mașina. Controlați dacă componentele mobile funcționează corect și dacă nu se blochează, dacă nu există piese defecte sau deteriorate, care să afecteze funcționarea mașinii. Înainte de a repune în funcțiune mașina, duceți-o la un atelier de asistență service pentru repararea sau înlocuirea pieselor deteriorate. Multe accidente s-au datorat întreținerii defectuoase a sculelor electrice.
 - f) Păstrați accesoriile bine ascuțite și curate. Accesoriile atent întreținute, cu muchii tăietoare bine ascuțite se blochează mai greu și pot fi conduse mai ușor.
 - g) Folosiți sculele electrice, accesoriile, dispozitivele de lucru etc. conform prezentelor instrucțiuni și așa cum este specificat pentru acest tip de mașină. Țineți seama de condițiile de lucru și de lucrarea care trebuie executată. Întrebuițarea unor scule electrice destinate altor utilizări decât cele preconizate, poate duce la situații periculoase.
- #### 5) SERVICE
- a) Permiteți repararea mașinii dumneavoastră numai de către un specialist calificat și numai cu piese de schimb originale. În acest mod este garantată menținerea siguranței de exploatare a mașinii.

INSTRUCȚIUNI DE PROTECȚIE PENTRU FERĂSTRĂUL CIRCULAR

PERICOL

- Țineți mâinile departe de suprafața de tăiere și de pânza ferăstrăului; cu o mână țineți ferăstrăul și cu cealaltă mână țineți mânerul din față (dacă țineți cu amândouă mâinile ferăstrăul ele nu pot fi tăiate de pânza acestuia)
- Nu atingeți piesa de prelucrat dedesubt (dispozitivul de protecție nu vă poate apăra împotriva pânzei de ferăstrău în partea de jos a piesei de prelucrat)

- Ajustați adâncimea de tăiere funcție de grosimea piesei pe care vreți să o prelucrați (maximum lungimea unui dinte al pânzei de ferăstrău vizibil în afara piesa de prelucrat)
- Nu țineți niciodată piesa de prelucrat în mâinile sau pe picioarele dvs (este important să lucrați într-un mod adecvat pentru a micșora la minimum expunerea corpului dvs, griparea pânzei sau pierderea controlului)
- Țineți mâinile pe suprafețele izolate ale mânerului atunci când are loc o operație de tăiere în care scula va putea atinge cabluri electrice ascunse/acoperite sau propriul ei cordon (atingerea unui cablu electric „aflat sub tensiune” va determina „punerea sub tensiune” a părților metalice ale sculei și șocul operatorului)
- Atunci când tăiați folosiți întotdeauna o riglă de tăiere sau o riglă de precizie cu muchia de lucru lată (aceasta mărește acuratețea procesului de tăiere și reduce șansa de gripare a pânzei de ferăstrău)
- Totdeauna folosiți pânze de mărime și formă corectă sau orificii ale axului adecvate (romb sau rotund) (pânze care nu sunt potrivite mijloacelor de fixare ale ferăstrăului vor funcționa excentric ducând la pierderea controlului asupra acestuia)
- Nu folosiți niciodată șaibe sau șuruburi deteriorate sau nepotrivite (șabile sau șuruburile pânzei au fost proiectate special pentru ferăstrăul dvs în scopul unei funcționări optime și a unei mânuiri plină de siguranță)

MIȘCAREA BRUSCĂ ÎNAPOI – CAUZE

- Mișcarea bruscă înapoi este o reacție neașteptată la o pânză de ferăstrău blocată, prinsă sau centrată greșit; în cazul acesta ferăstrăul devine necontrolat, se ridică și părăsește piesa de prelucrat îndreptându-se spre operator
- Atunci când pânza ferăstrăului este blocată sau fixată foarte strâns în tăietura de închidere de jos pânza se blochează și datorită forței de reacțiune a motorului ansamblul se mișcă rapid înapoi spre operator
- În cazul în care pânza este răsucită sau centrată greșit în tăietură, dinții muchiei tăietoare din spatele pânzei se pot gripa în suprafața de deasupra a lemnului ducând la ieșirea pânzei din tăietură și mișcarea acesteia înapoi spre operator

MIȘCAREA BRUSCĂ ÎNAPOI - PREVENIREA ACCIDENTELOR OPERATORULUI

Șcarea bruscă înapoi este rezultatul unei folosiri greșite a sculei și/sau a unor procedee sau condiții neadecvate și pot fi evitate prin luarea precauțiilor corespunzătoare descrise mai jos

- Strângeți ferm cu ambele mâini ferăstrăul și poziționați brațele în așa fel încât să puteți rezista forțelor de mișcare bruscă înapoi; poziționați corpul la ambele părți ale pânzei de ferăstrău, dar nu pe aceeași linie cu aceasta (mișcarea bruscă poate cauza deplasarea ferăstrăului înapoi, dar forțele de mișcare bruscă înapoi pot fi controlate de către operator, dacă sunt luate măsuri de precauție adecvate)

- **Atunci când pânza este gripată sau atunci când tăierea este întreruptă dintr-un anumit motiv, întrerupeți declanșatorul și țineți ferăstrăul imobil în material până în momentul în care pânza ferăstrăului se oprește complet; nu încercați niciodată să îndepărtați ferăstrăul din piesa de prelucrat sau să împingeți ferăstrăul înapoi în timp ce pânza este în funcțiune sau după ce a apărut fenomenul de mișcare bruscă înapoi** (investigați și interveniți într-un mod corectiv în scopul îndepărtării cauzei gripării pânzei; evitați tăierea cuielei și șuruburilor)
 - **În momentul în care repuneți în funcțiune un ferăstrău în piesa de prelucrat centrați pânza ferăstrăului în tăietură și verificați dacă dinții ferăstrăului nu sunt anghinați în material** (dacă pânza ferăstrăului este gripată aceasta se va deplasa în sus sau va sări înapoi din piesa de prelucrat în momentul în care ferăstrăul este pus din nou în funcțiune)
 - **Folosiți paneele mari în scopul minimalizării riscului de blocare a pânzei și mișcarea bruscă a acesteia înapoi** (paneelele mari tind să se deformeze sub greutatea lor proprie; la ambele părți trebuie plasate suporturi sub panel, aproape de linia de tăiere și aproape de marginea panelului)
 - **Nu folosiți o pânză tocită sau deteriorată** (seturi de pânze neascuțite sau neadecvate produc o tăietură îngustă determinând o frecare excesivă, griparea pânzei și mișcarea bruscă înapoi)
 - **Adâncimea pânzei și brațele de închidere ale fațetelor reglabile trebuie să fie strânse și protejate înainte de a face tăietura** (dacă reglarea pânzei se schimbă în timpul tăiatului, aceasta va cauza griparea și mișcarea bruscă înapoi a pânzei)
 - **Luați măsuri de protecție suplimentare atunci când faceți o tăietură în adâncime în pereți existenți sau alte suprafețe false** (pânza proeminentă va tăia obiecte care pot cauza o mișcare bruscă înapoi)
- ATENȚIE!**
- **Înainte de orice folosire controlați dacă dispozitivul inferior de protecție este închis corect**
 - **Nu folosiți ferăstrăul în cazul în care dispozitivul inferior de protecție nu se mișcă liber și nu se închide rapid**
 - **Nu fixați sau strângeți niciodată dispozitivul inferior de protecție în poziția deschis**
 - **Dacă ferăstrăul cade întâmplător dispozitivul inferior de protecție va fi îndoit; ridicați dispozitivul de protecție inferior cu ajutorul manetei de repunere în funcțiune și asigurați-vă că acesta se mișcă liber și nu atinge pânza ferăstrăului sau altă parte, în toate unghiurile și adâncimile de tăiere**
 - **Controlați funcționarea arcului dispozitivului inferior de protecție; dacă dispozitivul de protecție și arcul nu funcționează adecvat acestea trebuie reparate înainte de a fi folosite** (dispozitivul de protecție va funcționa necorespunzător în cazul unor părți componente deteriorate, a unor depozite lipicioase sau a creșterii reziduurilor)
 - **Dispozitivul inferior de protecție va fi îndepărtat manual numai în cazul tăieturilor speciale, așa cum sunt tăieturile în adâncime și tăieturile compuse; ridicați dispozitivul de protecție inferior prin tragerea manetei și de îndată ce pânza intră în material dispozitivul inferior de protecție va fi deblocat** (pentru toate celelalte tăieturi cu ferăstrăul, dispozitivul inferior de protecție va funcționa automat)
 - **Totdeauna controlați dacă dispozitivul inferior de protecție acoperă pânza ferăstrăului înainte ca ferăstrăul să fie plasat pe bancul de lucru sau pe planșeu** (o pânză neprotejată care merge în gol va duce la mișcarea ferăstrăului înapoi, tăind tot ceea ce se află în calea lui; fiți conștient de timpul necesar opririi pânzei după ce comutatorul a fost închis)
 - **Evitați deteriorarea care poate fi produsă de șuruburi, cuie și alte elemente din piesa dvs. de prelucrat; scoateți-le înainte de a începe tăierea**
 - **Atunci când puneți scula de o parte, deconectați motorul și asigurați-vă că toate părțile mobile s-au oprit complet**
 - **Folosiți cabluri prelungitoare complet desfășurate și sigure cu capacitatea de 16 Amperi**
 - **În caz de blocare sau de defecțiune electrică sau mecanică, deconectați imediat scula și decuplați cablul**
 - **SKIL se garantează funcționarea perfectă a aparatului numai dacă sunt folosite accesoriile originale**
 - **Folosiți numai accesoriile a căror turație admisă este cel puțin egală cu turația maximă la mers în gol a aparatului**
 - **Nu folosiți niciodată scula fără sistemul original de protecție**
 - **Această sculă nu trebuie utilizată de persoane care nu au împlinit vârsta de 16 ani**
 - **Când este utilizat, nivelul de zgomot poate depăși 85 dB(A); este necesar să purtați echipament de protecție pentru urechi**
 - **În cazul în care cordonul este deteriorat sau sectionat în timpul lucrului, nu atingeți cordonul, dar deconectați imediat de la priză**
 - **Nu folosiți niciodată dispozitivul când cordonul conector este deteriorat; să vă fie schimbat cordonul de o persoană autorizată**
 - **Asigurați-vă că scula are contactul întrerupt atunci când o conectați la priză (aparatele 230 V și 240 V pot fi conectate la rețeaua de 220 V)**
 - **Această sculă nu este potrivită pentru tăiere umedă**
 - **După deconectarea fierăstrăului circular, nu opriți niciodată rotația pânzei de fierăstrău printr-o forță laterală aplicată acesteia**
 - **Nu utilizați niciodată pânze de fierăstrău confecționate din oțel rapid de scule (HSS)**
 - **Nu folosiți niciodată discuri de șlefuire/tăiere cu această sculă**
 - **Nu tăiați materiale care conțin azbest**
 - **Purtați o mască de protecție atunci când lucrați cu materiale producătoare de praf nociv pentru sănătate: înainte de a începe lucrul consultați informațiile asupra materialelor cu care veți lucra**
 - **Nu încercați să tăiați piese de prelucrat extrem de mici**
 - **Îndepărtați toate obstacolele aflate deasupra precum și sub traseul de tăiere înainte de a începe tăierea**

- Nu lucrați cu scula deasupra capului
- Folosiți doar o masă de fierăstrău prevăzută cu un comutator care împiedică repornirea motorului după întreruperea tensiunii
- Folosiți doar o masă de fierăstrău prevăzută cu un ghidajul tăieturii
- **Decuplați întotdeauna ștecherul de la sursa de alimentare înainte de a face o reglare sau o schimbare de accesorii**

UTILIZAREA

- Schimbarea pânzei de fierăstrău ③
 - luați cheia hexagonală A din gazonia B
 - apăsați butonul C de blocare a axului și mențineți butonul apăsat în timp ce îndepărtați cu cheia hexagonală șurubul D al pânzei
 - ! **apăsați butonul C de blocare a axului numai atunci când scula este în poziția de oprire**
 - lăsați liber butonul C de blocare a axului
 - îndepărtați flanșa E
 - desfaceți dispozitivul de protecție inferior F cu ajutorul manetei G și mențineți-l astfel, schimbați pânza de fierăstrău astfel încât dinții pânzei de fierăstrău și săgeata desenată pe pânza de fierăstrău să fie îndreptați în aceeași direcție cu săgeata de pe dispozitivul de protecție inferior
 - lăsați liber dispozitivul de protecție F
 - montați flanșa E
 - ! **asigurați-vă că suprafețele de fixare H ale flanșelor sunt perfect curate și sunt orientate la pânză**
 - apăsați butonul C de blocare a axului și mențineți-l apăsat în timp ce strângeți șurubul pânzei cu cheia hexagonală și întoarceți-l 1/8 cu mâna înapoi (pentru a fi asigurată patinarea pânzei de fierăstrău atunci când aceasta întâmpină rezistență excesivă astfel fiind redusă suprasolicitarea motorului și darea înapoi a pânzei)
 - lăsați liber butonul C de blocare a axului
- Reglarea adâncimii de tăiere (0 - 55 mm) ④
 - pentru o calitate optimă a tăierii pânza de fierăstrău nu trebuie să depășească cu mai mult de 3 mm piesa pe prelucrat
 - deșurubați ajutorul manetei J
 - ridicați/coborâți reazemul K până la adâncimea de tăiere dorită, adâncime care poate fi setată pe o scală cu ajutorul indicatorului L
 - strângeți ajutorul manetei J
- Reglarea unghiului de tăiere (0-45°) ⑤
 - deșurubați butonul M
 - înclinați scula până la unghiul de tăiere dorit care este setat pe scală folosind indicatorul N
 - strângeți butonul M
 - ! **la tăierea oblică, adâncimea de tăiere nu corespunde cu valoarea de pe scala adâncimii de tăiere**
- Verificarea unghiului de tăiere de 90° ⑥
 - reglați și strângeți reazemul K la adâncimea de tăiere maximă ④
 - reglați și strângeți unghiul de tăiere la 0°
 - verificați unghiul de 90° dintre pânză și partea inferioară a reazemului cu un sablon de unghiuri

- Vizor reglabil al liniei de tăiere P ⑥a
 - pentru ghidarea sculei de-a lungul liniei dorite de tăiere marcate pe piesa de prelucrat
 - pentru tăiere dreaptă la 0° sau oblică la 45° folosiți linia indicatoare menționată
 - ! **partea lată a reazemului trebuie să se așeze pe partea sprijinită a piesei de prelucrat**
 - poate fi ajustată în așa fel încât să puteți alege dacă deșeurile materiale vor cădea pe suprafața interioară sau exterioară a pânzei ⑥b
 - ! **lățimea de tăiere este determinată de lățimea danturii pânzei și nu de lățimea corpului pânzei**
 - ! **lățimea de tăiere este determinată de lățimea danturii pânzei și nu de lățimea corpului pânzei**
 - ! **faceți întotdeauna mai întâi tăieri de test pentru verificarea liniei efective de tăiere**
- Absorbția prafului
 - conectați aspiratorul la extensia Q ②
 - ! **nu lăsați niciodată furtunul aspiratorului să stânjenească dispozitivul inferior de protecție sau operația de tăiere**
 - folosiți sacii pentru praf (accesoriul SKIL 2610387402)
- Modul de întreținere a dispozitivului ②
 - cuplați ștecherul la sursa de alimentare
 - întotdeauna țineți ferm cu o mână mânerul R și manevrați ferm mânerul S cu cealaltă mână
 - așezați scula cu partea din față a reazemului direct pe piesa de prelucrat
 - ! **asigurați-vă că dantura fierăstrăului nu este angajată în piesa de prelucrat**
 - conectați scula apăsând prima dată butonul T (= comutator de siguranță care nu poate fi blocat) și apoi trăgând declanșatorul V
 - ! **scula trebuie să funcționeze la turația completă înainte ca pânza să intre în piesa de lucru**
 - dispozitivul inferior de protecție F se deschide automat atunci când pânza fierăstrăului intră în piesa de lucru (pentru tăieri speciale, cum ar fi tăieri de adâncime, deschideți manual dispozitivul inferior de protecție, folosind maneta G)
 - nu forțați scula; aplicați o presiune ușoară și continuați
 - după încheierea tăierii deconectați scula eliberând declanșatorul V
 - ! **asigurați-vă că pânza s-a oprit complet din mișcare înainte de a ridica scula de pe piesa de prelucrat**

RECOMANDĂRI DE APLICARE

- Așezați întotdeauna partea bună a piesei de prelucrat în jos pentru a asigura o împrăștiere minimă a așchiilor
- Folosiți doar pânze ascuțite de tipul corect ⑦
 - calitatea tăierii se îmbunătățește cu numărul de dinți
 - pânzele placate cu carburi rămân ascuțite pe perioade de până la de 30 de ori lungi decât pânzele obișnuite
- Rigid de ghidare pentru caneluri W ⑧
 - pentru realizarea unor tăieturi exacte de-a lungul marginii piesei de prelucrat
 - poate fi introdusă în oricare parte a reazemului

Reglarea riglei de ghidare pentru caneluri

- деşурбаţi бутонul X
- reglaţi la lăţimea dorită de tăiere folosind scala riglei de ghidare pentru caneluri (folosiţi ca referinţă 0 vizor reglabil al liniei de tăiere P)
- strângeţi бутонul X
- Тăierea în адăncиме ⑨
 - setaţi адăнцима доритă де тăiere
 - ѝнцинаţi сцла ѝнаице ку визору реглабил ал линии де тăiere P алинат ку линия доритă де тăiere маркатă пе пиеса де прелуцрат
 - deschideţi dispozitivul inferior de protecţie F cu maneta G
 - chiar ѝнаице ца пънца сă истре ѝн пиеса де прелуцрат, conectaţi сцла şi treptat coborâţi capătul din spate al sculei folosind partea din faţă a reazemului ca punct de basculare
 - treptat, mişcaţi сцла ѝн jos şi ѝнаице
 - де индатă це пънца истре ѝн материал, eliberaţi maneta G
- ! **ну трагеţi нидодатă сцла ѝнапои**
- Тăierea панурилор мари ⑩
 - sprijiniţi панолу апроапе де тăietură fie pe pardoseală, fie pe masă sau pe bancul de lucru
- ! **setaţi адăнцима де тăiere аstelle ѝнцитă сă strâpungeţi панолу şi ну suportul**
- ѝн cazul в care rigla de ghidare pentru caneluri nu permite lăţimea dorită de tăiere, fixaţi sau prindeţi ѝн cuiе о bucată dreaptă de lemn ca ghidaj, şi folosiţi partea dreaptă a reazemului faţă de acest ghidaj
- А се ведеа алте recomandari la www.skileurope.com

GARANȚIE / MEDIUL

- Pastrati aparatul си каблul curat (mai ales gratiile de ventilatie)
- ! **deconectati de la priză ѝнаице де а curăţă**
- Curăţăţi пънца де fierăstrău imediat după utilizare (ѝн special de răşini şi clei)
- Acest aparat SKIL este garantat conform regulamentele pe tari; defectiuni cauzate de uzaj normal, supraîncărcare, citare sau mod de folosire indecvate се ѝнсриу ѝнафара гарантеи
- Нн caz de reclamaţii trimiteţi aparatul ѝн totalitatea lui cu bonul de cumpărare la dealer sau la centrul de service SKIL cel mai aproape (adrese şi diagrame de service се gaseasca la www.skileurope.com)
- **Ну арuncaţi сцлеle electrice, accesoriile sau ambalajele direct la pubelele de gunoi** (numai pentru ţările din Comunitatea Europeană)
 - Directiva Europeană 2002/96/EC face referire la modul de aruncare а echipamentelor electrice şi electronice şi modul de aplicare а normelor ѝн conformitate cu legislaţia naţională; сцлеle electrice ѝн momentul в care au atins un grad avansat de uzură şi trebuie арuncate, ele trebuie colectate separat şi reciclate ѝнtr-un mod ce respectă normele de protecţie а mediului inconjurător
 - simbolul ⑪ vă va atenţiona asupra modului в care се face această aruncare

BG

Ръчен циркуляр

5855

ВЪВЕДЕНИЕ

- Този инструмент е предназначен за надлъжно и напречно рязане на дърво с право рязане, а също и с рязане под ъгъл 45°; с подходящи режещи дискове могат да се режат и цветни метали, леки строителни материали и пластмаса
- Прочетете и съхранявайте това ръководство за експлоатация

ТЕХНИЧЕСКИ СПЕЦИФИКАЦИИ ①

ТЕХНИКА НА БЕЗОПАСНОСТТА

ОБЩИ УКАЗАНИЯ ЗА БЕЗОПАСНА РАБОТА

ВНИМАНИЕ! Прочетете внимателно всички указания. Неспазването на приведените по-долу указания може да доведе до токов удар, пожар и/или тежки травми. Използваният по-долу термин “електроинструмент” се отнася до захранвани от електрическата мрежа електроинструменти (със захранващ кабел). **СЪХРАНЯВАЙТЕ ТЕЗИ УКАЗАНИЯ НА СИГУРНО МЯСТО.**

1) РАБОТНО МЯСТО

- а) **Поддържайте работното си място чисто и подредено.** Безпорядъкът и недостатъчното осветление могат да спомогнат за възникването на трудова злополука.
- б) **Не работете с електроинструмента в среда с повишена опасност от възникване на експлозия, в близост до леснозапалими течности, газове или прахообразни материали.**
По време на работа в електроинструментите се отделят искри, които могат да възпламенят прахообразни материали или пари.
- в) **Дръжте деца и странични лица на безопасно разстояние, докато работите с електроинструмента.**

Ако вниманието Ви бъде отклонено, може да загубите контрола над електроинструмента.

2) БЕЗОПАСНОСТ ПРИ РАБОТА С ЕЛЕКТРИЧЕСКИ ТОК

- а) **Щепселът на електроинструмента трябва да е подходящ за ползвания контакт. В никакъв случай не се допуска изменение на конструкцията на щепсела. Когато работите със занулени електроуреди, не използвайте адаптери за щепсела.**
Ползването на оригинални щепсели и контакти намалява риска от възникване на токов удар.
- б) **Избягвайте допира на тялото Ви до заземени тела, напр. тръби, отоплителни уреди, пещи и хладилници.** Когато тялото Ви е заземено, рискът от възникване на токов удар е по-голям.

- c) **Предпазвайте електроинструмента си от дъжд и влага.** Проникването на вода в електроинструмента повишава опасността от токов удар.
- d) **Не използвайте захранващ кабел за цели, за които той не е предвиден, напр. за да носите електроинструмента за кабела или да извадите щепсела от контакта.** Предпазвайте кабела от нагряване, омасляване, допир до остри ръбове или до подвижни звена на машини. Повредени или усукани кабели увеличават риска от възникване на токов удар.
- e) **Когато работите с електроинструмент навън, използвайте само удължителни кабели, предназначени за работа на открито.** Използването на удължител, предназначен за работа на открито, намалява риска от възникване на токов удар.
- 3) БЕЗОПАСЕН НАЧИН НА РАБОТА**
- a) **Бъдете концентрирани, следете внимателно действията си и постъпвайте предпазливо и разумно.** Не използвайте електроинструмента, когато сте уморени или под влиянието на наркотични вещества, алкохол или упойващи лекарства. Един миг разсеяност при работа с електроинструмент може да има за следствие изключително тежки наранявания.
- b) **Работете с предпазващо работно облекло и винаги с предпазни очила.** Носенето на подходящи за ползвания електроинструмент и извършваната дейност лични предпазни средства, като дихателна маска, здрави плътнотазаторени обувки със стабилен грайфер, защитна каска или шумозаглушители (антифони), намалява риска от възникване на трудова злополука.
- c) **Избягвайте опасността от включване на електроинструмента по невнимание.** Преди да включите щепсела в захранващата мрежа се уверявайте, че пусковият прекъсвач е в положение "изключено". Ако, когато носите електроинструмента, държите пръста си върху пусковия прекъсвач, или ако подавате захранващо напрежение на електроинструмента, когато е включен, съществува опасност от възникване на трудова злополука.
- d) **Преди да включите електроинструмента, се уверявайте, че сте отстранили от него всички помощни инструменти и гаечни ключове.** Помощен инструмент, забравен на въртящо се звено, може да причини травми.
- e) **Не надценявайте възможностите си.** Работете в стабилно положение на тялото и във всеки момент поддържайте равновесие. Така ще можете да контролирате електроинструмента по-добре и по-безопасно, ако възникне неочаквана ситуация.
- f) **Работете с подходящо облекло.** Не работете с широки дрехи или украшения. Дръжте косата си, дрехите и ръкавици на безопасно разстояние от въртящи се звена на електроинструментите. Широките дрехи, украшенията, дългите коси могат да бъдат захванати и увлечени от въртящи се звена.
- g) **Ако е възможно използването на външна аспирационна система, се уверявайте, че тя е включена и функционира изправно.** Използването на аспирационна система намалява рисковете, дължащи се на отделящата се при работа прах.
- 4) ГРИЖЛИВО ОТНОШЕНИЕ КЪМ ЕЛЕКТРОИНСТРУМЕНТИТЕ**
- a) **Не претоварвайте електроинструмента.** Използвайте електроинструментите само съобразно тяхното предназначение. Ще работите по-добре и по-безопасно, когато използвате подходящия електроинструмент в зададения от производителя диапазон на натоварване.
- b) **Не използвайте електроинструмент, чиито пусков прекъсвач е повреден.** Електроинструмент, който не може да бъде изключван и включван по предвидения от производителя начин, е опасен и трябва да бъде ремонтиран.
- c) **Преди да променят настройките на електроинструмента, да заменят работни инструменти и допълнителни приспособления, както и когато продължително време няма да използват електроинструмента, изключвайте щепсела от захранващата мрежа.** Тази мярка премахва опасността от задействане на електроинструмента по невнимание.
- d) **Съхранявайте електроинструментите на места, където не могат да бъдат достигнати от деца.** Не допускайте те да бъдат използвани от лица, които не са запознати с начина на работа с тях и не са прочели тези инструкции. Когато са в ръцете на неопитни потребители, електроинструментите могат да бъдат изключително опасни.
- e) **Поддържайте електроинструментите си грижливо.** Проверявайте дали подвижните звена функционират безукорно, дали не заклинват, дали има счупени или повредени детайли, които нарушават или изменят функциите на електроинструмента. Преди да използвате електроинструмента, се погрижете повредените детайли да бъдат ремонтирани. Много от трудовите злополуки се дължат на недобре поддържани електроинструменти и уреди.
- f) **Поддържайте режещите инструменти винаги добре заточени и чисти.** Добре поддържаните режещи инструменти с остри ръбове оказват по-малко съпротивление и се водят по-леко.
- g) **Използвайте електроинструментите, допълнителните приспособления, работните инструменти и т.н., съобразно инструкциите на производителя.** При това се съобразявайте и с конкретните работни условия, както и с дейности и процедури, евентуално предписани от различни нормативни документи. Използването на електроинструменти за различни от предвидените от производителя приложения повишава опасността от възникване на трудови злополуки.

5) ПОДДЪРЖАНЕ

- a) **Допускайте ремонтът на електроинструментите Ви да се извършва само от квалифицирани специалисти и само с използването на оригинални резервни части.** По този начин се гарантира съхраняване на безопасността на електроинструмента.

УКАЗАНИЯ ЗА БЕЗОПАСНА РАБОТА ЗА РЪЧЕН ЦИРКУЛЯР

ВНИМАНИЕ

- **Дръжте ръцете си далеч от режещия диск; дръжте едната си ръка върху предната ръкохватка** (ако и двете ръце държат инструмента, режещият диск не може да ги засегне)
- **Не посгайте с ръце под обработвания детайл** (предпазителят не може да ви защити от режещия диск под обработвания детайл)
- **Регулирайте дълбочината на рязане според дебелината на материала** (оставете цял зъб да се показва от долната страна на материала)
- **Никога не дръжте обработвания детайл в ръце или върху крака си** (доброто закрепване на обработвания детайл е от голямо значение за свеждане до минимум опасността от подлагане на тялото на нежелани въздействия, заклнинването на режещия диск или загубата на контрол върху инструмента)
- **Дръжте инструмента за изолираните ръкохватки, когато има опасност инструментът да засегне скрити кабели или собствения захранващ шнур** (контактът с кабел под напрежение ще постави под напрежение откритите метални части на инструмента, което може да доведе до удар от електрически ток в тялото на оператора)
- **При надлъжно рязане винаги използвайте предпазител против разкъсване или водач с прав ръб** (това подобрява точността на рязане и понижава опасността от заклнинване на режещия диск)
- **Винаги използвайте дискове с подходящ размер и форма на монтажния отвор (диаманти/кръгли)** (дискове, които не отговарят на монтажните изисквания на инструмента, ще се въртят ексцентрично, предизвиквайки загуба на контрол)
- **Никога не използвайте повредени или изкривени шайби или болтове за прикрепване на режещия диск** (шайбите и болта за прикрепване на диска са специално проектирани за този инструмент с цел максимално добра работа и безопасност)

ОБРАТНИ УДАРИ - ПРИЧИНИ

- Обратният удар е внезапна реакция в резултат на затегнал, притиснат, заклнинен или разцентрован режещ диск, предизвикваща неконтролируемо повдигане на инструмента над обработвания детайл и отскачането му в посока към оператора
- Когато дискът е затегнал или заклнинен поради стесняване на прореза, дискът блокира поради загуба на скорост и реакцията на мотора изтласква инструмента назад към оператора

- Ако дискът се изкриви и разцентрова по време на рязане, зъбът от задната страна на диска може да се забие в горната повърхност на дървото, което предизвиква излизане на диска от прореза и отскачане назад към оператора

ОБРАТНИ УДАРИ - ПРЕДОТВРЯВАНЕ ОТ ОПЕРАТОРА

Обратният удар е резултат от неправилна работа с инструмента и/или неспазване на съответните процедури или условия на работа и може да бъде избегнат, като се вземат предпазните мерки, посочени по-долу

- **Дръжте здраво инструмента с две ръце и заемете такова положение, което да ви осигури устойчивост спрямо силите на обратния удар, застанете така, че тялото ви да бъде от едната страна на режещия диск, но не и в една линия с него** (при обратен удар инструмента може да отскочи назад, но това може да се овладее, ако се вземат необходимите предпазни мерки)
- **При появата на признаци на заклнинване на диска или при прекъсване на работа по някаква причина освободете спусъка и задръжте инструмента неподвижен в материала до пълно спиране на въртенето на режещия диск; не се опитвайте да извадите режещия диск от обработвания материал или да издърпате инструмента назад, докато дискът е в движение – това може да предизвика обратен удар** (проверете и отстранете причините за заклнинване на диска; избягвайте да режете гвоздеи или винтове)
- **При рестартиране на инструмента в обработвания материал центрирайте режещия диск в прореза и проверете дали зъбите на диска не са захванали материала** (при заклнинване на диска той може рязко да излезе от материала при рестартиране на инструмента)
- **Подпирайте широките плоскости, за да избегнете риска от затягане и обратен удар на режещия диск** (големите плоскости обикновено провисват под въздействие на собствената си тежест; от двете им страни се поставят подпори близо до линията на рязане и близо до ръба на плоскостта)
- **Не използвайте затъпен или повреден режещ диск** (незаточените или неправилно поставени дискове правят тесни прорези, което предизвиква прекомерно триене, заклнинване на диска и обратни удари)
- **Лостовете за регулиране на дълбочината и ъгъла на рязане следва да са здраво затегнати преди започване на работа** (ако регулировката на диска се промени по време на рязане, това може да предизвика заклнинване и обратен удар)
- **Работете с повишено внимание при обработка с връзване в съществуващи стени или други слепи участъци** (дискът може да пререже елементи, които да предизвикат обратен удар)

ВНИМАНИЕ!

- **Преди работа проверявайте дали долният предпазител е добре затворен**

- **Не работете с инструмента ако долният предпазител не се движи свободно и не се затваря веднага**
- **Никога не фиксирайте и не заклинвайте долния предпазител в отворено положение**
- Ако инструментът случайно падне, долният предпазител може да се изкриви; вдигнете долния предпазител с помощта на прибиращата дръжка и се уверете, че се движи свободно и не се допира до режещия диск или до други части при всички ъгли и дълбочини на рязане
- **Проверете действието на пружината на долния предпазител; ако предпазителят или пружината не работят както трябва, причината за това трябва да се отстрани преди употреба** (долният предпазител може да работи трудно поради повредени части, замърсяване или натрупване на отпадък)
- **Долният предпазител се прибира ръчно само при специални видове рязане, като обработка с връзване и сложно рязане; вдигнете долния предпазител чрез прибиращата дръжка и веднага щом режещия диск навлезе в материала, освободете долния предпазител** (при всички останали видове рязане долният предпазител работи автоматично)
- **Винаги проверявайте дали долният предпазител покрива режещия диск, преди да оставите инструмента на работната маса или на пода** (въртящият се по инерция незашитен диск предизвиква движение на инструмента назад, като при това свое движение прерязва всичко по пътя си; съобразявайте се с времето, необходимо за окончателно спиране въртенето на диска след изключване)
- Избягвайте повредите, които могат да бъдат причинени от винтове, гвоздеи и други елементи върху обработвания детайл; отстранявайте ги преди започване на рязането
- Преди да приберете инструмента, изключете електродвигателя и се уверете, че всички движещите се части са в пълен покой
- Използвайте напълно размотани и безопасни удължители, предназначени за товар 16 А
- В случай на заяждане или електрическа или механична неизправност незабавно изключете инструмента и извадете щепсела от контакта
- SKIL може да осигури безаварийна работа на електроинструмента само ако се използват оригинални допълнителни приспособления
- Използвайте само принадлежности, чиято допустима скорост на въртене е поголяма или равна на максималната скорост на въртене на празен ход на електроинструмента
- Не използвайте никога инструмента без оригиналната му предпазна система
- Този инструмент не трябва да се използва от хора на възраст под 16 години
- При работа нивото на шума може да надвиши 85 dB(A); носете анттифони

- Ако кабелът се повреди ил среже по време на работа, не го докосвайте, веднага изключете щепсела, никога не използвайте машината с повреден кабел
- Никога не използвайте електроинструмент с повреден кабел; захранващият кабел трябва да бъде подменен с нов от квалифицирано лице
- При включване в контакта, се уверете, че машината е изключена (електроинструменти с номинално напрежение 230V или 240V могат да бъдат включени и към захранване с напрежение 220V)
- Този инструмент не е подходящ за мокро рязане
- След изключване на циркуляра никога не спирайте въртенето на диска чрез прилагане на странична сила върху него
- Никога не използвайте режещи дискове, изработени от бързорезеща стомана (HSS)
- С този инструмент никога не използвайте шлифовачи/режещи дискове
- Не режете материал, който съдържа азбест
- При работата с материали, които образуват прах, опасен за здравето, ползвайте прдпазна маска; информирайт с прдваритлно за матриалит, с които щ работит
- Не правете опити да режете извънредно малки детайли
- Премахнете всички препятствия върху повърхността, а също и под пътя на рязане, преди да започнете рязането
- Не работете с инструмента над глава
- Използвайте само маса за рязане, снабдена с ключ, който не позволява повторен пуск на двигателя след прекъсване на напрежението
- Използвайте само маса за рязане, снабдена с водач на прореза
- **Преди извършването на каквато и да било настройка или смяна на принадлежност винаги изваждайте щепсела от контакта на електрозахранването**

УПОТРЕБА

- Смяна на режещия диск ③
 - вземете шестостенния ключ А от комплекта В
 - натиснете блокиращия въртенето бутон С и го задръжте, за да извадите болта на диска D, като го отвиете в посока на часовниковата стрелка с шестостенен ключ
 - ! **натиснете блокиращия въртенето бутон С само когато инструментът е напълно спрял**
 - освободете блокиращия въртенето бутон С
 - извадете фланеца Е
 - отворете долния предпазител F, като използвате лоста G и го задръжте, докато смените режещия диск, така че режещите зъбци и стрелката върху диска да сочат в същата посока, както и стрелката върху долния предпазител
 - освободете долния предпазител F
 - поставете фланеца Е
 - ! **проверете дали затягащите повърхности Н на фланците са съвършено чисти и с лице към диска**

- натиснете блокиращия въртенето бутон С и задръжте, докато затегнете болта на диска в посока с шестостенен ключ, 1/8 оборота след позицията на ръчно затягане (позволява приплъзване на режещия диск при голямо съпротивление, което намалява претоварването на мотора и силата на обратния удар)
- освободете блокиращия въртенето бутон С
- Регулиране на дълбочината на рязане (0-55 mm) ④
 - за рязане с оптимално качество режещият диск не трябва да се издава на повече от 3 mm отдолу на обработвания детайл
 - разхлабете лостчето J
 - повдигнете/свалете опората К, докато на скалата бъде нагласен дълбочина на рязане, като използвате индикатора L
 - затегнете лостчето J
- Регулиране на ъгъла на рязане (0-45°) ⑤
 - разхлабете копчето M
 - наклонете инструмента, докато на скалата бъде нагласен ъгълът на рязане, като използвате индикатора N
 - затегнете копчето M
- ! **при рязане на скосявания, дълбочината на рязане не съответства на стойността на скалата за дълбочина на рязане**
- Проверка на ъгъл на рязане 90° ⑤
 - настройте и затегнете опората К до максимална дълбочина на рязане ④
 - настройте и затегнете ъгъла на рязане на 0°
 - проверете наличието на 90° ъгъл между режещия диск и долната част на опората с ъгълник
- Регулираем маркер на линията на среза Р ⑥а
 - за водене на инструмента по желаната линия на рязане, отбелязана върху детайла
 - за право рязане под ъгъл 0° или рязане на скосявания под ъгъл 45° използвайте съответната индикаторна линия
- ! **широката част на опората трябва да легне върху поддържаната страна на обработвания детайл**
- може да се регулира, така че да изберете дали отпадъчният материал да бъде от вътрешната или от външната страна на режещия диск ⑥b
- ! **ширината на рязане се определя от ширината на зъбите на диска, а не от ширината на тялото на диска**
- ! **винаги първо извършвайте пробни рязания, за да проверите действителната линия на рязане**
- Прахоулавяне
 - включете прахосмукачката към щуцера Q ②
- ! **внимавайте тръбата на прахосмукачката да не пречи на долния предпазител или на операцията на рязане**
- можете да използвате прахоуловителна торба (допълнително приспособление каталожен № SKIL 2610387402)
- Работа с електроинструмента ②
 - включете щепсела в контакта на електрозахранването

- винаги дръжте дръжката R здраво с една ръка, а дръжката S здраво с другата ръка
- поставете инструмента с предната част на опората плътно върху обработвания детайл
- ! **уверете се, че зъбите на циркуляра не са опрени в обработвания детайл**
- включете инструмента, като първо натиснете копчето Т (= защитен превключвател, който не може да се блокира) а след това дръпнете спусъка V
- ! **преди режещият диск да влезе в детайла, инструментът трябва да работи на пълна скорост**
- долният предпазител F се отваря автоматично, когато режещият диск влезе в обработвания детайл (за специални рязания, например рязане на вътрешни прорези)
- не насилвайте инструмента; приложете лек и непрекъснат натиск
- след завършване на рязането, изключете инструмента чрез освобождаване на спусъка V
- ! **преди да вдигнете инструмента от детайла се уверете, че режещият диск е в пълнен покой**

СЪВЕТИ ПО ПРИЛОЖЕНИЕТО

- Винаги обръщайте добрата страна на обработвания детайл надолу, за да осигурите минимално отцепване на трески
- Използвайте само остри режещи дискове от подходящ тип ⑦
 - качеството на рязане се подобрява при по-голям брой на зъбите
 - режещи дискове с карбиден връх остават остри до 30 пъти по-дълго време от обикновените режещи дискове
- Предпазител против разкъсване W ⑧
 - за извършване на точни рязания по продължение на ръба на детайла
 - може да се поставя и на двете страни на опората
- Настройка на предпазителя против разкъсване
 - разхлабете копчето X
 - регулирайте до желаната ширина на рязане, като използвате скалата на предпазителя против разкъсване (използвайте като нулева отметка маркера на линията на среза Р)
 - затегнете копчето X
- Рязане на вътрешни прорези ⑨
 - задайте желаната дълбочина на рязане
 - наклонете инструмента напред, като маркерът на линията на среза Р се изравни с желаната линия на рязане, начертана върху обработвания детайл
 - отворете долния предпазител F с лостчето G
 - точно преди режещият диск да влезе в обработвания детайл, включете инструмента и постепенно наведете задния край на инструмента, като използвате предния край на опората като точка на въртене
 - постепенно преместете инструмента надолу, а също и напред

- веднага щом режещия диск навлезе в материала, освободете лостчето G
- ! **никога не дърпайте инструмента назад**
- Рязане на големи табла ⑩
 - поставете таблото на стойка близо до мястото на рязане или на пода, масата или тезяха
 - ! **настройте дълбочината на рязане така, че да режете през таблото, а не през стойката**
 - в случай, че предпазителят против разкъсване не позволява желаната ширина на рязане, стегнете или приковете право парче дърво към обработвания детайл като водач и използвайте дясната страна на опората срещу този водач
- За повече полезни указания вж. www.skileurope.com

ГАРАНЦИЯ / ОПАЗВАНЕ НА ОКОЛНАТА СРЕДА

- Поддържайте винаги електроелектроинструмента и захранващия кабел чисти (особено вентилационните отвори)
- ! **преди почистване изключете щепсела**
- Почиствайте режещия диск непосредствено след употреба (особено от смола и лепило)
- Това изделие на SKIL е с гаранция в съответствие със законно установените/специфични за страната правила; гаранцията не се отнася до повреди, дължащи се на нормално износване, претоварване или неправилно боравене с електроинструмента
- В случай на рекламация занесете електроинструмента в неразглобен вид заедно с доказателство за покупката му в търговския обект, откъдето сте го закупили, или в най-близкия сервиз на SKIL (адресите, както и схемата за сервизно обслужване на електроинструмента, можете да намерите на адрес www.skileurope.com)
- **Не извърляйте електроуредите, приспособленията и опаковките заедно с битови отпадъци** (само за страни от ЕС)
 - съобразно Директивата на ЕС 2002/96/EG относно износени електрически и електронни уреди и отразяването ѝ в националното законодателство износените електроуреди следва да се събират отделно и да се предават за рециклиране според изискванията за опазване на околната среда
 - за това указва символът ⑩ тогава когато трябва да бъдат унищожени

SK

Окружна пила

5855

УВОД

- Toto náradie je určené pre pozdĺžne a priečne rezanie dreva priamymi rezmi a tiež rezmi pod uhlami do 45°; s príslušným rezacím kotúčom je možné rezať aj neželezné kovy, ľahké stavebné materiály a plasty
- Prečítajte si návod na použitie a oboznámte sa s bezpečnostnými predpismi v zadnej časti príručky

TECHNICKÉ ÚDAJE ①

BEZPEČNOSTNÉ POKYNY

VŠEOBECNÉ BEZPEČNOSTNÉ POKYNY

DÔLEŽITÉ UPOZORENIE! Prečítajte si všetky pokyny. Chyby pri dodržiavaní nasledujúcich pokynov môžu mať za následok zásah elektrickým prúdom, požiar a/alebo ťažké poranenia. Pojem "elektrické náradie" používaný v nasledujúcom texte sa vzťahuje na ručné elektrické náradie napájané zo siete (prípojnou šnúrou). TIETO POKYNY SPOLAHLIVO USCHOVAJTE.

1) PRACOVISKO

- Udržiavajte svoje pracovisko čisté a upratané.** Neporiadok na pracovisku a neosvetlené časti pracoviska môžu viesť k úrazom.
- Nepracujte elektrickým náradím v prostredí ohrozenom výbuchom, v ktorom sa nachádzajú horľavé kvapaliny, plyny alebo prach.** Elektrické náradie produkuje iskry, ktoré môžu prach alebo pary zapáliť.
- Deti a iné osoby udržiavajte počas práce od ručného elektrického náradia v dostatočnej vzdialenosti.** V prípade odpútania Vašej pozornosti by ste mohli stratiť kontrolu nad náradím.

2) ELEKTRICKÁ BEZPEČNOSŤ

- Zástrčka prívodnej šnúry sa musí hodiť do napájacej zásuvky. Zástrčka sa v žiadnom prípade nesmie meniť. Pri uzemnených spotrebičoch nepoužívajte spolu s nimi žiadne adaptéry.** Nezmenená zástrčka a vhodná zásuvka znižujú riziko zásahu elektrickým prúdom.
- Vyhýbajte sa telesnému kontaktu s povrchovými plochami uzemnených spotrebičov, ako sú elektrické rúry, vyhrievacie telesá, sporáky a chladničky.** Keď je Vaše telo uzemnené, riziko zásahu elektrickým prúdom je vyššie.
- Chráňte ručné elektrické náradie pred dažďom a vlhkom.** Vniknutie vody do ručného elektrického náradia zvyšuje riziko zásahu elektrickým prúdom.
- Nepoužívajte prívodnú šnúru na prenášanie náradia, na jeho vešanie, ani za ňu nevytáhujte zástrčku zo zásuvky. Prívodnú šnúru chráňte pred horúčavou, olejom, ostrými hranami alebo pohybujúcimi sa časťami náradia.** Poškodené alebo zauzlené šnúry zvyšujú riziko zásahu elektrickým prúdom.
- Ak pracujete s ručným elektrickým náradím vonku, používajte len také predlžovacie šnúry, ktoré sú schválené pre používanie vo vonkajších priestoroch.** Používanie predlžovacej šnúry určenej do vonkajšieho prostredia znižuje riziko zásahu elektrickým prúdom.

3) BEZPEČNOSŤ OSÔB

- Buďte pozorní, dávajte pozor na to, čo robíte a k práci s elektrickým náradím pristupujte rozumne. Nepoužívajte elektrické náradie, keď ste unavení alebo keď ste pod vplyvom drog, alkoholu alebo liekov.** Chvíľa nepozornosti pri používaní náradia môže viesť k vážnym poraneniam.

- b) **Noste osobné ochranné pomôcky, ochranný odev a vždy majte nasadené ochranné okuliare.** Nosenie pracovného odevu a používanie ochranných pomôcok ako ochrannej dýchacej masky, bezpečnostných protišmykových topánok, prilby alebo chrániča sluchu, podľa druhu elektrického náradia, znižuje riziko poranenia.
- c) **Zabráňte neúmyselnému zapnutiu elektrického náradia. Skôr ako vložíte zástrčku do zásuvky, presvedčte sa, či je vypínač v polohe vypnuté "VYP".** Ak budete mať počas prenášania elektrického náradia prst na vypínači, alebo ak budete prenášať náradie pripojené na zdroj elektrického prúdu, môže to mať za následok neohodu.
- d) **Skôr ako ručné elektrické náradie zapnete, odstráňte nastavovacie a montážne nástroje.** Nástroj alebo kľúč, ktorý sa nachádza v pohyblivej časti náradia, môže spôsobiť poranenie.
- e) **Neprečuňte sa. Zabezpečte si pevný postoj a neprestajne udržiavajte rovnováhu.** Takto budete môcť ručné elektrické náradie v neočakávaných situáciách lepšie kontrolovať.
- f) **Pri práci noste vhodný pracovný odev. Nenoste široké odevy a nemajte na sebe šperky. Dbajte na to, aby ste mali vlasy, odev a rukavice v dostatočnej vzdialenosti od pohybujúcich sa častí náradia.** Pohybujúce sa časti náradia by mohli zachytiť voľné oblečenie, šperky alebo dlhé vlasy.
- g) **Ak možno namontovať zariadenie na odsávanie alebo zachytávanie prachu, presvedčte sa, či je pripojené a správne používané.** Používanie týchto zariadení znižuje ohrozenie osôb prachom.
- 4) STAROSTLIVÉ ZAOBCHÁDZANIE S ELEKTRICKÝM NÁRADÍM A JEHO POUŽÍVANIE**
- a) **Náradie nepreťažujte. Pre svoju prácu používajte určené elektrické náradie.** Pomocou vhodného ručného elektrického náradia budete môcť v uvedenom rozsahu výkonu pracovať lepšie a bezpečnejšie.
- b) **Nepoužívajte žiadne ručné elektrické náradie, ktoré má pokazený vypínač.** Ručné elektrické náradie, ktoré sa už nedá zapínať alebo vypínať, je nebezpečné a treba ho dať opraviť.
- c) **Skôr ako budete náradie nastavovať alebo meniť príslušenstvo, resp. pred každým odložením náradia vytiahnite zástrčku zo zásuvky.** Toto bezpečnostné opatrenie zabraňuje neúmyselnému spusteniu náradia.
- d) **Nepoužívané ručné elektrické náradie uschovávajú mimo dosahu detí. Nedopusťte, aby ručné elektrické náradie používali osoby, ktoré s ním nie sú dôkladne oboznámené, alebo ktoré si neprečítali tento Návod na používanie.** Ak ručné elektrické náradie používajú neskúsené osoby, stáva sa nebezpečným nástrojom.
- e) **Elektrické náradie starostlivo ošetrte. Skontrolujte, či pohyblivé súčiastky náradia bezchybne fungujú a neblokujú a či nie sú zlomené alebo poškodené niektoré súčiastky, ktoré by mohli negatívne ovplyvniť fungovanie ručného elektrického náradia. Pred použitím ručného elektrického náradia dajte poškodené súčiastky opraviť.** Nejednen úraz bol spôsobený zle udržiavaným náradím.
- f) **Používané nástroje udržiavajte ostré a čisté.** Starostlivo ošetrované nástroje s ostrými reznými hranami sa menej často zablokujú a ich vedenie je podstatne ľahšie.
- g) **Používajte ručné elektrické náradie, príslušenstvo, pracovné nástroje a pod. podľa týchto pokynov a podľa predpisu špeciálne pre tento výrobok. Zohľadnite pritom konkrétne pracovné podmienky a činnosť, ktorú máte vykonať.** Používanie ručného elektrického náradia na iné ako určené účely môže viesť k nebezpečným situáciám.
- 5) SERVIS**
- a) **Ručné elektrické náradie zverte do opravy len kvalifikovanému personálu a používajte len originálne náhradné súčiastky.** Tým sa zabezpečí zachovanie bezpečnosti ručného elektrického náradia.

BEZPEČNOSTNÉ POKYNY PRE OKRUŽNÚ PÍLU

VÝSTRAHA

- **Nedávajte ruky blízko opracovanej plochy a kotúča; držte druhú ruku na prednej rukoväti** (ak obe ruky držia pílu tak Vás kotúč nemôže porezať)
 - **Nepokúste sa chytiť opracovaný predmet zospodu** (ochranný kryt Vás nechráni pred kotúčom pod opracovaným predmetom)
 - **Nastavte hĺbku rezu podľa hrúbky opracúvaného materiálu** (menej ako celý zub pílového kotúča by mal byť viditeľný pod obrábkom)
 - **Nikdy nedrže opracovaný predmet v rukách alebo na nohách** (dôležité je ho pevne pripnúť aby sa telo čo najviac chránilo pred uviaznutím kotúča alebo stratou kontroly)
 - **Drzte nástroj za izolované rukoväte keď robíte niečo kde by sa rezací nástroj mohol dotknúť skrytých elektrických drôtov alebo svojej šnúry** (styk so „živým“ drôtom spôsobí, že aj iné obalené kovové časti sa stanú vodivými a môžu spôsobiť pracovníkovi elektrický šok)
 - **Pri rozrezávaní vždy použite ohradu na rezanie alebo vodičko na rovné pílenie** (rez bude presnejší a je menej pravdepodobné, že sa kotúč zasekne)
 - **Vždy použite kotúče správnej veľkosti a správneho tvaru pre jadrá otvorov (kosoštvorec alebo kruh)** (kotúče, ktoré sa nezhodujú s tvarom pripínacieho zariadenia píly nebudú rezať sústredene a spôsobia stratu kontroly)
 - **Nikdy nepoužívajte poškodené alebo nesprávne podložky alebo skrutky pre kotúče** (podložky a skrutky kotúčov boli zvlášť navrhnuté pre vašu pílu na dosiahnutie optimálneho výkonu a bezpečnej prevádzky)
- SPÄTNÝ NÁRAZ – PRÍČINY**
- Spätný náraz je náhla reakcia ak je kotúč zachytený, uviaznutý alebo nesprávne zoradený, spôsobí, že sa nekontrolovane píla zdvihne z opracovaného predmetu smerom k pracovníkovi
 - Ak kotúč uviazne alebo sa zasekne do zárezu, ak sa zastaví a motor reaguje tak, že sa píla hýbe smerom dozadu k pracovníkovi

- Ak sa kotúč začne skrúcať alebo je nevyrovnaný v reze tak zuby na zadnej strane kotúča sa môžu zaseknúť hlboko do povrchu dreva a kotúč môže potom výst' z vrubu a skočiť dozadu na pracovnú

SPÁTNÝ NÁRAZ – AKO JE MU MOŽNÉ ZABRÁNIŤ

K spätnému nárazu dojde následkom neprávneho použitia nástroja a/alebo neprávnej prevádzky alebo podmienok; spätnému nárazu je možné predísť ak sa dodržia dole uvedené opatrenia

- **Držte pílu pevne oboma rukami a postavte sa telom tak, aby Vaše rameno mohlo odporovať sile spätného nárazu; postavte sa na ktorúkoľvek stranu kotúča, ale nie v tej istej linii ako kotúč** (spätný náraz môže spôsobiť to, že píla náhle vyskočí dozadu, ale pracovník môže kontrolovať silu spätného nárazu ak sa urobia vhodné opatrenia)
- **Ak sa kotúč zasekne alebo ak sa rezanie preruší z akéhokoľvek dôvodu, uvoľnite spúšť a držte pílu bez pohybu v materiáli až kým sa kotúč úplne zastaví; nikdy sa nepokúšajte vybrať pílu z opracovaného predmetu alebo vytiahnuť pílu dozadu kým sa kotúč otáča aby nedošlo k spätnému nárazu** (skontrolujte opracovaný kus a upravte ho aby nedošlo k uviaznutiu kotúča, napr. vyhnite sa prerezaniu skrutiek alebo klincov)
- **Keď znovu začnete píliť opracovaný kus, umiestnite pílový kotúč do vrubu a skontrolujte, či sa zuby píly voľne hýbu v materiáli** (ak kotúč uviazne, môže vyskočiť alebo spôsobiť spätný náraz z opracovaného kusu keď sa píla znovu zapne)
- **Podprite veľké panely aby sa minimalizovalo riziko zaseknutia kotúča a spätného nárazu** (veľké panely sa často ohnú pod vlastnou váhou; obe strany panelu sa musia podoprieť blízko čiar rezu a pri hranách panelu)
- **Nepoužívajte tupé alebo poškodené kotúče** (nenaostrené alebo nesprávne nastavené kotúče vytvoria úzky vrub, spôsobujúci príliš veľké trenie, uviaznutie kotúča a spätný náraz)
- **Zamykajúce páky na nastavenie hábky kotúča a úkosu sa musia tesne pripevniť pred začatím rezania** (ak sa nastavenie kotúča pošmykne počas rezania, môže spôsobiť uviaznutie kotúča a spätný náraz)
- **Dávajte zvlášť pozor ak robíte hlboký otvor do už postavených stien alebo iných slepých povrchov** (vystupujúci kotúč môže rozrezať predmety a spôsobiť spätný náraz)

DÔLEŽITÉ UPOZORENIE!

- **Pred každým použitím skontrolujte, či je kryt správne zavretý**
- **Pílu nezapnite ak sa dolný ochranný kryt voľne nepohybuje a ihneď nezavre**
- **Nikdy nepripevnite alebo nepriviažte dolný ochranný kryt do otvorenej pozície**
- Ak píla náhodou spadne je možné, že sa kryt ohne; zodvihnite kryt so zaťahovacou rukoväťou a skontrolujte, či sa voľne pohybuje a nedotýka sa kotúča alebo inej časti, pri rezaní pod akýmkoľvek uhlom a do akejkoľvek hábky

- **Skontrolujte, či pružina na dolnom ochrannom kryte funguje; ak kryt a pružina nefungujú správne tak sa musia pred použitím opraviť** (dolný ochranný kryt sa možno hýbe pomaly alebo niektoré časti sú poškodené, alebo zašpinené)
- **Dolný ochranný kryt by sa mal dať ručne dole len pre špeciálne rezy, ako napr. zapichovacie a kombinované rezy; zodvihnite dolný ochranný kryt stiahnutím rukoväte a akonáhle sa kotúč dostane do materiálu, kryt sa musí uvoľniť** (pre všetky ostatné pílenia by mal kryt fungovať automaticky)
- **Vždy dajte pozor aby dolný ochranný kryt kryl kotúč prv než položíte pílu na pracovný povrch alebo na zem** (nechránený otáčajúci sa kotúč spôsobí, že sa píla pohne dozadu, bude rezať všetko, čo je jej v ceste, uvedomte si, že chvíľu trvá kým sa kotúč zastaví po vypnutí vypínača)
- Zabráňte poškodeniu, ktoré môžu spôsobiť skrutky, klince alebo iné prvky nachádzajúce sa v opracovávanom predmete; odstráňte ich predtým než začnete rezať
- Keď odkladáte stroj, vypnite motor a skontrolujte, či sa všetky pohyblivé časti úplne zastavili
- Používajte plne rozvinutý a bezpečný predlžovací 16A kábel
- V prípade zaseknutia, mechanickej alebo elektrickej poruchy, okamžite vypnite stroj a odpojte prívodný kábel
- SKIL zabezpečí hladký chod nástroja len ak sa používa pôvodné príslušenstvo
- Používajte iba príslušenstva, u ktorých hodnota prípustných obrátok zodpovedá minimálne najvyšším obrátkam náradia
- Nikdy nepoužívajte stroj bez originálnych ochranných krytov
- Tento stroj nesmie byť používaný osobami mladšími ako 16 rokov
- Hlasitosť zapnutého prístroja môže byť viac aké 85 dB(A); chráňte si uši ochrannými kryciami prostriedkami
- Ak je sieťová šnúra poškodená alebo ak sa prereže počas prevádzky, nedotýkajte sa jej ale ju ihneď odpojte z hlavnej elektrickej siete
- Nikdy nepoužívajte nástroj ak je šnúra poškodená; šnúru musí vymeniť kvalifikovaná osoba
- Vždy skontrolujte či je napätie elektrického prúdu rovnaké ako napätie na štítku nástroja (nástroj s menovaným napätím 230V alebo 240V sa môže napojiť aj na 220V-ový prúd)
- Tento stroj nie je vhodný pre rezanie z mokra
- Po vypnutí kotúčovej píly nikdy nezastavujte otáčajúci sa kotúč silou vyvodenou na jeho bočnú stranu
- Nikdy nepoužívajte pílové kotúče vyrobené z rýchloreznej ocele (HSS)
- Nikdy nepoužívajte brúsne/rezacie kotúče s týmto nástrojom
- Nerežte materiály obsahujúce azbest
- Používajte ochrannú masku proti prachu keď pracujete s materiálmi, ktoré tvoria prach škodiaci zdraviu; zistite dopredu s akými materiálmi budete pracovať
- Nepokúšajte sa rezať veľmi malé kusy

- Predtým než začnete rezať, odstráňte všetky prekážky na vrchnej a spodnej strane reznej dráhy
- Nepracujte so strojom v polohe nad hlavou
- Používajte len rezací stôl vybavený vypínačom zabraňujúcim spusteniu motora po prerušení prívodu elektrickej energie
- Používajte len rezací stôl vybavený vedením rezu
- **Pri nastavovaní alebo výmene príslušenstva vždy vytiahnite prívodný kábel zo zásuvky**

POUŽITIE

- Výmena pílového kotúča ③
 - vyberte šesťhranný kľúč A z púzdra B
 - stisnite tyčinkové zamykajúce tlačítko C a držte ho dole kým točením šesťhranným kľúčom vyberiete skrutku D upevňujúcu kotúč
 - ! **nástroj musí byť vypnutý keď stisnete tlačítko C**
 - uvoľnite tyčinkové zamykajúce tlačítko C
 - dajte dole prstenec E
 - otvorte spodný ochranný kryt F zdvihnutím páky G a držte ho kým vymeníte pílový kotúč; zuby kotúča a dípka na pílovom kotúči musia smerovať tým istým smerom ako dípka na spodnom ochrannom kryte
 - uvoľnite spodný ochranný kryt F
 - namontujte späť prstenec E
 - ! **dajte pozor aby pripevňovacie povrchy H na prstencoch boli dokonale čisté a aby smerovali ku kotúču**
 - stisnite tyčinkové zamykajúce tlačítko C a držte ho dole kým pritiahnete skrutku D upevňujúcu kotúč otočením šesťhranným kľúčom proti smeru hodinových ručičiek o 1/8 otočenia za zatiahnutie prstom (zaistiť drnkávanie kotúča keď narazí na príliš veľký odpor a tak zníži preťaženie motora a spätný náraz píly
 - uvoľnite tyčinkové zamykajúce tlačítko C
- Nastavenie hĺbky rezu (0-55 mm) ④
 - pre optimálnu kvalitu rezu nesmie byť pílový kotúč vysunutý viac ako 3 mm pod opracovávaným predmetom
 - uvoľnite páku J
 - zdvihnite/potlačte základovú dosku K do požadovanej hĺbky podľa stupnice a indikátora L
 - dotiahnite páku J
- Nastavenie uhla rezania (0-45°) ⑤
 - uvoľnite príchytku M
 - natočte stroj do požadovaného uhla podľa stupnice a indikátora N
 - dotiahnite príchytku M
 - ! **pri rezaní pod uhlom nezodpovedá hĺbka rezu hodnote na stupnici pre hĺbku rezu**
- Kontrola uhla rezu 90° ⑥
 - nastavte a dotiahnite základovú dosku K v maximálnej hĺbke rezu ④
 - nastavte a zafixujte uhol rezania 0°
 - skontrolujte uhol 90° medzi kotúčom a spodnou stranou základovej dosky pomocou uholníka
- Nastaviteľná ryska pre sledovanie línie rezu P ⑥a
 - pre vedenie nástroja pozdĺž požadovanej čiary rezu vyznačenej na opracovávanom kuse

- pre priamy rez pod uhlom 0° alebo šikmý rez pod uhlom 45° používajte príslušnú rysku
- ! **široká strana základovej dosky musí ležať na podoprenej strane opracovávaného predmetu**
- je možné nastaviť podľa toho, či si prajete aby odpadový materiál bol na vnútornej alebo vonkajšej strane kotúča ⑥b
- ! **šírka rezu je určená šírkou zubov kotúča a nie šírkou telesa kotúča**
- ! **vždy najskôr vykonajte skúšobný rez na overenie skutočnej čiary rezu**
- Odsávanie triesok
 - na adaptér Q ② nasuňte odsávaciu hadicu
 - ! **nikdy nedovoľte, aby hadica vysávača zasahovala do spodného krytu alebo do priebehu rezania**
 - možno používať aj vrecko na prach (príslušenstvo SKIL 2610387402)
- Prevádzka nástroja ②
 - zapojte prívodný kábel zo zdroja energie
 - vždy pevne držte ruku R jednou rukou a ruku S druhou rukou
 - položte stroj prednou stranou základovej dosky na opracovávaný predmet
 - ! **skontrolujte, či zuby kotúča nezasahujú do opracovávaného predmetu**
 - zapnite stroj tak, že najprv stlačíte tlačidlo T (= bezpečnostný vypínač, ktorý nemôže byť zablokovaný) a potom potiahnete západku V
 - ! **predtým, ako kotúč vnikne do opracovávaného predmetu musí stroj bežať na plné otáčky**
 - spodný kryt F sa otvára automaticky keď pílový kotúč vniká do opracovávaného predmetu (spodný kryt otvárajte manuálne pomocou páky G len pri špeciálnych rezoch, napr. zapichovacích rezoch)
 - netlačte príliš na stroj; vyvíjajte mierny a plynulý tlak
 - po dokončení rezu vypnite stroj uvoľnením západky V
 - ! **predtým ako zdvihnete stroj z opracovávaného predmetu, skontrolujte či je kotúč úplne zastavený**

DOPORUČENIA PRE POUŽÍVANIE

- Vždy otočte čelnú stranu opracovávaného predmetu smerom dole, aby dochádzalo k minimálnemu štiepeniu
- Používajte len ostré kotúče správneho typu ⑦
 - kvalita rezu sa zlepšuje počtom zubov
 - kotúče zo spekaných karbidov zostávajú ostré až 30 krát dlhšie než bežné kotúče
- Vodičko pre pozdĺžne rezanie W ⑧
 - pre presné rezanie pozdĺž okraja opracovávaného predmetu
 - môže byť vložené na obidve strany základovej dosky
- Nastavenie vodička pre pozdĺžne rezanie
 - uvoľnite príchytku X
 - nastavte na požadovanú šírku použitím stupnice vodička (použite rysku rezu P ako nulovú hodnotu)
 - dotiahnite príchytku X
- Zapichovacie rezanie ⑨
 - nastavte požadovanú hĺbku rezu
 - natočte stroj smerom dopredu a nastavte rysku rezu na požadovanú čiaru rezu označenú na opracovávanom predmete

- otvorte spodný kryt F pákou G
 - krátko predtým, ako kotúč vnikne do predmetu, zapnite stroj a postupne spúšťajte zadnú stranu stroja používajúc prednú stranu základovej dosky ako otočný bod
 - postupne spúšťajte stroj smerom dole a tiež smerom dopredu
 - akonáhle sa kotúč dostane do materiálu, uvoľnite páku G
- ! nikdy neľahajte stroj smerom dozadu**
- Rezanie veľkých panelov ⑩
 - podoprite panel v blízkosti rezu, či už na podlahe, stole alebo pracovnom stole
- ! nastavte hĺbku rezu tak, aby ste prerezali panel a nie podporu**
- ak šírka rezu nedovoľuje použiť vodičko pre pozdĺžne rezanie, prichyťte alebo klincami upevnite na panel rovny kus dreva slúžiaci ako vodičko; režeť tak, aby sa pravá strana základovej dosky opierala o toto vodičko
 - Viac rád nájdete na www.skileurope.com

ZÁRUKA / ŽIVOTNÉ PROSTREDIE

- Nástroj a sieťovú šnúru udržiajte stále čisté (zvlášť vetracie štrbiny)
- ! pred čistením odpojte z elektrickej siete**
- Hneď po použití očistite pílový kotúč (obzvlášť od živice a lepidla)
- Tento SKIL výrobok je zaručený v súlade so zákonnými/ pre krajiny špecifickými reguláciami; poškodenie následkom normálneho použitia, pretázenia, alebo nesprávneho zaobchádzania nebude zárukou kryté
- V prípade sťažnosti pošlite nástroj bez rozmontovania spolu s dôkazom o kúpe; vášmu dilerovi alebo do najbližšieho servisného strediska SKIL (zoznam adries servisných stredísk a servisný diagram nástroja sú uvedené na www.skileurope.com)
- **Elektrické náradie, príslušenstva a balenia nevyhadzujte do komunálneho odpadu** (len pre štáty EÚ)
 - podľa európskej smernice 2002/96/EG o nakladaní s použitými elektrickými a elektronickými zariadeniami a zodpovedajúcich ustanovení právnych predpisov jednotlivých krajín sa použité elektrické náradie musí zbierať oddelene od ostatného odpadu a podrobiť ekologicky šetrnej recyklácii
 - pripomenie vám to symbol ⑪, keď ju bude treba likvidovať

HR

Kružna pila

5855

INTRODUCTION

- Ovaj je uređaj predviđen za uzdužno i poprečno rezanje drva, ravno ili pod kutom do 45°; a s odgovarajućim listovima pile mogu se rezati i neželjeni metali, laki građevni materijali i plastika
- Ove upute treba pročitati i sačuvati

TEHNIČKI PODACI ①

OPĆE UPUTE ZA SIGURAN RAD

PAŽNJA! Sve upute treba pročitati. Pogreška kod pridržavanja dolje navedenih uputa može dovesti do električnog udara, požara i/ili teških ozljeda. Dalje korištenje pojma "Električni alat" odnosi se na električne alate s napajanjem iz električne mreže (s priključnim kabelom).

1) RADNO MJESTO

- a) Vaše radno područje održavajte čistim i urednim.**
Nered i neosvijetljeno radno područje mogu dovesti do nezgoda.
- b) S uređajem ne radite u okolini ugroženoj eksplozijom, u kojoj se nalaze zapaljive tekućine, plinovi ili prašina.** Električni alati proizvode iskre koje mogu zapaliti prašinu ili pare.
- c) Djecu i ostale osobe držite dalje tijekom korištenja električnog alata.** Ako bi skrenuli pozornost sa posla mogli bi izgubiti kontrolu nad uređajem.

2) ELEKTRIČNA SIGURNOST

- a) Priključni utikač uređaja treba odgovarati utičnici.** Na utikaču se ni u kojem slučaju ne smiju izvoditi izmjene. Ne koristite adapterske utikače zajedno sa zaštitno uzemljenim uređajima. Originalni utikač i odgovarajuće utičnice smanjuju opasnost od električnog udara.
- b) Izbjegavajte dodir tijela s uzemljenim površinama kao što su cijevi, centralno grijanje, štednjaci i hladnjaci.** Postoji povećana opasnost od električnog udara ako je vaše tijelo uzemljeno.
- c) Držite uređaj dalje od kiše ili vlage.** Prodiranje vode u električni uređaj povećava opasnost od električnog udara.
- d) Priključni kabel ne koristite za nošenje, vješanje ili za izvlačenje utikača iz utičnice. Držite kabel dalje od izvora topline, ulja, oštih rubova ili pomičnih dijelova uređaja.** Oštećen ili usukan kabel povećava opasnost od električnog udara.
- e) Ako s električnim uređajem radite na otvorenom, koristite samo produžni kabel odobren za uporabu na otvorenom.** Primjena produžnog kabela prikladnog za uporabu na otvorenom smanjuje opasnost od električnog udara.

3) SIGURNOST LJUDI

- a) Budite oprezni, pazite što činite i postupajte razumno kod rada s električnim alatom. Ne koristite uređaj ako ste umorni ili pod utjecajem opojnih sredstava, alkohola ili lijekova.** Trenutak nepažnje kod uporabe uređaja može dovesti do ozbiljnih ozljeda.
- b) Nosite sredstva osobne zaštite i uvijek zaštitne naočale.** Nošenje sredstava osobne zaštite, kao što je zaštitna maska, sigurnosne cipele koje ne klize, zaštitne kacige ili štitnika za sluh, ovisno od vrste i primjene električnog alata, smanjuje opasnost od nezgoda.

- c) Izbjegavajte nehotično puštanje u rad. Provjerite da li se prekidač nalazi u položaju 'ISKLJUČENO', prije nego što utikač utaknete u utičnicu. Ako kod nošenja uređaja prst držite na prekidaču ili je uređaj uključen i priključen na električnu mrežu, to može dovesti do nezgoda.
- d) Prije nego što uređaj uključite, uklonite alate za podešavanje ili vijčane ključeve. Alat ili ključ koji se nalazi u rotirajućem dijelu uređaja može dovesti do nezgoda.
- e) Ne precjenjujte svoje sposobnosti. Zauzmite siguran i stabilan položaj tijela i održavajte u svakom trenutku ravnotežu. Na taj način možete uređaj bolje kontrolirati u neočekivanim situacijama.
- f) Nosite prikladnu odjeću. Ne nosite široku odjeću ili nakit. Neka vaša kosa, odjeća i rukavice budu što dalje od pomičnih dijelova. Mlohavu odjeću, nakit ili dugu kosu mogu zahvatiti pomični dijelovi uređaja.
- g) Ako se mogu montirati naprave za usisavanje i hvatanje prašine, provjerite da li su iste priključene i da li se pravilno koriste. Korištenjem ovih naprava smanjuje se ugroženost od prašine.
- 4) BRIŽLJIVO MANIPULIRANJE I UPORABA ELEKTRIČNIH ALATA**
- a) Ne preopterećujte uređaj. Koristite za vaše radove za to predviđeni električni alat. S odgovarajućim električnim alatom radit ćete bolje i sigurnije, u navedenom području učinka.
- b) Ne koristite električni alat čiji je prekidač neispravan. Električni alat koji se više ne može uključiti ili isključiti, opasan je i treba se popraviti.
- c) Izvucite utikač iz utičnice prije nego što pristupite podešavanjima na uređaju, izmjeni pribora ili prije nego što odložite uređaj. Ovim mjerama opreza spriječit će se nehotično pokretanje uređaja.
- d) Nekoristišene električne alate spremite izvan doseg djece. Ne dopustite da uređaj koriste osobe koje s njim nisu upoznate ili koje nisu pročitale upute za uporabu. Električni alati su opasni ako ih koriste neiskusne osobe.
- e) Uređaj održavajte s pažnjom. Kontrolirajte da li pomični dijelovi uređaja besprijekorno rade i da nisu zaglavljivi, te da li su dijelovi polomljeni ili tako oštećeni da negativno djeluju na funkciju uređaja. Popravite oštećene dijelove prije uporabe uređaja. Mnoge nezgode imaju svoj uzrok u loše održanim uređajima.
- f) Rezne alate održavajte ostrim i čistim. Pažljivo održavani rezni alati s ostrim oštricama neće se zaglaviti i lakši su za vođenje.
- g) Koristite električne alate, pribor, radne alate, itd., prema ovim uputama, i onako kako je to propisano za ovaj specijalni tip uređaja. Uzmite kod toga u obzir radne uvjete i izvođene radove. Uporaba električnih alata za neke druge primjene različite od predviđenih, može dovesti do opasnih situacija.
- 5) SERVIS**
- a) Popravak uređaja prepustite samo kvalificiranom stručnom osoblju i samo s originalnim rezervnim dijelovima. Na taj će se način postići održanje stalne sigurnosti uređaja.

UPUTE ZA SIGURAN RAD S KRUŽNOM PILOM

OPASNOST

- Ruke držati dalje od područja rezanja i lista pile; drugu ruku držite na prednjoj ručki (ako se obim rukama drži pila, tada se na njoj ne možete porezati)
- Ne stavljati ruke ispod izratka (štitnik vas ne može zaštititi od lista pile ispod izratka)
- Podesiti dubinu rezanja prema debljini izratka (ispod izratka se mora vidjeti manje od pola visine zuba pile)
- Nikada ne držati izradak koji se pili rukama ili preko nogu (važno je da se izradak pravilno osloni, kako bi se smanjilo izlaganje tijela, ukleštenje lista pile, ili gubitak kontrole)
- Uređaj držati za izolirane površine ručki, ako kod rezanja postoji opasnost da list pile zareže skrivene električne vodove ili vlastiti priključni kabel (kontakt s električnim vodom pod naponom učinit će vodljivim i metalne dijelove uređaja i dovesti do električnog udara osobe koja radi uređajem)
- Uvijek koristiti štitnik ili vodilicu prilikom piljenja (time se povećava točnost (preciznost) reza i smanjuje mogućnost savijanja lista pile)
- Uvijek koristiti listove pile odgovarajuće veličine i točnog oblika otvora za vreteno (listovi pile koji ne odgovaraju steznim površinama uređaja, okretat će se ekscentrično i uzrokovati gubitak kontrole)
- Nikada ne koristiti neispravne ili oštećene podloške ili vijke (podloške i vijci lista pile posebno su izvedeni za vašu pilu, za postizanje optimalnog učinka i sigurnosti rada)

POVRATNI UDAR – UZROCI

- Povratni udar je iznenadna reakcija na uklješten ili smaknut list pile, uzrokujući nekontrolirano izdizanje pile izvan izratka, prema osobi koja pili
- Kada se list pile uklješti ili zaglavi, zbog reakcije motora pile, pila će se odbaciti natrag prema osobi koja pili
- Ako bi se list pile deformirao ili smaknuo u rezu, zubi lista pile bi se mogli ukopati u gornjoj površini drva, uzrokujući odbacivanje pile prema osobi koja pili

POVRATNI UDAR – SPRJEČAVANJE OD STRANE OSOBE KOJA PILI

- Povratni udar je rezultat pogrešnog rada s pilom i/ili neprikladnih radnih postupaka ili stanja i može se izbjeći poduzimanjem odgovarajućih dolje navedenih mjera
- Pilu čvrsto držite s obje ruke i u takvom položaju da se možete oduprijeti povratnom udaru; vaše tijelo držite na bilo kojoj strani lista pile, ali ne u liniji s listom pile (povratni udar može uzrokovati odsakanje pile prema natrag, ali sile povratnog udara može kontrolirati osoba koja pili ako se poduzmu odgovarajuće mjere)
 - Kada se list pile uklješti ili kada iz nekog razloga dođe do isprekidanog rezanja, treba osloboditi prekidač i pilu bez pomicanja držati u rezu materijala, sve dok se list pile potpuno zaustavi; nikada ne pokušavati vaditi list pile iz izratka ili povlačiti pilu prema natrag, dok se list pile kreće ili može doći do povratnog udara (istražiti poduzeti korektivne zahvate kako bi se otklonio uzrok ukleštenja lista pile; izbjegavati rezanje čavala ili vijaka)

- **Kod ponovnog pokretanja pile koja se nalazi u rezu izratka, treba centrirati list pile i provjeriti da zubi pile nisu u zahvatu materijala** (ako je list pile uklješten, on bi mogao odskočiti od izratka kada se pila ponovno pokrene)
- **Velike ploče koje se režu treba osloniti kako bi se izbjeglo uklještenje lista pile i opasnost povratnog udara** (velike ploče sklone su provjesu pod djelovanjem vlastite težine; oslonci se moraju nalaziti ispod ploča na obje strane, blizu linije reza i blizu ruba ploče)
- **Ne koristiti tupe ili oštećene listove pile** (tupi ili neispravni listovi pile mogu uzrokovati prekomjerno trenje, uklještenje pile i povratni udar)
- **Stezne poluge za podešavanje dubine lista pile i skošenja trebaju biti čvrsto stegnute prije rezanja** (ako bi se podešenost lista pile pomakla tijekom rezanja, moglo bi doći do uklještenja i povratnog udara)
- **Postupati izuzetno oprezno kod zarezivanja zidova ili ostalih slijepih mjesta** (list pile koji izađe na drugu stranu mogao bi zarezati objekte, uzrokujući povratni udar)

UPOZORENJE

- **Kontrolirati donji štitnik na ispravno zatvaranje prije svake uporabe**
- **Ne raditi s pilom ako se donji štitnik ne pomiče slobodno i ne zatvara trenutačno**
- **Nikada ne stezati niti vezati donji štitnik u otvorenom položaju**
- Ako bi pila nehotično pala, štitnik bi se mogao savinuti; podići donji štitnik s ručkom i osigurati da se slobodno pomiče i da ne dodiruje list pile ili neki drugi dio, pod svim kutovima i dubinama rezanja
- **Kontrolirati djelovanje opruge donjeg štitnika; ako štitnik i opruga ne djeluju ispravno, trebaju se servisirati prije uporabe** (donji štitnik bi mogao djelovati tromo zbog oštećenih dijelova, naslaga smole ili nakupina prljavštine)
- **Donji štitnik treba uvući ručno samo za specijalne rezove; donji štitnik podići ručkom na uvlačenje i to čim list pile zareže u materijal, donji štitnik mora biti oslobođen** (za sva ostala rezanja donji štitnik treba djelovati automatski)
- **Uvijek paziti da donji štitnik pokriva list pile prije odlaganja pile na stol ili na pod** (nezaštićen list pile može dovesti do ozljeda kod pomicanja pile natrag; treba uzeti u obzir vrijeme zaustavljanja lista pile nakon otpuštanja prekidača)
- Izbjegavajte oštećenja na vijcima, čavlima i sličnim predmetima na vašem izratku; uklonite ih prije rezanja
- Čim se odmaknete od alata trebate ga isključiti, a pomični se dijelovi trebaju potpuno zaustaviti
- Kod korištenja produžnog kabela treba paziti da isti bude potpuno odmotan i da ima kapacitet od 16 A
- U slučaju blokiranja, neuobičajenog ponašanja alata neobičnih šumova, uređaj treba odmah isključiti i izvući utikač iz mrežne utičnice
- SKIL može osigurati nesmetan rad uređaja ako se koristi originalni pribor

- Prije nego što ćete koristiti uređaj, molimo usporedite uvijek max. dopušteni broj okretaja u minuti dotičnog alata s onim za vaš uređaj
- Uređaj nikada ne koristite bez originalne zaštite
- Korisnici ovog uređaja trebaju biti stariji od 16 godina
- Razina buke kod rada može premašiti 85 dB(A); nositi štitičke za sluh
- Ako se tijekom rada priključni kabel ošteti ili odreže, ne dirati priključni kabel, nego odmah izvući mrežni utikač
- Uređaj ne koristiti ako je priključni kabel oštećen; njegovu zamjenu prepustiti kvalificiranom električaru
- Uvijek kontrolirati da li je priključni napon isti kao i napon sa natpisne pločice uređaja (uređaji predviđeni za priključak na 230 V ili 240 V, mogu se također spojiti i na napajanje 220 V)
- Ovaj uređaj nije pogodan za mokro rezanje
- List pile se nakon isključivanja uređaja ne smije kočiti bočnim pritiskom
- Ne dopušta se korištenje listova pile od visokolegiranog brzoreznog čelika (HSS)
- Na ovaj uređaj ne stezati brusne ploče za brušenje i rezanje namijenjene za kutnu brusilicu
- Ne rezati materijale koji sadrže azbest
- Kod rezanja materijala koji intenzivno razvijaju prašinu treba nositi masku za zaštitu od prašine, što je izuzetno važno za zdravlje; prije rezanja se informirajte o materijalima koji će se rezati
- Ne pokušavajte rezati suviše male izratke
- Prije nego što počnete s rezanjem uklonite sve zapreke s gornje kao i donje površine, koje bi se nalazile na liniji rezanja
- S uređajem ne radite iznad glave
- Koristiti samo stol za piljenje opremljen prekidačem koji sprječava pokretanje motora nakon prekida u napajanju
- Uvijek koristiti stol za piljenje opremljen vodilicom
- **Uvijek izvucite mrežni utikač prije bilo kakvih promjena u podešavanju ili kod zamjene nekog pribora**

PRIMJENA

- Zamjena lista pile ③
 - inbus ključ A uzeti iz spremišta B
 - pritisnuti gumb C za blokadu vretena i držati ga pritisnutog dok se list pile skida odvijanjem vijka D s inbus ključem
- ! **gumb C za blokadu vretena pritisnuti samo ako je uređaj u stanju mirovanja**
 - otpustiti gumb C za blokadu vretena
 - skinuti prirubnicu E
 - otvoriti donji štitnik F pomoću poluge G i držati ga tako dok se zamjenjuje list pile, sa zubima lista pile i strelicom otisnutom na listu pile, usmjerenom u istom smjeru kao i strelica na štitniku
 - osloboditi donji štitnik F
 - montirati prirubnicu E
- ! **treba paziti da stezne površine H prirubnice budu besprijekorno čiste i da budu okrenute prema listu pile**

- pritisnuti gumb C za blokadu vretena i držati ga pritisnutog dok se steže vijak lista pile inbus ključem za 1/8 okreta (list pile mora klizati kada naiđe na prekomjerni otpor, smanjujući na taj način preopterećenje motora i mogućnost povratnog udara pile)
- osloboditi gumb C za blokadu vretena
- Namještanje dubine rezanja (0-55 mm) ④
 - za optimalnu kvalitetu rezanja, list pile ne smije stršati više od 3 mm ispod izratka
 - otpustiti polugu J
 - podići/spustiti stopalo K sve dok se tražena dubina rezanja ne namjesti na skali, pomoću pokazivača L
 - stegnuti polugu J
- Namještanje kuta rezanja (0-45°) ⑤
 - otpustiti gumb M
 - električni alat nagnuti dok se ne postigne željeni kut rezanja na skali kuta, prema pokazivaču N
 - stegnuti gumb M
- ! **kod rezanja pod kutom dubina rezanja ne odgovara vrijednosti na skali dubine rezanja**
- Kontrola kuta rezanja pod 90° ⑤
 - podesiti i stegnuti stopalo K na max. dubinu rezanja ④
 - podesiti i stegnuti kut rezanja na 0°
 - pomoću kutomjera kontrolirati kut 90° između lista pile i dna stopala
- Podesivi vizir linije rezanja P ⑥a
 - za precizno vođenje uređaja uzduž linije rezanja povučene na izratku
 - za ravno rezanje pod 0° ili koso rezanje pod 45°, koristiti odgovarajuću liniju pokazivača
- ! **veći dio stopala treba nalijegati na oslonjeni dio izratka**
- može se podesiti, kako bi vam se omogućilo biranje da li se otpadni materijal nalazi na unutarnjoj ili vanjskoj strani lista pile ⑥b
- ! **širina rezanja se utvrđuje širinom zuba pile, a ne debljinom lista pile**
- ! **uvijek najprije izvoditi probne rezove, kako bi se provjerila stvarna linija rezanja**
- Usisavanje prašine
 - priključiti usisavač na nastavak Q ②
- ! **paziti da crijevo usisavača prašine ne zatvori otvor donjeg štitnika lista ili da ne naruši rad rezanja**
- može se također koristiti vrećica za prašinu (SKIL pribor 2610387402)
- Rad uređaja ②
 - mrežni utikač priključiti na utičnicu
 - uvijek čvrsto držati ručku R s jednom rukom, a ručku S čvrsto držati drugom rukom
 - uređaj s prednjom stranom podnožja plošno pozicionirati na izratku
- ! **osigurati da se zubi lista pile ne uklone u izratku**
- uključiti uređaj prvo pritiskom palcem na gumb T (= sigurnosni prekidač koji se ne može zatvoriti) i zatim povući okidač V
- ! **pila treba postići maksimalni broj okretaja prije nego što list pile zarezje izradak**


- donji štitnik lista F se otvara automatski kada list pile zarezje u izradak (donji štitnik lista otvoriti ručno pomoću poluge G samo za specijalne rezove, kao što je zarezivanje)
- ne preopterećujte uređaj; pazite na lagan i stalan pritisak
- nakon završenog rezanja uređaj isključiti otpuštanjem okidača V
- ! **list pile se mora potpuno zaustaviti prije nego što se električni alat ukloni sa izratka**

SAVJETI ZA PRIMJENU

- Dobru stranu izratka položiti okrenutu prema dolje, kako bi se na najveću mjeru ograničilo stvaranje iveraka
- Koristite samo oštre listove pile odgovarajućeg tipa ⑦
 - kvaliteta reza povećava se sa brojem zubaca
 - listovi pile s reznim pločicama od tvrdog metala imaju do 30 puta dulji vijek trajanja od klasičnih listova pile
- Bočni graničnik W ⑧
 - za točne paralelne rezove prema rubu izratka
 - mogu se obostrano ugraditi u stopalo
- Namještanje bočnog graničnika
 - otpustiti gumb X
 - namjestiti na željenu širinu rezanja, prema skali bočnog graničnika (vizir linije rezanja P koristiti kao 0-referencu)
 - stegnuti gumb X
- Umetnuti rez ⑨
 - namjestiti željenu dubinu rezanja
 - uređaj nagnuti prema naprijed, s vizirom linije rezanja P usmjerenim na liniju rezanja povučenu na izratku
 - otvoriti donji štitnik F lista s polugom G
 - neposredno prije zarezivanja lista pile u izradak, uključiti uređaj i i polako spustiti stražnji dio uređaja uz primjenu prednjeg ruba podnožja kao točke nalijeganja
 - čim list pile zarezje materijal, otpustiti polugu G
- ! **električni alat nikada ne pomicati prema natrag**
- Rezanje velikih ploča odnosno tabli ⑩
 - ploču osloniti blizu linije rezanja ili na pod, na stol ili radni stol
- ! **dubinu rezanja tako namjestiti da se ploča proreže a da ne zarezje oslonac**
- ukoliko bočni graničnik ne omogućava željenu širinu rezanja, ravnu drvenu letvu stegnuti na izradak ili zabit čavlima, koja služi kao vodilica rezanja i vodi uređaj s desnom stranom podnožja na ovoj letvi za vođenje
- Za više savjeta vidjeti na adresi www.skileurope.com

JAMSTVO/ZAŠTITA OKOLIŠA

- Održavajte čistim uređaj i kabel (posebno otvore za hlađenje)
- ! **prije čišćenja izvući mrežni utikač**
- List pile očistiti neposredno nakon korištenja (npr. od ostataka smole)

- Za ovaj SKIL proizvod daje se jamstvo prema važećim propisima; oštećenja zbog normalnog trošenja, preopterećenja ili nepravilnog rukovanja biti će isključena iz ovog jamstva
- U slučaju reklamacije uređaj treba nerastavljen, zajedno s računom o kupnji poslati u najbližu SKIL servisnu radionicu (adrese servisa, možete naći na adresi www.skileurope.com)
- **Električne alate, pribor i ambalažu ne odlažite zajedno za sa kućnim otpatcima** (samo za EU-države)
 - prema Europskoj direktivi 2002/96/EG o staroj električnoj i elektroničkoj opremi i njenoj primjeni u skladu sa nacionalnim zakonom, istrošeni električni alati moraju se sakupljati odvojeno i odvesti u posebne pogone za reciklažu
 - na to podsjeća simbol  kada se javi potreba za odlaganjem



Kružna testera

5855

UPUTSTVO

- Ovaj električni alat je namenjen za sečenje drveta po dužini i po širini, pravolinijski i pod uglom do 45°; odgovarajućim testerama; mogu da se seku i materijali koje nisu od gvožđa, nego od lake građe i plastike
- Molimo da ovo uputstvo za upotrebu i priložene upute pažljivo pročitate i sačuvate

TEHNIČKI PODACI

BEZBEDNOST

OPŠTA UPUTSTVA O SIGURNOSTI

PAŽNJA! Sva uputstva se moraju pročitati. Greške kod neodržavanja dole navedenih uputstava mogu izazvati električni udar, požar i/ili teške povrede. Dole upotrebljen pojam "Električni alat" odnosi se na električne alate sa pogonom na struju (sa priključnim vodom).

1) RADNO MESTO

- Držite Vaše područje rada čisto i pospremljeno.** Nered i neosvetljena radna područja mogu voditi nesrećama.
- Ne radite sa aparatom u okolini ugroženoj od eksplozija u kojoj se nalaze zapaljive tečnosti, gasovi ili prašine.** Električni alati proizvode varnice, koje mogu zapaliti prašinu ili isparenja.
- Za vreme korišćenja električnog alata držite podalje decu i druge osobe.** Kod skretanja možete izgubiti kontrolu nad aparatom.

2) ELEKTRIČNA SIGURNOST

- Utikač za priključak aparata mora odgovarati utičnoj kutijici. Utikač se nesme nikako menjati. Ne upotrebljavajte adaptere utikača zajedno sa aparatima sa uzemljenom zaštitom.** Ne promenjeni utikači i odgovarajuće utičnice smanjuju rizik od električnog udara.

- Izbegavajte telesni kontakt sa uzemljenim gornjim površinama, kao što su cevi, grejanja, šporeti i rashladni ormani.** Postoji povećani rizik od električnog udara, ako je Vaše telo uzemljeno.
- Držite aparat podalje od kiše ili vlage.** Prodiranje vode u električni aparat povećava rizik od električnog udara.
- Ne koristite kabl da bi aparat nosili, obesili ili ga izvlačili iz utičnice. Držite kabl dalje od vreline, ulja, oštih ivica ili pokretnih delova aparata.** Oštećeni ili zamršeni kablovi povećavaju rizik od električnog udara.
- Ako sa nekim električnim alatom radite u prirodi, upotrebljavajte samo produžne kablove koji su dozvoljeni za spoljno područje.** Upotreba produžnog kabla pogodnog za spoljno područje smanjuje rizik od električnog udara.

3) SIGURNOST OSOBA

- Budite pažljivi, pazite na to, šta radite i idite razumno na posao sa električnim alatom. Ne upotrebljavajte aparat, kada ste umorni ili pod uticajem droga, alkohola ili lekova.** Momenat nepažnje kod upotrebe aparata može voditi do ozbiljnih povreda.
 - Nosite ličnu zaštitnu opremu i uvek zaštitne naočare.** Nošenje lične zaštitne opreme, kao maske za prašinu, sigurnosne cipele koje ne klizaju, zaštitni šlem ili zaštitu za sluh, zavisno od vrste i upotrebe električnog alata, smanjujete rizik od povreda.
 - Izbegavajte nenamerno puštanje u rad. Uverite se da li je prekidač u poziciji "OFF", pre nego što utaknete utikač u utičnicu.** Ako kod nošenja aparata imate prst na prekidaču ili priključujete aparat uključen na snabdevanje strujom, može ovo voditi nesrećama.
 - Uklonite alate za podešavanje ili ključeve za zavrtnje, pre nego što uključite aparat.** Alat ili ključ koji se nalazi u delu aparata koji se okreće, može voditi povredama.
 - Ne precenjujte sebe. Pobrinite se da sigurno stojite i održavajte u svako doba ravnotežu.** Na taj način možete bolje kontrolisati aparat u neočekivanim situacijama.
 - Nosite pogodno odelo. Ne nosite široko odelo ili nakit. Držite kosu, odelo i rukavice podalje od pokretnih delova.** Opušteno odelo, nakit ili duža kosa mogu biti zahvaćeni od rotirajućih delova.
 - Ako se mogu montirati uređaji za usisavanje prašine i uređaji za hvatanje prašine, uverite se da li su priključeni i ispravno koriste.** Korišćenje ovih uređaja smanjuje opasnost od prašine.
- #### 4) BRIŽLJIVO OPHODJENJE I KORIŠĆENJE ELEKTRIČNIH ALATA
- Ne preopterećujte aparat. Upotrebljavajte za Vaš posao električni alat odredjen za to.** Sa odgovarajućim električnim alatom radićete bolje i sigurnije u navedenom području rada.
 - Ne upotrebljavajte električni alat, čiji je prekidač u kvaru.** Električni alat koji više ne može da se uključi ili isključiti je opasan i mora da se popravi.
 - Izvučite utikač iz utičnice pre nego što preduzmete podešavanje aparata, promenu delova pribora ili ostavite aparat.** Ova mera opreza sprečava nenamernan start aparata.

- d) Čuvajte nekorišćene električne alate izvan domašaja dece. Ne dopustite osobama da koriste aparat, koje ga ne poznaju ili nisu pročitali ova uputstva. Električni alati su opasni, ako ih koriste neiskusne osobe.
- e) Održavajte aparat brižljivo. Kontrolišite, da li pokretni delovi aparata funkcionišu besprekorno i ne slepljuju, da li su delovi slomljeni ili tako oštećeni, da je funkcija aparata oštećena. Popravite oštećene delove pre upotrebe aparata. Mnoge nesreće imaju svoj uzrok u loše održavanim električnim alatima.
- f) Držite alate za sečenja oštre i čiste. Brižljivo negovani alati za sečenje sa oštrim sečivima manje slepljuju i lakše se vode.
- g) Upotrebljavajte električne alate, pribor, alate koji seumeću itd. prema ovim uputstvima i to tako kako je propisano za ovaj specijalan tip aparata. Obratite pažnju pritom na uputstva za rad i posao koji treba izvesti. Upotreba električnih alata za druge od propisanih namena može voditi opasnim situacijama.
- 5) SERVIS
- a) Neka Vam Vaš aparat popravlja samo kvalifikovano stručno osoblje i samo sa originalnim rezervnim delovima. Na taj način se obezbeđuje da ostane sačuvana sigurnost aparata.

UPUTSTVA ZA BEZBEDAN RAD SA KRUŽNOM TESTEROM

OPASNOST

- Ruke držite podalje od područja sečenja i sečiva; drugu ruku držite na prednjoj ručici (ako testeru držite obema rukama, sečivo ne može da ih povredi)
- Nemojte da posežete ispod područja rada (zaštitni mehanizam ne može da vas štiti od sečiva ispod područja rada)
- Dubinu sečenja podesite na debljinu područja rada (ispod područja rada treba da se vidi manje od celog zupca sečiva)
- Deo koji se seče nikada nemojte da držite u rukama ili na nogama (ispravno rukovanje je veoma važno da bi se smanjila izloženost tela opasnostima, povezivanje sečiva ili gubitak kontrole)
- Ukoliko alat pri radu može da dođe u kontakt sa skrivenim žicama ili svojim kablom, držite ga na izolovanim stabilnim površinama (kontakt sa žicom pod naponom će učiniti i metalne delove električnog alata pod naponom i izazvati strujni udar)
- Pri sečenju uvek koristite zaštitnu ogradu ili mehanizam za zaštitu ravne ivice (tako ćete poboljšati preciznost sečenja i smanjiti rizik od povezivanja sečiva)
- Uvek koristite sečiva odgovarajuće veličine i oblika za rupe vretena (oblik dijamanta ili okrugli) (sečiva koja se ne podudaraju sa hardverom za postavljanje testere će se nepravilno pokretati i prouzrokovati gubitak kontrole)
- Nemojte nikada da koristite oštećene ili neispravne zaptivače ili reze za sečivo (zaptivači i reze za sečivo su posebno dizajnirani za vašu testeru, radi optimalnih performansi i bezbednosti pri rukovanju)

TRZANJE - UZROCI

- Trzanje predstavlja iznenadnu reakciju na probijanje, udaranje ili loše poravnato sečivo testere, koje izaziva nekontrolisano pomeranje testere sa područja rada i podizanje ka operateru
- Kada se sečivo probije ili snažno udari prilikom zatvaranja reza, sečivo se zaustavlja i motor ubrzano vodi jedinicu ka operateru
- Ako se sečivo uvrne ili nije poravnato sa površinom koja se seče, zupci na stražnjoj ivici sečiva mogu da se zabiju u gornju površinu drveta i da izazovu dizanje sečiva iz reza i iskakanje ka operateru

TRZANJE - MERE PREDOSTOŽNOSTI KOJE PREDUZIMA OPERATER

Trzanje nastaje kao rezultat neispravnog rukovanja i/ili nepravilnih procedura u radu ili uslova i može da se izbegne preduzimanjem odgovarajućih mera predostrožnosti koje su dole navedene

- Snažno držite ručku na tasteri obema rukama i postavite ruke tako da možete da izdržite trzanje; telo treba da bude sa jedne strane sečiva, a ne u liniji sa sečivom (trzaj može da prouzrokuje da testera odskoči unazad, ali silinu trzaja operater može da kontroliše ukoliko su preduzete ispravne mere predostrožnosti)
- Kada sečivo udari ili ako dođe do prekida sečenja iz bilo kog razloga, otpustite obarač i držite nepokretnu testeru u materijalu sve dok se sečivo savsime ne zaustavi; nikada ne pokušavajte da uklonite testeru sa područja rada ili da povučete testeru unazad kada je sečivo u pokretu ili kada dolazi do trzaja (istražite i preduzimajte određene akcije za popravljanje, da biste eliminisali uzroke udaranja sečiva; izbegavajte sečenje eksera i šrafova)
- Kada ponovo pokrećete testeru koja se nalazi na području rada, centrirajte testeru u rez i uverite se da se zupci testere ne nalaze u materijalu (ako sečivo udara, može da dođe do iskakanja iz područja rada ili trzaja kada se testera ponovo pokrene)
- Ispod velikih ploča stavite podupirač, da biste smanjili rizik od probijanja sečiva i trzaja (velike ploče imaju tendenciju da se ugibaju pod sopstvenom težinom; podupirač mora da se stavi ispod ploče sa obe strane, blizu linije sečenja i blizu ivice ploče)
- Nemojte da koristite tupo ili oštećeno sečivo (nenaoštrina ili nepravilno postavljena sečiva mogu da dovedu do uskog reza i prouzrokovati prekomerno trenje, udaranje sečiva ili trzanje)
- Ručice za zaključavanje dubine sečenja i podešavanje kosine moraju da budu čvrste i osigurane pre početka sečenja (ako se podešavanje za sečivo promeni tokom sečenja, može da dođe do udaranja i trzaja)
- Budite posebno obazrivi pri pravljenju uronjenog reza na postojećim zidovima ili drugim područjima koja ne možete da vidite (izbočeno sečivo može da iseče predmete koji izazivaju trzaje)

UPOZORENJE

- **Pre svake upotrebe proverite da li je donji zaštitni mehanizam ispravno zatvoren**
- **Nemojte da započinjete rad sa testerom ako se donji zaštitni mehanizam slobodno ne pomera i odmah ne zatvara**
- **Nemojte nikada da stavljate sponu ili povezujete donji zaštitni mehanizam u otvoreni položaj**
- Ako se testera slučajno ispusti, donji zaštitni mehanizam mora da se savije; podignite donji zaštitni mehanizam sa ručicom za uvlačenje i proverite da li se slobodno pomera i ne dodiruje sečivo ili bilo koji deo, pod svim uglovima i u svim dubinama sečenja
- **Proverite oprugu donjeg zaštitnog mehanizma; ako zaštitni mehanizam i opruga ne funkcionišu ispravno, moraju da se servisiraju pre upotrebe** (donji zaštitni mehanizam će možda funkcionisati sporo zbog oštećenih delova, naslaga gume ili povećanja krhotina)
- **Donji zaštitni mehanizam treba ručno da se uvuče samo za posebne vrste sečenja, na primer za uronjeno i složeno sečenje; podignite donji zaštitni mehanizam povlačenjem ručice i čim sečivo dodirne materijal, donji zaštitni mehanizam mora da se otpusti** (za sve ostale vrste sečenja donji zaštitni mehanizam se automatski pokreće)
- **Uvek proverite da li donji zaštitni mehanizam prekriva sečivo pre nego što spustite testeru na klupu ili pod** (nezaštićeno, rotirajuće sečivo može da prouzrokuje da se testera pokreće unazad i da iseče sve što joj se nađe na putu; obratite pažnju na vreme potrebno da se sečivo zaustavi nakon što se prekidač otpusti)
- Izbegavajte oštećenja koja mogu da izazovu šrafovi, ekseri i drugi elementi sa vašeg područja rada; uklonite ih pre nego što započnete sečenje
- Čim se odaljite od Vašeg aparata, treba da ga isključite i ti delovi alata koji se pomeraju treba da se potpuno zaustave
- Ako koristite produžni kabl treba da pazite da kabl bude potpuno odvijan i da ima minimalni kapacitet od 16A
- U slučaju atipičnog ponašanja ili nepoznatih zvukova odmah isključite alat i izvucite prekidač iz struje
- Koristite originalni pribor koji se može nabaviti kod naših generalnih zastupnika ili u ovlašćenim SKIL radionicama, jer samo tako SKIL može garantovati besprekorno funkcionisanje alata
- Koristite samo pribor čija je dozvoljena brzina u najmanju ruku jednaka najvećoj brzini pri praznom hodu električnog alata
- Nemojte nikada da koristite električni alat bez originalnog sistema za zaštitu
- Korisnik ovog alata treba da bude stariji od 16 godina
- Nivo buke pri radu može doseći 85 dB(A); zaštitite uši
- Izbegnite pri bušenju ili uvrtanju šrafova dodir sa električnim vodovima
- Ako se kabl ošteti tokom rada, nemojte ga dodirivati već odmah izvucite kabl iz struje
- Nemojte koristiti alat ako je oštećen kabl već ga odnesite u servis gde će stručno biti zamenjen

- Uvek proveravajte da li se napon struje poklapa sa naponom navedenim na samom alatu (alati na kojima je naveden napon od 230V ili 240V mogu da rade i na 220V)
- Ovaj alat nije podesan za vlažno sečenje
- Nakon isključivanja kružne testere, nemojte nikada da zaustavljate obrtanje sečiva testere primenom bočne sile
- Nemojte nikada da koristite kružne testere napravljene od HSS čelika
- Uz ovaj električni alat nikad nemojte da koristite diskove za oštrenje/sečenje
- Nemojte da sečete materijale koji sadrže azbest
- Nosite zaštitnu masku kada radite sa materijalima koji proizvode prašinu štetnu po zdravlje; unapred se informišite o materijalima sa kojima ćete raditi
- Ne pokušavajte da sečete veoma mala područja rada
- Pre nego što započnete sečenje, uklonite sve prepreke na vrhu, kao i ispod putanje sečenja
- Nemojte da radite sa ovim alatom iznad glave
- Koristite samo sto za rad koji je opremljen prekidačem koji sprečava ponovno pokretanje motora nakon prekida napona
- Koristite samo sto za rad koji je opremljen vodičem reza
- **Uvek izvucite kabl iz struje pre nego što počnete da vršite izmene i podešavanja alata i pribora**

UPUTSTVO ZA KORIŠĆENJE

- Zamena sečiva testere ③
 - izvadijte imbus ključ A iz skladišta B
 - pritisnite dugme za zaključavanje vretena C i držite ga pritisnuto dok uklanjate rezu sečiva D sa imbus ključem
- ! **dugme za zaključavanje vretena C pritisnite kada se električni alat sasvim zaustavi**
- otpustite dugme za zaključavanje vretena C
- uklonite štitnik E
- otvorite donji zaštitni mehanizam F korišćenjem ručice G i zadržite je prilikom zamene zupca testere; strelica utisnuta na sečivu mora da bude usmerena isto kao i strelica na donjem zaštitnom mehanizmu
- otpustite donji zaštitni mehanizam F
- postavite štitnik E
- ! **proverite da li su površine sa sponama H štitnika potpuno čiste i okrenite sečivo**
- pritisnite dugme za zaključavanje vretena C i držite ga pritisnuto dok pričvršćujete rezu sečiva pomoću imbus ključa za 1/8 okreta nakon što zategnete prstima (tako se osigurava klizanje sečiva testere kada dođe do prekomernog otpora i zbog toga opterećenja motora i trzanja testere)
- otpustite dugme za zaključavanje vretena C
- Podešavanje dubine sečenja (0-55 mm) ④
 - radi optimalnog kvaliteta sečenja, sečivo testere ne bi trebalo da bude duže od 3 mm ispod područja rada
 - otpustite ručicu J
 - podignite/spustite stopu K dok ne podesite željenu dubinu sečenja na skali korišćenjem indikatora L
 - pričvrstite ručicu J

- Podešavanje ugla sečenja (0-45°) ⑤
 - otpustite dugme M
 - naginjte alat dok ne podesite željeni ugao sečenja korišćenjem indikatora N
 - pričvrstite dugme M
 - ! **pri kosom sečenju, dubina sečenja ne odgovara vrednosti prikazanoj na skali za dubinu sečenja**
- Provera ugla sečenja od 90° ⑤
 - podesite i pričvrstite stopu K na maksimalnu dubinu sečenja ④
 - podesite i pričvrstite ugao sečenja na 0°
 - proverite ugao od 90° između sečiva i dna stope pomoću kvadrata
- Podešavajući vizir za liniju sečenja P ⑥a
 - za vođenje električnog alata duž željene linije označene na području rada
 - za ravno sečenje pod uglom od 0° ili koso sečenje pod uglom od 45° koristite liniju indikatora
 - ! **širi deo stope bi trebalo da stoji na podupiraču na području rada**
 - može se podesiti za odabir otprašivanja sa leve ili desne strane lista testere ⑥b
 - ! **širina sečenja se određuje širinom zubaca sečiva, a ne širinom sečiva**
 - ! **uvek prvo izvedite probno sečenje, da biste proverili stvarnu liniju sečenja**
- Usisavanje prašine
 - priključite usisivač na produžetak Q ②
 - ! **nikada nemojte da dozvolite da crevo usisivača dođe u dodir sa donjim zaštitnim mehanizmom ili operacijom sečenja**
 - može da se koristi i kesa za prašinu (SKIL pribor 2610387402)
- Rukovanje alatom ②
 - uključite utikač u izvor napajanja
 - uvek jednom rukom čvrsto držite ručicu R, a drugom snažno držite ručicu S
 - postavite električni alat sa prednjim krajem ravne stope na područje rada
 - ! **proverite da zupci testere nisu zakačeni za područje rada**
 - uključite alat tako da prvo pritisnete vijak T (= zaštitni vijak koji se ne može zaključati), a zatim povučete okidač V
 - ! **električni alat bi trebalo da bude u punoj brzini pre nego što sečivo dodirne područje rada**
 - donji zaštitni mehanizam F se automatski otvara kada sečivo prođe u područje rada (ručno otvorite donji zaštitni mehanizam pomoću ručice G samo za posebne vrste sečenja, na primer za uronjeno sečenje)
 - nemojte da koristite silu pri rukovanju aparatom; primenjujte lagani i neprekidni pritisak
 - nakon završetka sečenja, isključite alat otpuštanjem obarača V
 - ! **pre nego što podignete električni alat sa područja rada, proverite da li je došlo do potpunog prekida rada sečiva**

PRIMENA

- Dobru stranu područja rada uvek okrenite nadole, da biste osigurali minimalno cepanje
- Koristite samo oštra sečiva, pravog tipa ⑦
 - kvalitet sečenja se poboljšava sa brojem zubaca
 - sečiva sa karbidnim vrhom ostaju oštra 30 puta duže od običnih sečiva
- Bočna ograda W ⑧
 - za pravljenje tačnih rezova duž ivice područja rada
 - može da se umetne na bilo koju stranu stope
- Podešavanje bočne ograde
 - otpustite dugme X
 - podesite željenu širinu sečenja korišćenjem skale bočne ograde (koristite vizir za liniju sečenja P kao nulti položaj)
 - pričvrstite dugme X
- Uronjeno sečenje ⑨
 - podesite željenu dubinu sečenja
 - nagnuti alat upravno sa vizirom linije sečenja P paralelno sa željenom linijom sečenja označenom na radnom predmetu
 - otvorite donji zaštitni mehanizam F pomoću ručice G
 - neposredno pre nego što sečivo dodirne područje rada, uključite električni alat i postepeno spuštajte stražnji kraj alata korišćenjem prednjeg kraja stope kao pokazivača
 - postepeno pomerajte alat nadole i napred
 - čim sečivo dodirne u materijal otpustite ručicu G
 - ! **nemojte nikad da gurate alat unazad**
- Sečenje velikih ploča ⑩
 - postavite ploču blizu sečenja na pod, sto ili na radni sto
 - ! **podesite dubinu sečenja tako da sečete kroz ploču, a ne kroz podupirač**
 - u slučaju da bočna ograda ne omogućava željenu širinu sečenja, zakačite sponom ili ekserom deo drveta na područje rada kao vodič i koristite desnu stranu stope uz ovaj vodič
- Za više saveta pogledajte www.skileurope.com

GARANCIJA / ZAŠTITA OKOLINE

- Održavajte alat i kabl uvek čiste (posebno otvore za ventilaciju)
 - ! **izvucite kabl iz struje pre čišćenja**
- Sečivo testere očistite neposredno posle upotrebe (posebno od smole i lepka)
- Za ovaj SKIL alat važi garancija na osnovu pravnih i specifičnih regulativa vezanih za zemlju u kojoj je alat kupljen; oštećenja koja su nastala usled vremenskog propadanja, preteranog ili nesavesnog korišćenja nisu obuhvaćena garancijom
- Alat ne sme biti otvaran, već treba da se pošalje zajedno sa računom na mesto gde je kupljen ili najbližem ovlašćenom SKIL serviseru (adrese i oznake rezervnih delova možete naći na www.skileurope.com)

- **Električne alate, pribora i ambalaže ne odložite u kućne odpadke** (samo za EU-države)
 - prema Europskoj direktivi 2002/96/EG o staroj električnoj i elektronskoj opremi i njenoj upotrebi u skladu sa nacionalnim pravom, električni alati koji su istrošeni moraju biti sakupljeni odvojeno i dostavljeni pogonu za reciklažu
 - simbol ⑪ će vas podsetiti na to

SLO

Krožna žaga

5855

UVOD

- To orodje je namenjeno za vzdolžno in prečno rezanje lesa, tako za ravne reze, kot pod kotom do 45°; z uporabo ustreznih žaginih listov pa tudi za neželezne kovine, lahke gradbene materiale in plastične mase
- Preberite in shranite navodila za uporabo

TEHNIČNI PODATKI ①

VARNOST

SPLOŠNA VARNOSTNA NAVODILA

OPOZORILO! Prosimo, da navodila preberete od začetka do konca. Posledice neupoštevanja vseh spodaj navedenih navodil so lahko električni udar, požar in/ali hude telesne poškodbe. Pojem "električno orodje", ki smo ga uporabili v nadaljevanju besedila, se nanaša na električna orodja na električni pogon (s kablom za priključitev na omrežno napetost).

1) DELOVNO MESTO

- Poskrbite, da bo Vaše delovno mesto vedno čisto in urejeno.** Nered in neosvetljena delovna področja lahko povzročijo nezgode.
- Prosimo, da naprave ne uporabljate v okolju, kjer je nevarnost za eksplozije in v katerem se nahajajo gorljive tekočine, plini in prah.** Električna orodja povzročajo iskrenje, zato se gorljivi prah ali pare lahko vnamejo.
- Ne dovolite otrokom in drugim osebam, da bi se medtem ko delate, približali električnemu orodju.** Druge osebe lahko odvrnejo Vašo pozornost drugam in izgubili boste nadzor nad napravo.

2) ELEKTRIANA VARNOST

- Vtič mora ustrezati električni vtičnici in ga pod nobenim pogojem ne smete spreminjati.** Uporaba adapterskih vtičev v kombinaciji z ozemljenimi napravami ni dovoljena. Originalni oziroma nespremenjeni vtiči in ustrezne vtičnice zmanjšujejo tveganje električnega udara.
- Izogibajte se telesnemu stiku z ozemljenimi površinami, na primer s cevmi, grelci, štedilniki in hladilniki.** Če je ozemljeno tudi vaše telo, obstaja povečano tveganje električnega udara.
- Zavarujte napravo pred dežjem ali vlago.** Vdor vode v električno napravo povečuje tveganje električnega udara.

- Električnega kabla ne uporabljajte za prenašanje ali obežanje naprave in ne vlecite vtič iz vtičnice tako, da vlečete za kabel.** Zavarujte kabel pred vročino, oljem, ostrimi robovi in premikajočimi se deli naprave. Poškodovani ali prepleteni kabli povečujejo tveganje električnega udara.
 - Če z električnim orodjem delate na prostem, uporabljajte izključno kabelski podaljšek, ki je atestiran za delo na prostem.** Uporaba kabelskega podaljška, primerne za delo na prostem, zmanjšuje tveganje električnega udara.
- ### 3) OSEBNA VARNOST
- Bodite zbrani in pazite, kaj delate.** Dela z električnim orodjem se lotite razumno. Nikoli ne uporabljajte naprave, če ste utrujeni in če ste pod vplivom mamil, alkohola ali zdravil. En sam trenutek nepazljivosti pri uporabi naprave ima lahko za posledico resne telesne poškodbe.
 - Uporabljajte osebna zaščitna sredstva in vedno nosite zaščitna očala.** Uporaba osebnih zaščitnih sredstev, na primer maske proti prahu, nedersečih zaščitnih čevljev, zaščitne čelade in glušnikov, odvisno od vrste in uporabe električnega orodja, zmanjšuje tveganje telesnih poškodb.
 - Izogibajte se nenamernemu vklopu naprave. Preden vtič vtaknete v vtičnico, se prepričajte, če je stikalo v položaju izklopa.** Če se med nošenjem naprave Vaš prst nahaja na stikalu naprave, oziroma, če vklopljeno napravo priključite na električno omrežje, lahko pride do nezgode.
 - Pred vklopom naprave odstranite z nje nastavitvena orodja ali vijačni ključ.** Orodje ali ključ, ki se nahajata na vrtečem se delu naprave, lahko povzročita nezgodo.
 - Ne precenjujte se in poskrbite za varno stojišče in stalno ravnotežje.** Tako boste lahko v nepričakovani situaciji bolje obvladali napravo.
 - Nosite primerno obleko, ki naj ne bo preohlapna. Ne nosite nakita. Lasje, oblačilo in rokavice naj se ne približujejo premikajočim se delom naprave.** Premikajoči se deli naprave lahko zgrabijo ohlapno obleko, nakit, ali dolge lase.
 - Če je možno na napravo namestiti priprave za odsesavanje in prestrazanje prahu, se prepričajte, ali so le-te priključene in, če jih pravilno uporabljate.** Uporaba teh priprav zmanjšuje ogroženost zaradi prahu.
- ### 4) RAVNANJE IN NEGA ROANEGA ORODJA
- Ne preobremenjujte naprave. Za določeno delo uporabljajte električno orodje, ki je predvideno za opravljanje tega dela.** Z ustreznim električnim orodjem boste delo opravili bolje in varneje, ker je bilo v ta namen tudi konstruirano.
 - Električno orodje, ki ima pokvarjeno stikalo, ne uporabljajte.** Električno orodje, ki ga ni možno vklopiti ali izklopiti, je nevarno in ga je potrebno popraviti.
 - Pred nastavitvijo naprave, zamenjavo pribora ali odlaganjem naprave vedno izvlecite vtič iz električne vtičnice.** Ta preventivni ukrep onemogoča nepredviden zagon naprave.

- d) Kadar orodja ne uporabljate jih shranjujte izven dosega otrok. Osebam, ki naprave ne poznajo ali niso prebrale teh navodil, naprave ne dovolite uporabljati. Električna orodja so nevarna, če jih uporabljajo neizkušene osebe.
- e) Skrbno negujte napravo. Preverite, če premikajoči se deli naprave delujejo brezhibno in če se ne zatikajo, oziroma, če kakšen del naprave ni zlomljen ali poškodovan do te mere, da bi oviral njeno delovanje. Pred nadaljnjo uporabo je potrebno poškodovani del popraviti. Vzrok za številne nezgode so ravno slabo vzdrževana električna orodja.
- f) Rezalna orodja naj bodo ostrá in čistá. Skrbno negovana rezalna orodja z ostrimi rezili se manj zatikajo in so boljé vodljiva.
- g) Električna orodja, pribor, nastavke in podobno uporabljajte v skladu s temi navodili in v skladu s predpisi, ki veljajo za določen tip naprave. Pri tem upoštevajte delovne pogoje in vrsto dela, ki ga nameravate opraviti. Zaradi uporabe električnega orodja v druge, nepredvidene namene, lahko nastanejo nevarne situacije.
- 5) **SERVIS**
- a) Popravilo naprave lahko opravi samo usposobljena strokovna oseba in to izključno z originalnimi nadomestnimi deli. Le tako bo ohranjena nadaljnja varnost naprave.

VARNOSTNA NAVODILA ZA KROŽNE ŽAGE

NEVARNOST

- Roke držite vedno proč od področja rezanja in rezila; z drugo roko vedno držite prednji ročaj (če držite žago z obema rokama, ni možnosti, da poškodujete roke z rezilom)
- Ne segajte pod obdelovanec (pod obdelovancem vas gibljivi ščit ne more ščititi pred rezilom)
- Nastavite globino reza glede na obdelovanec (izpod obdelovanca naj gleda manj kot cel zob rezila)
- Pri rezanju nikoli ne držite obdelovanca v roki ali preko vaših nog (to prispeva k točnosti dela, zmanjševanju izpostavljanja telesnim nevarnostim, zaustavljanju rezila in izgube nadzora pri delu)
- Orodje držite za izolirane dele ročaja za primer, če med delom pride orodje v stik s skrito električno napeljavo ali priključnim kablom (stik s faznim električnim vodnikom povzroči zaradi prevodnih kovinskih delov orodja električni sunek na uporabnika)
- Pri daljših rezih vedno uporabite stransko vodilo (to izboljša natančnost reza in zmanjša možnost zaustavljanja rezila)
- Vedno uporabite rezila pravih velikosti in oblike luknje vretena (krog ali romb) (rezila, ki se ne prilagajajo vretenu žage se lahko vrtilo ekscentrično in povzročajo izgubo nadzora med delom)
- Nikoli ne uporabljajte poškodovanih ali neustreznih vijakov ali podložk za pritrdjevanje rezila (za optimalno delo in varnost uporabnika so podložke za vašo žago posebej konstruirane)

POVRATNI SUNEK - VZROKI

- Povratni sunek je nenadna reakcija na stisnjen, zavrt ali napačno obrnjen žagin list, ki povzroči nenadzorovan sunek žage iz obdelovanca navzgor proti uporabniku
- Če je žagin list stisnjen v obdelovancu ali pa se zaradi zapiranja reza na zadnji strani močno zagodí vanj, se žagin list zaustavi, delujoč motor pa povzroči nenaden sunek proti uporabniku
- Če je žagin list pri rezanju zvit ali ni vzporeden z vodilom, se lahko zobje na zadnjem delu lista močno zarijejo na vrhno stran lesa kar povzroči dvig žaginega lista iz reza in sunek proti uporabniku

POVRATNI SUNEK - PREPREČITEV UPORABNIKA

Povratni sunek je posledica napačne uporabe orodja ali/in nepravilne uporabe ali okoliščin; prepreči se lahko z naslednjimi primernimi varnostnimi ukrepi

- Čvrsto držite žago z obema rokama in s položajem vaših rok preprečite moč povratnih sunkov; položaj telesa naj bo na eni ali drugi strani rezila in ne na sredini linije reza (povratni sunek bi lahko povzročil sunek žage nazaj, vendar je moč povratnih sunkov lahko nadzorovana s strani uporabnika z upoštevanjem varnostnih ukrepov)
 - Kadar se rezilo zaustavlja ali kadar se rezanje iz kakršnegakoli vzroka prekinja, spustite gumb in nepremično držite žago v obdelovancu dokler se rezilo ne zaustavi; nikoli ne poskušajte odmakniti žage iz obdelovanca ali povleči žago nazaj dokler se rezilo vrtilo, ker lahko pride do povratnega sunka (raziščite in odpravite vzroke zaustavljanja: izogibajte se rezanju žebeljev ali vijakov)
 - Pri ponovnem začetku rezanja postavite rezilo žage v rez in preverite, da se zobje rezila ne dotikajo obdelovanca (če se bo rezilo žage pri ponovnem začetku zaustavljalo, bo rezilo sililo navzgor iz obdelovanca ali pa bo prišlo do povratnega sunka)
 - Podprite večje plošče, da zmanjšate nevarnost stiskanja ali povratnega sunka (večje plošče se zaradi svoje teže povešajo; podprtje mora biti pod ploščami na obeh straneh, blizu linije reza in blizu robu plošče)
 - Ne uporabljajte topih ali poškodovanih rezil (neostra in nepravilno nameščena rezila napravijo ozek rez, ki povzroča pretirano trenje, zaustavljanje in povratni sunek)
 - Pred rezanjem morata biti vodili nastavitve globine reza in naklona reza čvrsto in varno pritrjeni (če se nastavitve reza med delom premakne, to lahko povzroči zaustavljanje ali povratni sunek)
 - Bodite posebno previdni pri potopnih rezih v stene ali ostale površine (rezilo, ki gleda iz obdelovanca lahko zarezé v predmete, ki povzročajo povratni sunek)
- ### OPOZORILO
- Pred vsako uporabo preverite pravilno delovanje gibljivega ščita
 - Ne uporabljajte žage, če se gibljivi ščit ne giblje prosto ali se takoj ne vrne v osnovni položaj
 - Nikoli ne pripnite ali privežite gibljivi ščit v odprtem položaju

- Če žaga po nesreči pade, je gibljivi ščit lahko skrit; dvignite gibljivi ščit s potegom ročice in se prepričajte, da se prosto giblje in se ne dotika rezila ali ostalih delov v celotnem območju njegovega pomika
- **Preverite delovanje vzmeti gibljivega ščita; če gibljivi ščit in vzmet ne delujeta pravilno, ju je pred uporabo potrebno popraviti** (gibljivi ščit se lahko giblje počasno tudi zaradi poškodovanih delov, smolnatih strdkov, ostankov malt)
- **Gibljivi ščit se lahko ročno premakne le pri posebnih rezih kot npr. potopnih rezih ali poravnalnih rezih; dvignite gibljivi ščit s potegom ročice - ko rezilo zareže v obdelovanec, gibljivi ščit sprostite** (pri ostalih načinih žaganja naj gibljivi ščit deluje samodejno)
- **Vedno pazite, da gibljivi ščit pokrije rezilo pri postavljanju žage na delovno mizo ali tla** (nezaščiten in vrteče se rezilo bo povzročilo poskakovanje žage in poškodbo vsega, kar je na njeni poti; pazite na čas od izključitve orodja do zaustavitve rezila)
- Izogibajte se poškodb zaradi vijakov, žebeljev ali drugih elementov v obdelovancu; odstranite jih pred začetkom dela
- Preden orodje odložite, izključite stikalo in počakajte, da se vsi gibljivi deli popolnoma zaustavijo
- Uporabljajte popolnoma odvit in varen podaljšek kabla s presekom primernim za tokove min. 16A
- V primeru električnih ali mehanskih motenj takoj izključite orodje in izvlecite vtiaka iz vtičnice
- SKIL zagotavlja brezhibno delovanje orodja le z uporabo originalnega dodatnega pribora
- Uporabljajte dodatni pribor, katerega dovoljena hitrost je najmanj enaka največji hitrosti orodja
- Nikoli ne uporabljajte orodja brez originalnega sistema zaščite
- Orodja naj ne uporabljajo osebe mlajše od 16 let
- Med delom lahko nivo hrupa presega 85 dB(A); uporabljajte zaščito proti hrupu
- Če je priključni kabel poškodovan ali se med delom pretрга se ga ne dotikajte, temveč takoj potegnite električni vtiaka iz vtičnice
- Nikoli ne uporabljajte orodja, če je kabel poškodovan; okvaro naj odpravi strokovnjak
- Pred uporabo preverite, če se omrežna napetost ujema z napetostjo navedeno na tablici orodja (stroji označeni z napetostjo 230V in 240V se lahko priključijo tudi na 220V)
- To orodje ni primerno za mokro rezanje
- Po izključitvi krožne žage, nikoli ne zavirajte vrtenja žaginega lista z bočno silo
- Nikoli ne uporabljajte žaginih listov, ki so izdelani iz hitroreznega jekla (HSS)
- S tem orodjem nikoli ne uporabljajte brusilnih ali rezalnih plošč
- Ne žagajte materialov, ki vsebujejo azbest
- Nosite zaščitno masko proti prahu, če obdelujete materiale kjer nastaja prah, ki ogroža zdravje; pred delom se pozanimajte o sestavi materiala, ki ga boste obdelovali
- Ne poskušajte žagati zelo majhnih kosov

- Odstranite ovire nad in pod linijo reza že pred začetkom žaganja
- Ne uporabljajte orodja za dela nad glavo
- Uporabljajte delovne mize le z vgrajenim stikalom, ki ob prekinitvi električnega napajanja preprečuje samodejen start motorja
- Uporabljajte mize le z vgrajenim razpornim klinom
- **Vedno izvlecite električni vtiaka iz vtičnice preden spreminjate nastavev ali menjate pribor**

UPORABA

- Menjava žaginega lista ③
 - vzemite inbus ključ A, ki je shranjen v ležišču B
 - pritisnite gumb za blokado vretena C in ga držite medtem, ko z inbus ključem odvijate vijak D
 - ! **gumb za blokado vretena C pritisnite, ko je orodje popolnoma zaustavljeno**
 - sprostite gumb za blokado vretena C
 - odstranite prirobnico E
 - odprite gibljivi ščit F s pritiskom vzvoda G in ga držite medtem, ko menjate žagin list; žagin list namestite tako, da zobje lista in na njem natisnjena puščica kažejo v isto smer kot puščica na gibljivem ščitu
 - sprostite gibljivi ščit F
 - namestite prirobnico E
- ! **prepričajte se, da so naležne površine prirobnic H popolnoma čiste in obrnjene proti listu**
- pritisnite gumb za blokado vretena C in ga držite, medtem z inbus ključem pritegnite vijak lista za 1/8 vrtljaja več kot z roko (to zagotavlja zdrs lista, če le ta naleti na premočno oviro; tako se zmanjša preobremenitev motorja in povratni sunek žage)
- sprostite gumb za blokado vretena C
- Nastavev globine reza (0 - 55 mm) ④
 - za optimalno kakovosten rez naj list žage ne sega iz obdelovanca več kot 3 mm
 - popustite ročico J
 - naravnajte/spustite podnožje K do nastavitve želene globine z uporabo skale L
 - pritrđite ročico J
- Nastavev kota reza (0 - 45°) ⑤
 - popustite vijak M
 - nagnite orodje do nastavitve želenega kota reza z uporabo skale
 - pritrđite vijak M
- ! **pri poševnem rezu, globina reza ne ustreza označeni globini na skali**
- Preverjanje kota reza pri 90° ⑥
 - nastavite in pritrđite podnožje K v položaj maksimalne globine reza ④
 - naravnajte in pritrđite kot reza na 0°
 - s kotnikom preverite, če kot med žaganim listom in spodnjo stranjo podnožja ustreza 90°
- Nastavljivi vizir linije reza P ⑥a
 - pri vodenju orodja po črti reza na obdelovancu
 - indikator linije reza uporabite pri ravnih rezih (0°) ali poševnih rezih (45°)
- ! **širši del sani vodimo po podprtem delu obdelovanca**

- z nastavitvijo lahko izbiramo, ali je odpadni material na notranji ali zunanji strani žaginega lista ⑥b
- ! **Širina reza je določena s širino zob žaginega lista in ne z debelino telesa lista**
- ! **vedno najprej napravite poskusne reze za preverjanje dejanske črte reza**
- Sesanje prahu
 - priključite sesalnik na stranski priključek Q ②
 - ! **cev sesalnika ne sme nikoli ovirati gibljivega štita ali samega rezanja**
 - lahko je uporabljena tudi vrečka za prah (SKIL pribor 2610387402)
- Upravljanje orodja ②
 - vključite vtičač v vtičnico
 - vedno čvrsto držite z eno roko ročaj R in z drugo roko ročaj S
 - položite orodje s sprednjim delom podnožja na obdelovanec
 - ! **zagotovite, da se zobje žaginega lista ne dotikajo obdelovanca**
 - orodje vključite tako, da najprej stisnete gumb T (varnostno stikalo, katero ne sme biti blokirano), nato pa pritisnite gumb V
 - ! **orodje naj doseže polno hitrost, preden list žage zareže v obdelovanec**
 - gibljivi štít F se odpre samodejno, ko pričnemo z rezanjem (vzvod za dvig gibljivega štita G uporabljajte le v izjemnih primerih rezanja - potopni rezi)
 - ne potiskajte orodja s silo; orodje potiskamo enakomerno in nalahno
 - po opravljenem rezu orodje izključimo s sprostitvijo stikala V
 - ! **prepričajte se, da se je žagin list popolnoma zaustavil preden dvignete orodje iz obdelovanca**

NASVETI ZA UPORABO

- Vedno obrnite boljšo stran obdelovanca navzdol, da zagotovite minimalno trganje obdelovanca
- Uporabljajte le ostre žagine liste pravih tipov ⑦
 - kvaliteta reza se izboljša z večjim številom zob lista
 - karbidne konice lista ostanejo ostre 30 krat dlje kot običajne konice
- Stransko vodilo W ⑧
 - za izvedbo natančnih rezov vzdolž robu obdelovanca
 - na podnožje je lahko nameščeno z leve ali desne strani
- Nastavitev stranskega vodila
 - popustite vijak X
 - s pomočjo skale na vodilu izberite želeno širino reza (uporabite vizir linije reza P kot nično izhodiščno točko)
 - pritrдите vijak X
- Potopno rezanje ⑨
 - nastavite želeno globino rezanja
 - nagnite orodje naprej, tako da je vizir linije reza P poravnava z označeno linijo reza na obdelovancu
 - odprite gibljivi štít F z vzvodom G
 - tik preden žagin list približamo obdelovancu, vključimo orodje in postopoma spuščamo zadnji del žage; pri tem nam naslonjen prednji del žage služi kot tečaj

- postopoma pomikamo orodje navzdol in tudi naprej
- ko list doseže obdelovanec, sprostimo vzvod G
- ! **orodja nikoli ne pomikamo vzvratno**
- Rezanje večjih plošč ⑩
 - ploščo podprite blizu reza tako na tleh, mizi kot delovni mizi
 - ! **nastavite globino reza samo skozi ploščo, ne pa tudi skozi podporo**
 - v primeru, da stransko vodilo ne omogoča želene širine reza, pritrдите ali pribijte raven kos lesa na obdelovanec kot vodilo in uporabite desno stran podnožja za vodenje ob tem vodilu
- Za več nasvetov pogledite na www.skileurope.com

GARANCIJA / OKOLJE

- Stroj in kabel naj bosta vedno čista (še posebej to velja za ventilacijske reže)
- ! **pred čiščenjem izvalcite vtičač iz izvora napajanja**
- Po uporabi takoj očistite žagin list (posebno od smol in lepil)
- Ta stroj znamke SKIL je zavarovan v skladu z državnimi/pokrajinskimi-posebnimi odredbami; garancija ne pokriva škode, ki je nastala zaradi običajne izrabe ali prelomov, preobremenitve ali nepravilne uporabe
- V primeru pritožb pošljite **nerazstavljen** stroj skupaj s potrdilom o nakupu na naslov svojega dobavitelja ali na naslov najbližje servisne službe SKIL (naslovi kakor tudi shema servisa so navedeni na spletnem naslovu on www.skileurope.com)
- **Električnega orodja, pribora in embalaže ne odstranjujte s hišnimi odpadki** (samo za države EU)
 - v skladu z Evropsko direktivo 2002/96/EG o odpadni električni in elektronski opremi in z njenim izvajanjem v nacionalni zakonodaji je treba električna orodja ob koncu njihove življenjske dobe ločeno zbirati in jih predati v postopek okolju prijaznega recikliranja
 - ko je potrebno odstranjevanje, naj vas o načinu spomni simbol ⑪

EST

Ketassaag

5855

SISSEJUHATUS

- Antud tööriist on ette nähtud piki- ja ristlõigetegemiseks puidus otse või kuni 45° diagonaalnurga all; vastavate saeketastega on võimalik saagida ka värvilisi metalle, kergeid ehitusmaterjale ja plastmaterjale
- Lugege käesolev kasutusjuhend läbi ja hoidke see alles

TEHNILISED ANDMED ①

TÖÖOHUTUS

ÜLDISED OHUTUSJUHISED

TÄHELEPANU! Kõik juhised tuleb läbi lugeda. Alttoodud ohutusjuhiste eiramise tagajärjeks võib olla elektrilööko, tulekahju ja/või rasked vigastused. Alpool kasutatud mõiste „Elektriline tööriist“ käib võrgutoitega (toitejuhtmega) elektriliste tööriistade kohta.

1) TÕÕKOHT

- a) **Hoidke töökoht puhas ja korras.** Segadus ja valgustamata tööpiirkonnad võivad põhjustada õnnetusi.
- b) **Ärge kasutage seadet plahvatusohtlikus keskkonnas, kus leidub tuleohtlikke vedelikke, gaase või tolmu.** Elektrilistest tööriistadest lööb sädemeid, mis võivad tolmu või auru süüdata.
- c) **Kui kasutate elektrilist tööriista, hoidke lapsed ja teised isikud töökohast eemal.** Kui Teie tähelepanu kõrvale juhitakse, võib seade Teie kontrolli alt väljuda.

2) ELEKTRIOHUTUS

- a) **Seadme pistik peab pistikupessa sobima.** Pistiku kallal ei tohi teha mingeid muudatusi. Ärge kasutage kaitsemaandusega seadmete puhul adapterpistikuid. Muutmata pistikud ja sobivad pistikupesad vähendavad elektrilöögi saamise riski.
- b) **Vältige kehakontakti maandatud pindadega, nagu torud, radiaatorid, pliidid ja külmikud.** Kui Teie keha on maandatud, on elektrilöögi risk suurem.
- c) **Hoidke seadet vihma ja niiskuse eest.** Kui elektriseadmesse on sattunud vett, on elektrilöögi saamine risk suurem.
- d) **Ärge kasutage toitejuhet selleks mitte ettenähtud otstarbel seadme kandmiseks, ülesriputamiseks ega pistiku pistikupesast väljatõmbamiseks.** Hoidke toitejuhet kuumuse, õli, teravate servade ja seadme liikuvate osade eest. Kahjustatud või keerduläänud toitejuhtmed suurendavad elektrilöögi saamise riski.
- e) **Kui töötate elektrilise tööriistaga vabas õhus, kasutage ainult selliseid pikendusjuhtmeid, mida on lubatud kasutada ka välistingimustes.** Välistingimustes kasutamiseks sobiva pikendusjuhtme kasutamine vähendab elektrilöögi saamise riski.

3) INIMESTE TURVALISUS

- a) **Olge tähelepanelik, jälgige, mida Te teete, ning toimige elektrilise tööriistaga töötades mõistlikult.** Ärge kasutage seadet, kui olete väsinud või uimastite, alkoholi või ravimite mõju all. Hetkeline tähelepanematus seadme kasutamisel võib põhjustada tõsiseid vigastusi.
- b) **Kandke isikukaitsevahendeid ja alati kaitseprille.** Isikukaitsevahendite, nagu tolmu mask, libisemiskindlad turvajalatsid, kaitsekiiver või kuulmiskaitsevahendid, kandmine – sõltuvalt elektrilise tööriista tüübist ja kasutusala – vähendab vigastuste riski.
- c) **Vältige seadme tahtmatut käivitamist.** Enne pistiku pistikupessa ühendamist veenduge, et lüliti on asendis 'OFF'. Kui hoiate seadme kandmisel sõrme lüliti või ühendate vooluvõrku sisselülitatud seadme, võib see põhjustada õnnetusi.
- d) **Enne seadme sisselülitamist eemaldage selle küljest reguleerimis- ja mutrivõtmed.** Seadme pöörleva osa küljes olev reguleerimis- või mutrivõti võib põhjustada vigastusi.
- e) **Ärge hinnake end üle. Võtke stabiilne töoasend ja hoidke kogu aeg tasakaalu.** Nii saate seadet ootamatutes olukordades paremini kontrollida.

- f) **Kandke sobivat rõivastust.** Ärge kandke laiu riideid ega ehteid. Hoidke juuksed, rõivad ja kindad seadme liikuvatest osadest eemal. Lotendavad riided, ehted või pikad juuksed võivad sattuda seadme liikuvate osade vahele.
 - g) **Kui on võimalik paigaldada tolmueemaldus- ja tolmukogumiseadiseid/seadmeid, veenduge, et need oleksid seadmega ühendatud ja et need kasutataks õigesti.** Nende seadiste/seadmete kasutamine vähendab tolmust põhjustatud ohte.
- ## 4) ELEKTRILISTE TÕÖRIISTADE HOOLIKAS KÄSITSEMIN JA KASUTAMINE
- a) **Ärge koormake seadet üle.** Kasutage töö tegemiseks selleks ettenähtud elektrilist tööriista. Sobiva elektrilise tööriistaga töötate paremini ja turvalisemalt ettenähtud võimsusvahemikus.
 - b) **Ärge kasutage elektrilist tööriista, mille lüliti on rikkis.** Elektriline tööriist, mida ei ole enam võimalik sisse ja välja lülitada, on ohtlik ning seda tuleb remontida.
 - c) **Tõmmake pistik pistikupesast välja enne seadme reguleerimist, tarvikute vahetamist ja seadme ärapanemist.** See ettevaatusabinõu väldib seadme tahtmatut käivitamist.
 - d) **Hoidke kasutusel mitteolevaid elektrilisi tööriistu lastele kättesaamatuks.** Ärge laske seadet kasutada isikutel, kes seda ei tunne või pole siintoodud juhiseid lugenud. Kogenematu kasutajate käes kujutavad elektrilised tööriistad ohtu.
 - e) **Hoolitsege seadme eest.** Kontrollige, kas seadme liikuvad osad funktsioneerivad korralikult ja ei kiildu kiini, ning ega mõned osad ei ole katki või sel määral kahjustatud, et võiksid piirata seadme funktsioneerimist. Laske kahjustatud osad enne seadme kasutamist parandada. Paljude õnnetuste põhjuseks on halvasti hooldatud elektrilised tööriistad.
 - f) **Hoidke löiketarvikud teravad ja puhtad.** Hoolikalt hoitud, teravate lõikeservadega löiketarvikud kiilduvad harvemini kinni ja neid on lihtsam juhtida.
 - g) **Kasutage elektrilist tööriista, lisavarustust, tarvikuid jne vastavalt siintoodud juhistele ning nii, nagu konkreetse seadmetüübi jaoks ette nähtud.** Arvestage seejuures töötajate ja teostatava töö iseloomuga. Elektriliste tööriistade kasutamine mitte ettenähtud otstarbel võib põhjustada ohtlikke olukordi.
- ## 5) TEENINDUS
- a) **Laske seadet parandada ainult kvalifitseeritud spetsialistidel ja ainult originaalvaruosadega.** Nii tagate seadme püsimise turvalisena.

OHUTUSJUHISE KETASSAAGIDE KOHTA

OHUD

- **Hoidke käed löikepiirkonnast ja saekettast eemal; hoidke teine käsi esikäepidemel** (kui hoiate saagi mõlema käega, ei jää käed saeketta ette)
- **Ärge viige kätt tooriku alla** (tooriku all ei saa kettakaitse Teid saeketta eest kaitsta)
- **Kohandage lõikesügavust tooriku paksumusega** (tooriku all peaks olema saekettast näha vähem kui täishamba ulatuses)

- **Ärge kunagi hoidke saetavat eset käes või risti üle jala** (tooriku korralik toestamine on oluline, et ohustada võimalikult vähe oma keha ning piirata saeketta kinnikiildumise ja tööriista kontrolli alt väljumise oht miinimumini)
- **Kui on oht, et löiketarvik võib puutuda kokku varjatud elektrijuhtme või tööriista enda toitejuhtmega, tuleb tööriista hoida ainult isoleeritud käepidemetest** (kokkupuude pingele all oleva juhtmega võib tekitada pingele seadme metallosades ja põhjustada elektrilöögi)
- **Pikisaagimisel kasutage alati paralleeljuhikut või juhtlauda** (see suurendab löike täpsust ja vähendab saeketta kinnikiildumise ohtu)
- **Kasutage alati õige suuruse ja kujuga siseavaga (romb või ümar) saekettaid** (saekettad, mis ei sobi sae võliga, pöörlevad eksentriliselt ja põhjustavad tööriista väljumise kasutaja kontrolli alt)
- **Ärge kunagi kasutage kahjustatud või mittesobivaid saeketta seibe või polte** (saeketta seibid ja poldid on konstrueeritud spetsiaalselt Teie sae jaoks, tagamaks optimaalset jõudlust ja tööohutust)

TAGASILÖÖK - PÕHJUSED

- Tagasilöök on sae ootamatu vastureaktsioon, mis tekib, kui saeketas on kinnikiildunud, kõverdunud või selle liikumine on takistatud ning mille tagajärjel tõuseb saag kontrollimatult töödeldavast detailist välja ja „hüppab“ sae kasutaja poole
- Kui sulgub löikejalg saeketta kinni kiilub või selle liikumist takistab, aeglustub saeketta pöörlemine ja mootori vastumõju tulemusel liigub saag kiiresti kasutaja poole
- Kui saeketas löikamisel väändub või kõverdub, võivad saeketta tagumised hambad takerduda puidu pealmisse kihti, mille tagajärjel tuleb saeketas löikejäljest välja ja „hüppab“ tagasi sae kasutaja poole

TAGASILÖÖK - VÄLTIMINE

Tagasilöök on tööriista väärkasutamise ja/või valede töövõtete või -tingimuste tagajärg ning seda saab vältida, võttes tarvitusele sobivad ettevaatusabinõud, mis on toodud allpool

- **Hoidke saagi tugevalt mõlema käega ja asetage käed selliselt, et suudaksite seista vastu tagasilöögiga kaasnevatele jõududele; seiske nii, et Teie keha oleks saekettast paremal või vasakul, kuid mitte sellega ühel joonel** (tagasilöögi mõjul võib saag "hüpata" tagasi, kuid kasutajal on võimalik tagasilöögiga kaasnevaid jõude kontrollida, võttes tarvitusele sobivad ettevaatusabinõud)
- **Saeketta kinnikiildumisel või löike katkestamisel mingil põhjusel vabastage lüliti ja hoidke saagi liikumatult materjali sees, kuni saeketas täielikult seiskub; ärge kunagi püüdke eemaldada saagi töödeldavast materjalist või tõmmata saagi tagasi, kui saeketas pöörleb või võib toimuda tagasilöök** (uurige olukorda ja võtke tarvitusele meetmed, et kõrvaldada saeketta kinnikiildumise põhjus; vältige naelte või kruvide saagimist)
- **Kui käivitate tooriku sees olevat saagi, sättige saag löikejälje keskele ja kontrollige, et saehambad ei haarduks materjali** (kinnikiildunud saeketas võib liikuda üles või tekitada tagasilöögi, kui saag uuesti käivitatakse)

- **Toestage suured plaadid, et piirata saeketta kinnikiildumise ja tagasilöögi ohtu miinimumini** (suured plaadid kipuvad omaenda kaalu all painduma; toestatud plaadid paigutada plaadi alla mõlemale küljele, löikejoone lähedale ja plaadi serva äärde)
- **Ärge kasutage nüri või kahjustatud saekettast** (teritamata või valesti paigaldatud saekettast tekib kitsas löikejalg, mis põhjustab liigset hõõrdumist, saeketta kinnikiildumist ja tagasilööke)
- **Enne löike tegemist peavad löikesügavuse ja -nurga reguleerimise lukustushoovad olema kindlalt kinnitatud** (kui saeketta seadistused saagimise ajal muutuvad, võib see põhjustada kinnikiildumise ja tagasilöögi)
- **Olge eriti tähepanelik, kui teete „uputuslöikeid“ olemasolevates seintes või muudes varjatud piirkondades** (esileulatav saeketas võib lõigata objekte, mis põhjustavad tagasilöögi)

HOIATUS

- **Iga kord enne kasutamist kontrollige, et alumine kettakaitse sulguks korralikult**
- **Ärge kasutage saagi, kui alumine kettakaitse ei liigu vabalt ega sulgu koheselt**
- **Alumist kettakaitset ei tohi avatud asendis kinni kiiluda**
- **Kui saag kogemata maha kukub, võib alumine kettakaitse väänduda; tõstke alumine kettakaitse tagasitõmmatavast käepidemest üles ning veenduge, et see liigub vabalt ja ei puuduta saekettast ega muid detaile mistahes löikenurkade ja -sügavuste juures**
- **Kontrollige alumise kettakaitse vedru funktsioneerimist; kui kettakaitse ja selle vedru ei funktsioneeriks korralikult, tuleb need enne kasutamist parandada** (kahjustatud osade, kleepuvate sadestuste või mustuse kuhjumise tõttu võib alumine kettakaitse toimida aeglaselt)
- **Alumist kettakaitset tuleks käsitsi tagasi tõmmata ainult eriolügete nagu „uputuslöiked“ ja liitlöiked tegemiseks; tõstke alumine kettakaitse tagasitõmmatavast käepidemest üles ja vabastage alumine kettakaitse niipea, kui saeketas tungib materjali sisse** (kõikide muude saagimistööde ajal peaks alumine kettakaitse toimima automaatselt)
- **Enne sae asetamist tööpingile või põrandale jälgige alati, et saeketas on alumise kettakaitsega kaetud** (kaitsmata, vabajooksul saeketas põhjustab sae liikumise tagasi, lõigates kõike, mis selle teele jääb; pöörake tähelepanu ajavahemikule, mis kulub lüliti vabastamisest saeketta seiskumiseni)
- **Vältige kahjustusi töödeldavas esemes olevate kruvide, naelte vms tõttu; eemaldage need enne löike tegemist**
- **Enne tööriista ärapanemist lülitage mootor välja ja veenduge, et kõik liikuvad osad on täielikult seiskunud**
- **Kasutage lõpuni lahti keritud ja turvalisi pikendusjuhtmeid, mis vastavad 16 A voolutugevusele**
- **Tööriista blokeerimisel või elektrilise või mehhaanilise tõrke korral lülitage see viivitamatult välja ning eemaldage pistik vooluvõrgust**
- **SKIL saab tagada tööriista häireteta töö üksnes originaaltarvikute kasutamisel**

- Kasutage ainult selliseid tarvikuid, mille lubatud kiirus vastab vähemalt tööriista suurimale tühikäigukiirusele
- Ärge kunagi kasutage tööriista ilma originaalkaitseeseadisteta
- Antud tööriista kasutaja peaks olema vähemalt 16 aastat vana
- Töötamise ajal võib müratase ületada 85 dB(A); kandke kuulmiskaitsevahendeid
- Kui toitejuhe saab töötamisel ajal kahjustada või see lõigatakse läbi, ärge toitejuhet puutuge, vaid eemaldage koheselt pistik vooluvõrgust
- Ärge kunagi kasutage kahjustatud toitejuhtmega tööriista; laske see remonditöökojas välja vahetada
- Kontrollige alati, et kasutatav võrgupinge vastaks tööriista andmesildile märgitud pingele (andmesildil märgitud 230 V ja 240 V tööriistu võib kasutada ka 220 V võrgupinge korral)
- Antud tööriist ei sobi märglõigete tegemiseks
- Pärast ketassae väljalülitamist ärge kunagi peatage saeketta pöörlemist külgsurvega
- Kiiriloiketerasest (HSS) saeketaste kasutamine on keelatud
- Ärge kunagi kasutage selles tööriistas lihvimis-/lõikekettaid
- Keelatud on saagida asbesti sisaldavat materjali
- Materjalide töötlemisel, millega kaasneb tervistkahjustava tolmu teke, kandke tolumumaski; hankige töödeldavate materjalide kohta eelnevalt informatsiooni
- Ärge püüdke saagida väga väikeseid toorikuid
- Enne saagimise alustamist eemaldage kõik nii töödeldava materjali peal- kui allpool lõikejoonel asuvad takistused
- Ärge töötage tööriistaga, hoides seda pea kohal
- Kasutage üksnes sellist saepinki, millel on lüüti takistamaks mootori taaskäivitumist pärast voolukatkestust
- Kasutage üksnes sellist saepinki, mis on varustatud juhtkiiluga
- Enne reguleerimist ja tarviku vahetust eemaldage alati pistik vooluvõrgust

KASUTAMINE

- Saeketta vahetus ③
 - võtke hoidikust B välja kuuskantvõti A
 - vajutage spindlilukustusnupule C ja hoidke seda all, samal ajal eemaldage kuuskantvõtme abil ketta polt D
- ! **spindlilukustusnupule C tohib vajutada ainult siis, kui seade ei tööta**
- vabastage spindlilukustusnupp C
- eemaldage flanš E
- avage alumine kettakaitse F hoova G abil ja hoidke seda avatuna; samal ajal vahetage saeketas, jälgides, et saeketta hammaste ja kettal oleva noole suund ühtiksid alumisel kettakaitsele oleva noole suunaga
- vabastage alumine kettakaitse F
- paigaldage flanš E
- ! **jälgi, et flanšide klemmipinnad H oleksid täiesti puhtad ja suunatud vastu saeketast**

- vajutage spindlilukustusnupule C ja hoidke seda all, samal ajal pingutage ketta polti kuuskantvõtmega 1/8 pöörde ulatuses (tagab saeketta libisemise kokkupuutel suure takistusega, vähendades mootori ülekoormust ja sae tagasilööki)
- vabastage spindlilukustusnupp C
- Lõikesügavuse reguleerimine (0-55 mm) ④
 - optimaalse lõikeväliteedi tagamiseks ei tohiks saeketas ulatuda tooriku alt välja rohkem kui 3 mm
 - vabastage hoob J
 - tõstke/langutage alusplaati K, kuni skaalale (osuti L) ilmub soovitud lõikesügavus
 - pingutage hoob J
- Lõikenurga reguleerimine (0-45°) ⑤
 - lödvendage nupp M
 - kallutage tööriista, kuni skaalale (osuti N) ilmub soovitud lõikenurk
 - pingutage nupp M
- ! **diagonaallõike puhul ei vasta lõikesügavuse skaalal näidatud väärtus tegelikule lõikesügavusele**
- 90° lõikenurga kontrollimine ⑤
 - reguleerige alusplaat K maksimaalsele lõikesügavusele ja pingutage ④
 - reguleerige lõikenurk väärtusele 0° ja pingutage
 - kontrollige nurgamõõdikuga, kas saeketta ja alusplaadi põhja vaheline nurk on 90°
- Reguleeritav lõikejoone-aken P ⑥a
 - tööriista täpseks juhtimiseks mõõda töödeldavale esemele märgitud lõikejoont
 - 0° all tehtava otselõike või 45° all tehtava diagonaallõike puhul kasutage vastavaid näitjooni
- ! **suurem osa alusplaadist peaks asuma töödeldava eseme toetatud osal**
- reguleerides on võimalik valida, kas saepuru koguneb saeketta sise- või välisküljele ⑥b
- ! **lõikelaiuse määrab saehammaste laius, aga mitte saeketta paksus**
- ! **tehke alati kõigepealt proovilõige, et kontrollida tegelikku lõikejoont**
- Tolmuimevõrk
 - ühendage tolmuimevõrku adapteriga Q ②
- ! **jälgi, et tolmuimeja voolik ei tõkestaks kunagi alumise kettakaitse funktsioneerimist ega takistaks saagimistööd**
- võib kasutada ka tolmuikotti (SKIL lisatarvik 2610387402)
- Tööriista käsitlemine ②
 - ühendage pistik vooluvõrku
 - hoidke alati tugevalt ühe käega käepidemest R ja teise käega tugevalt käepidemest S
 - asetage tööriist alusplaadi esiservaga tasaselt toorikule
- ! **veenduge, et saeketta hambad ei ole toorikuga haakunud**
- lülitage tööriist sisse, vajutades kõigepealt nupule T (= turvalüliti, mida pole võimalik lukustada) ja siis vajutage sisse lüliti V
- ! **enne saeketta viimist töödeldavasse materjali peab saag saavutama täiskiiruse**

- alumine kettakaitse F avaneb automaatselt, kui saeketas viiakse töödeldavasse materjali (avage alumine kettakaitse käsitsi ainult eriliste lõigete nagu "uputuslõigete" korral; selleks kasutage hooba G
- ärge koormake tööriista üle; jälgige, et surve oleks kerge ja pidev
- pärast lõike lõpetamist lülitage tööriist välja, vabastades lüliti V
- ! **enne tööriista eemaldamist toorikust veenduge, et saeketas on täielikult seiskunud**

KASUTUSJUHISED

- Asetage töödeldav ese alati ilusama poolega allapoole, et piirata materjalikahjustusi miinimumini
- Kasutage üksnes õiget tüüpi teravaid saekettaid ⑦
 - lõikekvaliteet paraneb saeketta hammaste arvu suurenedes
 - kõvasulam-saeketaste kasutusiga on võrreldes tavaliste saeketastega kuni 30 korda pikem
- Paralleeljuhk W ⑧
 - täpsete lõigete tegemiseks piki tooriku äärt
 - võimalik kinnitada alusplaadi mõlema külje külge Paralleeljuhiku reguleerimine
 - lõdvendage nupp X
 - reguleerige paralleeljuhiku skaala abil välja soovitud lõikelaius (kasutage aken P 0-referentsina)
 - pingutage nupp X
- Uputuslõiked ⑨
 - määrake kindlaks soovitud lõikesügavus
 - kallutage tööriista ettepoole, nii et aken P on suunatud töödeldavale esemele märgitud lõikejoonele
 - avage alumine kettakaitse F hooba G abil
 - veidi enne saeketta sisenemist materjali lülitage tööriist sisse ning langetage aeglaselt tööriista tagumist osa, kasutades toetuspunktina alusplaadi esiserva
 - langetage tööriista vähehaaval ja lükake samal ajal ettepoole
 - niipea kui saeketas siseneb toorikusse, vabastage hoob G
- ! **ärge kunagi tömmake tööriista tagasisuunas**
- Suurte plaatide lõikamine ⑩
 - toetage plaat lõikejoone lähedalt põrandale, lauale või tööpingile
- ! **reguleerige lõikesügavus selliselt, et te saete läbi plaadi, kuid ei kahjusta tugesid**
 - kui paralleeljuhkuga pole võimalik soovitud laiuses saagida, kinnitage toorikule (pitskruidide või naelte abil) sae juhtimist hõlbustav sirge puulist ning juhtige saagi parema alusplaadi äärega mööda seda
- Rohkem nõuandeid leiate Internetist aadressil www.skileurope.com

GARANTII / KESKKOND

- Hoidke tööriist (eriti selle ventilatsioonivad) ja toitejuhe puhtad
- ! **enne puhastamist eemaldage pistik vooluvõrgust**
- Puhastage saeketas kohe pärast kasutamist (eelkõige vaigu- ja liimijääkidest)

- Sellele SKILI seadmele antav garantii on vastavuses seadustega/konkreetse riigi tingimustega; normaalsest kulumisest, ülekoormusest või seadme ebaõigest kasutamisest põhjustatud kahjustused ei kuulu garantiikorras hüvitamisele
- In Kaebuste korral satke **lahtimonteerimata** tööriist koos ostukviitungiga tarnijale või lähimase SKILI teenindustöökotta (aadressid ja tööriista varuosade joonise leiate Internetist aadressil www.skileurope.com)
- **Ärge visake kasutusõlbrmatuks muutunud elektrilisi tööriistu, lisatarvikuid ja pakendeid ära koos olmejäätmetega** (üksnes EL liikmesriikidele)
 - vastavalt Euroopa Parlamendi ja nõukogu direktiivile 2002/96/EÜ elektri- ja elektroonikaseadmete jäätmete kohta ning direktiivi nõuete kohaldamisele liikmesriikides tuleb kasutusõlbrmatuks muutunud elektrilised tööriistad koguda eraldi ja keskkonnasäästlikult korduvkasutada või ringlusse võtta
 - seda meenutab Teile sümbol ⑪

LV

Ripzāģis

5855

IEVADS

- Šis instruments ir paredzēts kokmateriālu garenzāģēšanai un šķērszāģēšanai, veidojot tajos taisnos zāģējumus, kā arī slīpos zāģējumus ar zāģēšanas leņķi no 0° līdz 45°; iestiprinot ripzāģi piemērotus zāģa asmeņus, šo instrumentu var izmantot arī krāsaino metālu, viegļu būvmateriālu un plastmasas zāģēšanai
- Izlasiet un saglabājiet šo Pamācību

TEHNISKIE PARAMETRI ①

JŪSU DROŠĪBAI

VISPĀRĒJIE DARBA DROŠĪBAS NOTEIKUMI

UZMANĪBU! Rūpīgi izlasiet šos noteikumus. Šeit sniegto darba drošības noteikumu neievērošana var izraisīt ugunsgrēku un būt par cēloni elektriskajam triecienam vai nopietnam savainojumam. Turpmākajā izklāstā lietotais apzīmējums 'Elektroinstruments' attiecas gan uz tīkla elektroinstrumentiem (ar elektrokabēli).

1) DARBA VIETA

- Sekojet, lai darba vieta būtu tīra un sakārtota.** Nekārtīgā darba vietā un slīktā apgaismojumā var viegli notikt nelaimes gadījums.
- Nelietojiet elektroinstrumentu eksplozīvu vai ugunsnedrošu vielu tuvumā un vietās ar paaugstinātu gāzes vai putekļu saturu gaisā.** Darba laikā instruments nedaudz dzirkstejo, un tas var izsaukt viegli degošu putekļu vai tvaiku aizdegšanos.
- Lietojot elektroinstrumentu, nelaujiet nepiederošām personām un jo īpaši bērniem tuvoties darba vietai.** Citu personu klātbūtne var novērst uzmanību, un tā rezultātā jūs varat zaudēt kontroli pār instrumentu.

2) ELEKTRODROŠĪBA

- a) **Elektroinstrumenta kontaktdakšai jābūt piemērotai elektrotīkla kontaktlīdzdai. Kontaktdakšas konstrukcija nedrīkst nekādā veidā mainīties. Nelietojiet kontaktdakšas salāgotājus, ja elektroinstrumenti caur kabeli tiek savienoti ar aizsargzēmējuma ķēdi.** Neizmaiņātas konstrukcijas kontaktdakša, kas piemērota kontaktlīdzdai. Jauj samazināt elektriskā triecienu saņemšanas risku.
 - b) **Darba laikā nepieskarieties uzņemtiem priekšmetiem, piemēram, caurulēm, radiatoriem, plītiem vai ledusskapjiem.** Pieskaroties uzņemtiem virsmām, pieaug risks saņemt elektrisko triecienu.
 - c) **Nelietojiet elektroinstrumentu lietus laikā, neturiet to mitrumā.** Mitrumam iekļūstot instrumentā, pieaug risks saņemt elektrisko triecienu.
 - d) **Nenesiet un nepiekariet elektroinstrumentu aiz elektrokabeļa. Neraujiet aiz kabeļa, ja vēlaties atvienot instrumentu no elektrotīkla kontaktlīdzdas. Sargājiet elektrokabeļi no karstuma, eļļas, asām šķautnēm un instrumenta kustīgajām daļām.** Bojāts vai sasmēļojies elektrokabeļis var būt par cēloni elektriskajam triecienam.
 - e) **Darbinot elektroinstrumentu ārpus telpām, izmantojiet tā pievienošanai vienīgi tādus pagarinātājkabeļus, kuru lietošana ārpus telpām ir atļauta.** Lietojot elektrokabeļi, kas piemēroti darbam ārpus telpām, samazinās risks saņemt elektrisko triecienu.
- ## 3) PERSONISKĀ DROŠĪBA
- a) **Darba laikā saglabājiet paškontroli un rīkojieties saskaņā ar veselo saprātu. Pārtrauciet darbu, ja jūtaties noguris vai atrodaties alkohola, narkotiku vai medikamentu izraisītā reibumā.** Strādājot ar elektroinstrumentu, pat viens neuzmanības mirklis var būt par cēloni nopietnam savainojumam.
 - b) **Izmantojiet individuālos darba aizsardzības līdzekļus un darba laikā vienmēr nēsājiet aizsargbrilles.** Individuālo darba aizsardzības līdzekļu (putekļu maskas, neslidošu apavu un aizsargķiveres vai ausu aizsargu) pielietošana atbilstoši elektroinstrumenta tipam un veicamā darba raksturam Jauj izvairīties no savainojumiem.
 - c) **Nepieļaujiet elektroinstrumenta patvaļīgu ieslēgšanos. Pirms pievienošanas elektrotīkla kontaktlīdzdai pārliecinieties, ka instrumenta ieslēdzējs atrodas stāvoklī 'OFF'.** Pārnesot instrumentu, ja pirksts atrodas uz ieslēdzēja, kā arī pievienojot to barojošajam elektrotīklam laikā, kad instruments ir ieslēgts, viegli var notikt nelaimes gadījums.
 - d) **Pirms instrumenta ieslēgšanas neaizmirstiet izņemt no tā regulējošos instrumentus vai skrūvjaatlēgas.** Patronatslēga vai skrūvjaatlēga, kas instrumenta ieslēgšanas brīdī nav izņemta no tā, var radīt savainojumu.
 - e) **Strādājot ar elektroinstrumentu, ieturiet stingru stāju. Darba laikā vienmēr saglabājiet līdzsvaru un centieties nepaslidēt.** Tas atvieglos instrumenta vadību neparedzētās situācijās.

- f) **Izvēlieties darbam piemērotu apģērbu. Darba laikā nenēsājiet brīvi plandošas drēbes un rotaslietas. Netuviniet matus, apģērbu un aizsargcimdus instrumenta kustīgajām daļām.** Valīgas drēbes, rotaslietas un gari mati var iekerties instrumenta kustīgajās daļās.
 - g) **Ja elektroinstrumenta konstrukcija ļauj tam pievienot ārējo putekļu uzsūkšanas vai savākšanas/uzkrāšanas ierīci, sekojiet, lai tā tiktu pievienota elektroinstrumentam un pareizi darbotos.** Pielietojot putekļu atsūkšanu vai savākšanu/uzkrāšanu, samazinās putekļu kaitīgā ietekme uz strādājošās personas veselību.
- ## 4) ELEKTROINSTRUMENTU LIETOŠANA UN APKOPE
- a) **Nepārslogojiet elektroinstrumentu. Katram darbam izvēlieties piemērotu instrumentu.** Elektroinstrumenti darbosies labāk un drošāk pie nominālās slodzes.
 - b) **Nelietojiet elektroinstrumentu, ja ir bojāts tā ieslēdzējs.** Elektroinstrumenti, ko nevar ieslēgt un izslēgt, ir bīstami lietošanai un to nepieciešams remontēt.
 - c) **Pirms apkopes, regulēšanas vai darbinstrumenta nomaipnas atvienojiet elektroinstrumenta kontaktdakšu no barojošā elektrotīkla.** Šādi iespējams samazināt elektroinstrumenta nejausās ieslēgšanās risku.
 - d) **Elektroinstrumentu, kas netiek darbināts, uzglabājiet piemērotā vietā, kur tas nav sasniedzams bērniem un personām, kuras neprot rīkoties ar instrumentu.** Ja elektroinstrumentu lieto nekompetentas personas, tas var apdraudēt cilvēku veselību.
 - e) **Rūpīgi veiciet elektroinstrumenta apkalpošanu. Pārbaudiet, vai kustīgās daļas darbojas bez traucējumiem un nav iespīlētas, vai kāda no daļām nav salauzta vai bojāta, vai katra no tām pareizi funkcionē un pilda tai paredzēto uzdevumu. Nodrošiniet, lai bojātās daļas tiktu savlaicīgi nomainītas vai remontētas pilnvarotā remontu darbnīcā.** Daudzi nelaimes gadījumi notiek tāpēc, ka elektroinstrumenti pirms lietošanas nav pienācīgi apkalpoti.
 - f) **Savlaicīgi noīriet un uzasiniet griezošos darbinstrumentus.** Rūpīgi kopti instrumenti, kas apgādāti ar asiem griezējinstrumentiem, ļauj strādāt daudz ražīgāk un ir vieglāk vadāmi.
 - g) **Lietojiet vienīgi tādus elektroinstrumentus, papildpiederumus, darbinstrumentus utt., kas paredzēti attiecīgajam pielietojuma veidam un/vai ir piemēroti attiecīgajam instrumentam. Bez tam jāņem vērā arī konkrētie darba apstākļi un pielietojuma īpatnības.** Elektroinstrumentu lietošana citiem mērķiem, nekā to ir paredzējusi ražotājfirma, ir bīstama un var novest pie neparedzamām sekām.
- ## 5) APKALPOŠANA
- a) **Nodrošiniet, lai Instrumenta remontu veiktu kvalificēts personāls, nomaipai izmantojot oriģinālās rezerves daļas un piederumus.** Tikai tā iespējams panākt instrumenta ilgstošu un nevainojamu darbību bez atteikumiem.

DARBA DROŠĪBAS NOTEIKUMI RIPZĀGIEM

RISKA FAKTORI

- Turiet rokas drošā attālumā no zāga darbības zonas un rotējošā zāga asmens; brīvo roku novietojiet uz instrumenta priekšējā roktura (vadot instrumentu ar abām rokām, gūt savainojumu no zāga asmens nav iespējams)
- Nepieskarieties ar rokām apstrādājamā priekšmeta apakšējai daļai (ripzāga aizsargs nevar nodrošināt aizsardzību no zāga asmens apstrādājamā priekšmeta apakšpusē)
- Iestādiēt zāgēšanas dziļumu atbilstoši apstrādājamā priekšmeta biežumam (darba gaitā apstrādājamā priekšmeta apakšpusē redzamās zāga asmens zobu daļas augstumam jābūt mazākam par pilnu asmens zobu augstumu)
- Neturiet zāgējamo priekšmetu rokās un neatbalstiet to pret kāju (lai mazinātu savainojumu gūšanas risku, zāga asmens iestrēgšanu, kā arī lai nezaudētu kontroli pār instrumentu, ir ļoti svarīgi pareizi atbalstīt apstrādājamo priekšmetu)
- Ja zāgēšanas laikā pastāv iespēja zāga asmenim skart kādu aplēptu elektropārvades līniju vai instrumenta elektrokabeli, turiet ripzāgi tikai aiz tā izolētās satvervirsmas (zāga asmenim skarot elektrības vadu, instrumenta neizolētās metāla daļas var nokļūt zem sprieguma, radot risku saņemt elektrisko triecienu)
- Veicot garenzāgēšanu, lietojiet paralēlo vadotni vai izmantojiet kā vadotni priekšmeta taisno malu (tas palielina zāgēšanas precizitāti un samazina zāga asmens iestrēgšanas iespējamību)
- Lietojiet zāga asmeņus ar pareizu centrālās atveres izmēru un formu (apaļu vai rombeveida) (zāga asmeņi, kuru centrālā atvere neatbilst ripzāga darbvārpstas noturvīrsmai, rotē ekscentriski, traucējot instrumenta normālu vadību)
- Neizmantojiet nolietotas vai bojātas zāga asmens starplikas vai noturuzgriežņus (šīs detaļas ir speciāli paredzētas ripzāga asmeņiem, lai nodrošinātu optimālu darba kvalitāti un drošību)

KAS VAR IZSAUKT ATSI TIENU

- Par atsitieni sauc negaidītu ripzāga reakciju, tā asmenim iestrēgstot apstrādājamajā materiālā vai novirzoties no zāgējuma līnijas, kā rezultātā instruments strauji paceļas augšup no apstrādājamā priekšmeta un pārvietojas darba veicēja virzienā
- Ja zāgējuma šķēlumam aizveroties asmens cieši iestrēgst, tas var apstāties, kā rezultātā ripzāga elektrodzinēja reakcijas dēļ instruments strauji pārvietojas darba veicēja virzienā
- Ja asmens zāgējuma šķēlumā sašķiebjas vai novirzās no zāgējuma līnijas, zāga asmens aizmugurējās malas zobi var iestrēgt zāgējamā kokmateriāla virskārtā, liekot asmenim izrautes no zāgējuma vietas un pārvietoties darba veicēja virzienā

KĀ IZSARGĀTIES NO ATSI TIENA

Atsitens parasti rodas instrumenta nepareizas lietošanas rezultātā un no tā var izvairīties, ievērojot šādus noteikumus

- Stingri turiet instrumentu ar abām rokām, satverot to tādā veidā, lai izturētu atsitiena reaktīvā spēka iedarbību; pie tam jūs nedrīkstat atrasties uz vienas līnijas ar zāga asmeni, bet gan jāstāv vienā vai otrā pusē no zāga asmens (atsitens var izsaukt negaidītu zāga kustību darba veicēja virzienā, taču, veicot vajadzīgos piesardzības pasākumus, atsitiena reaktīvā spēka iedarbību iespējams kontrolēt)
- Ja zāga asmens iestrēgst vai arī zāgēšana tiek pārtraukta kādu citu iemeslu dēļ, atlaidiet ripzāga ieslēdzēju un turpiniet turēt instrumentu nekustīgi zāgējamajā materiālā, līdz pilnībā apstājas zāga asmens; nekādā gadījumā neizņemiet instrumentu no zāgējamā priekšmeta un nevelciet ripzāgi atpakaļ, kamēr zāga asmens vēl atrodas kustībā, jo tas var izsaukt atsitieni (nosakiet zāga asmens iestrēgšanas iemeslus un veiciet pasākumus to novēršanai; izvairieties no tādiem priekšmetu zāgēšanas, kuros atrodas naglas vai skrūves)
- Atkārtoti ieslēdzot ripzāgi laikā, kad tā asmens atrodas apstrādājamajā priekšmetā, centieties turēt asmeni zāgējuma šķēluma vidū un pārbaudiet, vai tā zobi nav iespiekušies zāgējamajā materiālā (ja zāga asmens ir iestrēdzis, tad, ieslēdzot instrumentu, tā asmens var strauji pārvietoties augšup no apstrādājamā priekšmeta vai arī radīt atsitieni)
- Lai izvairītos no zāga asmens iestrēgšanas un atsitiena zāgējot liela izmēra paneļus, tie ir jāatbalsta (liela izmēra paneļi zem sava svāra mēdz ieliekties; balsti jānovieto paneļa abos sānos tuvu zāgējuma līnijai un pie paneļa malas)
- Neizmantojiet neasus vai bojātus asmeņus (neuzasināti vai nepareizi iestiprināti asmeņi veido šauru zāgējuma šķēlumu, kas var izsaukt pastiprinātu berzi, asmens iestrēgšanu un zāga atsitieni)
- Pirms zāgēšanas uzsākšanas stingri pievelciet zāgēšanas dziļuma un zāgēšanas leņķa iestādījumu fiksējošās viras (ja zāgēšanas gaitā zāga asmens stāvokļa iestādījumi izmainās, tas var izsaukt asmens iestrēgšanu un zāga atsitieni)
- Veltiet īpašu uzmanību, veicot zāgēšanu ar asmens iegremdēšanu sienās vai citās slēgtās virsmās (zāga asmens var skart neredzamus objektus, izsaucot zāga atsitieni)

WARNING

- Ik reizi pirms darba uzsākšanas pārbaudiet, vai zāga asmens apakšējais aizsargs pilnībā aizveras
- Nestrādājiet ar ripzāgi, ja tā asmens apakšējais aizsargs nespēj brīvi pārvietoties un neaizveras uzreiz
- Nemēģiniet nofiksēt ripzāga apakšējo asmens aizsargu atvērtā stāvoklī
- Ja ripzāgis nejauši nokrīt, asmens apakšējais aizsargs var saliekties; šajā gadījumā ar speciāla ievēlkošā roktura palīdzību paceliet asmens apakšējo aizsargu un pārbaudiet, vai tas spēj brīvi pārvietoties un neskar asmeni vai kādu citu instrumenta daļu; pārbauda jāveic pie visiem zāgēšanas dziļuma un leņķa iestādījumiem

- **Pārbaudiet asmens apakšējā aizsarga atsperes darbību; ja aizsargs vai tā atspere nedarbojas pareizi, pirms darba uzsākšanas jāveic to apkope** (zāga asmens apakšējā aizsarga brīva pārvietošanās var tikt traucēta kāda bojājuma, gumijas nosēduma vai sakrājušos neīrurum dēļ)
- **Zāga asmens apakšējo aizsargu ir pieļaujams atvērt ar roku tikai tad, kad tiek veikti tādi speciālie zāgējumi, kā zāgēšana ar asmens iegremdēšanu vai salikto zāgējumu veidošana; šādos gadījumos ar ieviekošā roktura palīdzību atveriet asmens apakšējo aizsargu un, ripzāga asmenim ieejot apstrādājamajā materiālā, tūlīt to nolaidiet** (veicot visus pārējos zāgējumus, asmens apakšējam aizsargam jādarbojas automātiski)
- **Pirms ripzāga novietošanas uz darbgalda vai grīdas raugieties, lai asmens apakšējais aizsargs nosegtu asmeni** (nenosegts asmens, kurš pēc inerces vēl rotē, var likt ripzāgim pārvietoties atpakaļvirzienā, sagriežot visu, kas gadās tam ceļā; atcerieties, ka pēc instrumenta izslēgšanas zāga asmens vēl kādu laiku turpina rotēt)
- Izvaieties no instrumenta bojājumiem, kurus var izsaukt apstrādājamajā priekšmetā atrodošās skrūves, naglas vai citi elementi; tādēļ pirms darba uzsākšanas atbrīvojiet no tiem apstrādājamo priekšmetu
- Pirms novietošanas izslēdziet instrumentu un nogaidiet, līdz tā kustīgās daļas pilnīgi apstājas
- Lietojiet piemērotus pagarinātājkabeļus, kas paredzēti strāvai 16 A; pirms pievienošanas elektrotīklam pilnīgi atritiniet kabeli
- Ja iestrēgst ripzāga asmens vai notiek jebkura cita mehāniska vai elektriska rakstura kļūme, nekavējoties izslēdziet instrumentu un atvienojiet to no barojošā elektrotīkla
- Firma SKIL garantē instrumenta nevainojamu darbību tikai tad, ja kopā ar to tiek lietoti oriģinālie firmas SKIL papildpiederumi
- Pirms darbinstrumenta iestiprināšanas ripzāgī pārbaudiet, vai tā pieļaujamais rotācijas ātrums nav mazāks par instrumenta darbvārpstas maksimālo griešanās ātrumu
- Nelietojiet ripzāgī, ja uz tā nav nostiprināti visi paredzētie asmens aizsargi
- Šo instrumentu nav atļauts lietot personām, kuras jaunākas par 16 gadiem
- Darba laikā instrumenta radītā trokšņa līmenis var pārsniegt 85 dB(A); lietojiet ausu aizsargus
- Ja darba laikā tiek caurdurts vai citādi mehāniski bojāts instrumenta elektrokabelis, nepieskarieties tam, bet nekavējoties atvienojiet elektrokabeļa kontaktdakšu no barojošā elektrotīkla
- Neizmantojiet instrumentu, kuram ir bojāts elektrokabelis; tā nomaīņu drīkst veikt tikai pieredzējis speciālists
- Pārlecinieties, ka spriegums, kas uzrādīts uz instrumenta marķējuma plāksnītes, atbilst maiņsprieguma vērtībai barojošajā elektrotīklā (instrumenti, uz kuru marķējuma plāksnītes ir uzrādīta sprieguma vērtība 230 V vai 240 V, var darboties arī pie elektrotīkla sprieguma 220 V)

- Šis ripzāgis nav paredzēts mitrai zāgēšanai
- Pēc ripzāga izslēgšanas nemēģiniet nobremzēt zāga asmeni, izdarot uz to spiedienu sānu virzienā
- Neiestipriniet ripzāgī asmeņus, kas izgatavoti no ātrgriezējērauda (HSS)
- Neiestipriniet ripzāgī slipēšanas vai griešanas diskus
- Neizmantojiet ripzāgī asbestu saturošu materiālu zāgēšanai
- Strādājot ar materiāliem, kuru apstrādes gaitā izdalās veselībai kaitīgi putekļi, uzvelciet no putekļiem aizsargājošu masku; pirms darba uzsākšanas izpētiet apstrādājamā materiāla īpašības
- Neizāģējiet ļoti mazu izmēru priekšmetus
- Pirms zāgēšanas nodrošiniet, lai zāgējuma trase no abām zāgējamā priekšmeta pusēm tiktu atbrīvota no jebkāda veida šķēršļiem
- Nestrādājiet ar ripzāgī, paceļot to virs galvas
- Lietojiet ripzāgim piemērotu zāgēšanas galdu, kurš ir apgādāts ar drošības slēdzi, kas pasargā instrumentu no patvaļīgas ieslēgšanās, atjaunojoties barojošā sprieguma padevei
- Lietojiet tikai tādu zāgēšanas galdu, kurš ir apgādāts ar šķēlējnazi
- **Pirms ripzāga apkopes, regulēšanas vai tā asmens nomaīņas atvienojiet instrumentu no barojošā elektrotīkla**

DARBS AR INSTRUMENTU

- Zāga asmens nomaīņa ③
 - izņemiet sešstūra stieņatslēgu A no ripzāga nodalījuma B
 - nospiediet instrumenta darbvārpstas fiksējošo pogu C un, turot to nospiestu, ar sešstūra stieņatslēgas palīdzību izskrūvējiet zāga asmens stiprinošo skrūvi D
- ! **instrumenta darbvārpstas fiksējošo pogu C drīkst nospiegt tikai tad, kad ripzāgis atrodas miera stāvoklī**
 - atlaidiet fiksējošo pogu C
 - noņemiet paplākšni E
 - lietojot sviru G, atveriet apakšējo asmens aizsargu F un, noturot to atvērtu, nomainiet zāga asmeni, sekojot, lai zāga asmens zobu vērsums un uz zāga asmens attēlotās bultas virziens sakristu ar bultas virzienu, kas attēlota uz ripzāga asmens apakšējā aizsarga
 - atbrīvojiet apakšējo asmens aizsargu F
 - novietojiet paplākšni E uz zāga asmens
- ! **nodrošiniet, lai abu paplākšņu noturvirsmas H būtu nevainojami tīras un tīras vērstas pret zāga asmeni**
 - nospiediet instrumenta darbvārpstas fiksējošo pogu C un, turot to nospiestu, ar pirkstiem pieskrūvējiet stiprinošo skrūvi un tad pievelciet to ar sešstūra stieņatslēgu par 1/8 no pilna apgrieziena (šādi tiek panākta paplākšņu noturvirsmu izslīdēšana gadījumā, ja iestrēgst zāga asmens, novēršot elektrodzinēja pārslodzi un iespējamo zāga atsitenu)
 - atlaidiet fiksējošo pogu C

- Zāģēšanas dziļuma iestādīšana (robežās no 0 līdz 55 mm) ④
 - lai nodrošinātu optimālu apstrādes kvalitāti, asmenim nebūtu jāiziet caur zāģējamo priekšmetu vairāk, kā par 3 mm
 - atbrīvojiet fiksējošo sviru J
 - paceļot/nolaižot zāģa pamatni K, iestādiet vēlamo zāģēšanas dziļumu atbilstoši indikatora L rādījumiem uz skalas
 - pievelciet fiksējošo sviru J
- Zāģēšanas leņķa iestādīšana (robežās no 0° līdz 45°) ⑤
 - nedaudz atskrūvējiet spārnskrūvi M
 - nolieciet ripzāģi sānu virzienā, uzstādiet vēlamo zāģēšanas leņķi atbilstoši indikatora N rādījumiem uz skalas
 - pievelciet spārnskrūvi M

! veidojot slīpos zāģējumus, zāģēšanas dziļums neatbilst indicētajai vērtībai uz zāģēšanas dziļuma skalas
- Zāģa asmens perpendikularitātes pārbaude attiecībā pret ripzāģa pamatni ⑤
 - iestādiet maksimālo zāģēšanas dziļumu un nofiksējiet ripzāģa pamatni K šādā stāvoklī ④
 - iestādiet zāģēšanas leņķi 0° un nofiksējiet ripzāģa pamatni
 - ar stūreņa palīdzību pārbaudiet zāģa asmens perpendikularitāti attiecībā pret ripzāģa pamatnes apakšējo virsmu
- Regulējams zāģējuma līnijas vizieris P ⑥a
 - kalpo, lai atvieglotu instrumenta vadīšanu pa iepriekš iezīmētu zāģējuma līniju
 - veidojot taisnos zāģējumus ar leņķi 0° un slīpos zāģējumus ar leņķi 45°, vadieties pēc atbilstošā zāģējuma līnijas viziera ierobežojuma

! zāģēšanas laikā ripzāģa pamatnes paplašinātajai daļai jāatrodas uz zāģējamā priekšmeta atbalstītās daļas

 - zāģējuma līnijas viziera stāvokli var regulēt, tādējādi ļaujot izvēlēties, vai apstrādājamā priekšmeta atgriezums atradīsies pie zāģa asmens iekšējās vai ārējās sānu plaknes ⑥b

! zāģējuma platumu nosaka nevis zāģa asmens korpusa biežums, bet gan tā zobu izvērsuma platums

! lai pārbaudītu reālās zāģējuma līnijas atbilstību iepriekš iezīmētajai, pirms darba vienmēr izdariet izmēģinājuma zāģējumus
- Putekļu uzsūkšana
 - pievienojiet putekļsūcēju instrumenta savienotājelementam Q ②

! darba laikā vadiet ripzāģi tā, lai putekļsūcēja caurule netraucētu apakšējā asmens aizsargu pārvietošanos vai zāģēšanas procesu

 - drīkst lietot arī putekļu savācējmaisu (firmas SKIL papildpiederums ar pasūtījuma numuru 2610387402)
- Darbs ar instrumentu ②
 - pievienojiet ripzāģa elektrokabeli barojošajam elektrotīklam
 - darba laikā stingri turiet ripzāģi ar abām rokām aiz rokturiem R un S

- uzsākot zāģēšanu, novietojiet ripzāģa pamatnes priekšējo daļu uz zāģējamā priekšmeta virsmas
- ! nodrošiniet, lai pirms ripzāģa ieslēgšanas asmens zobs nepiekartos zāģējamajam priekšmetam**
- ieslēdziet ripzāģi, vispirms nospiežot pogu T (= drošības slēdzis bez fiksācijas) un pēc tam nospiežot ieslēdzēja taustiņu V
- ! kontaktējiet ripzāģa asmeni ar zāģējamo priekšmetu tikai pēc tam, kad tā asmens griešanās ātrums ir sasniedzis nominālo vērtību**
- ripzāģa apakšējais asmens aizsargs F atveras automātiski, asmenim ieejot zāģējamajā priekšmetā (asmens aizsargs jāatver ar sviras G palīdzību tikai sevišķos gadījumos, piemēram, veicot zāģēšanu ar asmens iegremdēšanu)
- zāģēšanas laikā neizdariet uz ripzāģi pārāk lielu spiedienu; virziet instrumentu vienmērīgi, ar mērenu ātrumu
- pabeidzot zāģēšanu, izslēdziet ripzāģi, atbrīvojot ieslēdzēja taustiņu V
- ! pirms paceļat ripzāģi no zāģējamā priekšmeta, nogaidiet, līdz tā asmens pilnīgi apstājas**

PRAKTISKI PADOMI

- Lai novērstu zāģējamā priekšmeta virsmas plaisāšanu, jo ieteicams novietot tā, lai priekšmeta dekoratīvā puse (virspuse) būtu vērsta leļup
- Lietojiet tikai asus zāģa asmeņus, kuru tips atbilst zāģējamā materiāla īpašībām un apstrādes veidam ⑦
 - zāģējuma kvalitāti iespējams uzlabot, lietojot zāģa asmeni ar palielinātu zobu skaitu
 - zāģa asmeņi ar cietmetāla zobiem saglabā darbam nepieciešamo asumu līdz 30 reizēm ilgāk, nekā parastā tipa zāģa asmeņi
- Paralēlā vadotne W ⑧
 - paredzēta precīzu zāģējumu veidošanai paralēli zāģējamā priekšmeta malai
 - nostiprināma jebkurā instrumenta pusē

Paralēlās vadotnes stāvokļa regulēšana:

 - nedaudz atskrūvējiet spārnskrūvi X
 - ieregulējiet vēlamo zāģējuma attālumu no apstrādājamā priekšmeta malas, vadoties pēc paralēlās vadotnes skalas rādījumiem (izmantojiet zāģējuma līnijas vizieri P kā nulles atzīmi)
 - pievelciet spārnskrūvi X
- Zāģēšana ar asmens iegremdēšanu ⑨
 - iestādiet vēlamo zāģēšanas dziļumu
 - novietojiet zāģējuma līnijas viziera P ierobi pret iezīmēto zāģējuma līniju, nolieciet instrumentu garenvirzienā uz priekšu
 - ar sviras G palīdzību atveriet ripzāģa apakšējo asmens aizsargu F
 - ieslēdziet ripzāģi un tuviniet tā rotējošo asmeni zāģējamā priekšmeta virsmai, laižot leļup instrumenta aizmugurējo daļu un izmantojot tā priekšējo daļu kā atbalsta punktu
 - pakāpeniski iegremdējiet ripzāģa asmeni zāģējamajā priekšmetā un vienlaikus sāciet virzīt instrumentu uz priekšu zāģējuma virzienā

- ripzāga asmenim ieejot apstrādājamajā materiālā, atļaidiet sviru G
- ! **nekad nevelciet instrumentu atpakaļvirzienā**
- Liela izmēra panelu zāgēšana ⑩
- atbalstiet priekšmetu zāgējuma vietas tuvumā, novietojot to uz grīdas vai darbgalda
- ! **iestādiēt vēlamu zāgēšanas dziļumu ar tādu aprēķinu, lai asmens izietu cauri zāgējamajam priekšmetam, bet neskartu virsmu, uz kuras balstās apstrādājama priekšmets**
- gadījumā, ja taisna zāgējuma veidošanai nav iespējams izmantot paralēlo vadotni, pienaglojiet vai citādi nostipriniet uz zāgējamā priekšmeta virsmas plakanu koka līsti, ko zāgēšanas laikā izmantojiet kā vadotni, virzot gar to ripzāga pamatnes labo malu
- Papildu informācija par cita tipa darbinstrumentiem ir pieejama Internet datortīklā ar adresi www.skileurope.com

GARANTĪJA / APKĀRTĒJĀS VIDES AIZSARDZĪBA

- Uzturiet tīru instrumentu (īpaši ventilācijas atveres) un elektrokabeli
- ! **pirms instrumenta tīrīšanas atvienojiet to no elektrotīkla**
- Pēc ripzāga lietošanas nekavējoties attīriet tā asmeni (īpaši no sveķiem un līmes paliekām)
- Šim firmas SKIL izstrādājumam tiek sniegta ražotāja garantija saskaņā ar starptautiskajā un nacionālajā likumdošanā noteiktajām prasībām un noteikumiem; taču garantija neattiecas uz bojājumiem, kuru cēlonis ir instrumenta normāls nodilums, pārslodze vai nepareiza apiešanās ar to
- Rodoties pretenzijām, nogādājiet **izstrādājumu** kopā ar iegādes dokumentiem tuvākajā tirdzniecības vietā vai firmas SKIL pilnvarotā apkopes un remonta darbnīcā neizjauktā veidā (adreses un instrumenta apkalpošanas shēma tiek sniegta datortīklā Internet ar adresi www.skileurope.com)
- **Neizmetiet elektroiekārtas, piederumus un iesaiņojuma materiālus sadzīves atkritumos** (tikai ES valstīm)
 - saskaņā ar Eiropas Direktīvu 2002/96/EG par lietotajām elektroiekārtām, elektronikas iekārtām un tās iekļaušanu valsts likumdošanā lietotās elektroiekārtas ir jāsavāc atsevišķi un jānogādā otrreizējai pārstrādei videi draudzīgā veidā
 - Īpašs simbols ⑩ atgādina, ka no nolietotajiem izstrādājumiem jāatbrīvojas apkārtejai videi nekaitīgā veidā

Diskinis pjūklas

5855

ĪVADAS

- Šiuo prietaisu galima atlikti išilginius ir skersinius pjūvius medienoje, pjaunant statmenai arba 45° kampū; naudojant atitinkamos paskirties pjūklo diskus galima pjauti ir spalvotuosius metalus, lengvas statybines medžiagas ir plastiką
- Atidžiai perskaityę šią eksploatacijos instrukciją ir pridėdama saugos nuorodas jų neišmeskite, o pasidėkite Jums žinomoje vietoje

TECHNINĖS CHARAKTERISTIKOS ①

DARBO SAUGA

BENDROSIOS DARBO SAUGOS NUORODOS

DĖMESIO! Perskaitykite visas šias nuorodas. Jei nepaisysite toliau pateiktų nuorodų, gali kilti elektros smūgio, gaisro ir / arba sunkių sužalojimų pavojus. Toliau pateiktame tekste naudojama sąvoka 'Elektrinis įrankis' apibūdina įrankius, maitinamus iš elektros tinklo (su maitinimo laidu).

1) DARBO VIETA

- Darbo vieta turi būti švari ir tvarkinga.** Tinkama ir blogai apšviesta darbo vieta gali tapti nelaimingų atsitikimų priežastimi.
- Nedirbkite tokioje aplinkoje, kur yra degių skysčių, dujų ar dulkių.** Elektriniai įrankiai gali kibirkščiuoti, o nuo kibirkščių dulkės arba susikaupę garai gali užsidegti.
- Dirbdami su elektriniu įrankiu neleiskite šalia būti žiūrovams, vaikams ir lankytojams.** Nukreipę dėmesį į kitus asmenis galite nebesuvaldyti prietaiso.

2) ELEKTROSAUGA

- Maitinimo laido kištukas turi atitikti tinklo rozetės tipą.** Kištuko jokių būdu negalima modifikuoti. **Nenaudokite jokių kištuko adapterių su žemintais prietaisais.** Originalūs kištukai, tiksliai tinkantys elektros tinklo rozetei, sumažina elektros smūgio pavojų.
- Venkite kūno kontakto su žemintais paviršiais, tokiais kaip vamzdžiai, šildytuvai, viryklės ar šaldytuvai.** Egzistuoja padidinta elektros smūgio rizika, jei Jūsų kūnas bus žemintas.
- Saugokite prietaisą nuo lietaus ir drėgmės.** Jei vanduo patenka į elektrinį prietaisą, padidėja elektros smūgio rizika.
- Nenaudokite maitinimo laido ne pagal paskirtį, t. y. neneškite prietaiso paėmę už laido, nekabinkite prietaiso už laido, netraukite už jo, norėdami išjungti kištuką iš rozetės.** Laidą klokite taip, kad jo neveiktų karštis, jis neišsitemptų alyva ir jo nepažeistų aštrios detalės ar judančios prietaiso dalys. Pažeisti arba susipynę laidai gali tapti elektros smūgio priežastimi.
- Jei su elektriniu įrankiu dirbate lauke, naudokite tik tokius ilginimo kabelius, kurie tinka lauko darbams.** Naudojant lauko darbams pritaikytus ilginimo kabelius, sumažinamas elektros smūgio pavojus.

3) ŽMONIŲ SAUGA

a) **Būkite atidūs, sutelkite dėmesį į tai, ką Jūs darote ir dirbdami su elektriniu įrankiu, vadovaukitės sveiku protu. Nedirbkite su prietaisu, jei esate pavargę arba vartojate narkotikus, alkoholio ar medikamentus.**

Akimirkšnio neatidumas naudojant prietaisą gali tapti rimtų sužalojimų priežastimi.

b) **Naudokite asmenines apsaugos priemones ir visuomet užsidėkite apsauginius akinius.** Naudojant asmenines apsaugos priemones, pvz., respiratorių ar apsauginę kaukę, neslystantčius batus, apsauginį šalną, klausos apsaugos priemones ir kt., rekomenduojamas dirbant su tam tikros rūšies įrankiais, sumažėja rizika susižeisti.

c) **Saugokitės, kad neįjungtumėte prietaiso atsitiktinai. Prieš kišdami kištuką į elektros tinklo lizdą įsitikinkite, kad prietaisas yra išjungtas.** Jeiigu nešdami prietaisą pirštą laikysite ant jungiklio arba prietaisą įjungsite į elektros tinklą, kuomet jungiklis nėra išjungtas, tai gali tapti nelaimingo atsitikimo priežastimi.

d) **Prieš įjungdami prietaisą pašalinkite reguliavimo įrankius arba veržlių raktus.** Prietaiso besisukančioje dalyje esantis įrankis ar raktas gali tapti sužalojimų priežastimi.

e) **Nepervertinkite savo galimybių. Dirbdami atsistokite patikimai ir visada išlaikykite pusiausvyrą.** Patikima stovėseną ir tinkamą kūno laikyseną leis geriau kontroliuoti prietaisą netikėtose situacijose.

f) **Dėvėkite tinkamą aprangą. Nedėvėkite plačių drabužių ir papuošalų. Saugokite plaukus, drabužius ir pirštines nuo besisukančių prietaiso dalių.** Laisvus drabužius, papuošalus bei ilgus plaukus gali įtraukti besisukančios dalys.

g) **Jei yra numatyta galimybė prijungti dulkių nusiurbimo ar surinkimo įrenginius, visada įsitikinkite, ar jie yra prijungti ir ar teisingai naudojami.** Šių įrenginių naudojimas sumažina kenksmingą dulkių poveikį.

4) RŪPESTINGA ELEKTRINIŲ ĮRANKIŲ PRIEŽIŪRA IR NAUDOJIMAS

a) **Neperkraukite prietaiso. Naudokite Jūsų darbu tinkamą elektrinį įrankį.** Su tinkamu elektriniu įrankiu Jūs dirbsite geriau ir saugiau, jei neviršysite nurodyto galingumo.

b) **Nenaudokite elektrinio įrankio su sugedusiu jungikliu.** Elektrinis įrankis, kurio nebegalima įjungti ar išjungti, yra pavojingas ir jį reikia remontuoti.

c) **Prieš reguliuodami prietaisą, keisdami darbo įrankius ar prieš valydami prietaisą ištraukite kištuką iš elektros tinklo rozetės.** Ši saugumo priemonė apsaugos jus nuo netikėto prietaiso įsijungimo.

d) **Nenaudokiamą prietaisą sandėliuokite vaikams ir nemokantiems juo naudotis asmenims neprieinamoje vietoje.** Elektriniai įrankiai yra pavojingi, kai juos naudoja nepatyrę asmenys.

e) **Rūpestingai prižiūrėkite prietaisą. Tikrinkite, ar besisukančios prietaiso dalys tinkamai veikia ir niekur neklūva, ar nėra sulūžusių ar šiaip pažeistų dalių, kurios įtakotų prietaiso veikimą.** Prieš vėl naudojant prietaisą pažeistos prietaiso dalys turi būti suremontuotos. Daugelio nelaimingų atsitikimų priežastis yra blogai prižiūrimi elektriniai įrankiai.

f) **Pjovimo įrankiai turi būti aštrūs ir švarūs.** Rūpestingai prižiūrėti pjovimo įrankiai su aštriomis pjaunamosiomis briaunomis mažiau stringa ir juos yra lengviau valdyti.

g) **Elektrinį įrankį, papildomą įrangą, darbo įrankius ir t. t. naudokite taip, kaip nurodyta šioje instrukcijoje ir šiam konkrečiam prietaiso tipui taikomuose reikalavimuose. Taip pat atsižvelkite į darbo sąlygas bei atliekamo darbo pobūdį.** Naudojant elektrinius įrankius ne pagal jų paskirtį galima sukelti pavojingas situacijas.

5) APTARNAVIMAS

a) **Prietaisą turi remontuoti tik kvalifikuotas specialistas ir naudoti tik originalias atsargines dalis.** Taip galima garantuoti, jog prietaisas išliks saugus.

DARBŲ SAUGOS NUORODOS DIRBANTIEMS DISKINIAMS PJŪKLAIMS

PAVOJUS

- **Nekiškite rankų prie pjaunamos vietos ir prie pjūklo disko; jūsų antrąją ranką laikykite ant priekinės rankenos** (jei abiem rankom laikysite pjūklą, pjūklo diskas jų negalės sužeisti)
- **Nelieskite apdirbamo ruošinio apačios** (apsauginis gaubtas neapsaugos jūsų nuo ruošinio apačioje išlindusio pjūklo disko)
- **Pjovimo gylį tinkamai nustatykite pagal ruošinio storį** (ruošinio apačioje turi matytis šiek tiek mažiau, nei visas pjūklo dantis)
- **Pjaunamo ruošinio niekada nelaikykite rankose ar pasidėję ant kojos** (labai svarbu ruošinį tinkamai paremti, kad išlaikytumėte stabilią kūno padėtį, neužstrigtų pjūklo diskas ar neprarastumėte kontrolės)
- **Ten, kur besisukantis pjūklas galėtų kliudyti paslėptą laidą ar savo paties maitinimo laidą, laikykite prietaisą už izoliuotų rankenų** (dėl kontakto su laidininku, kurio teka elektros srovė, metalinėse prietaiso dalyse atsiranda įtampa ir naudotojas gali gauti elektros smūgį)
- **Atliekant išilginį pjūvį visada naudokite lygiagrečią atramą arba kreipiančiąją liniuotę** (tuomet pjausite tiksliau ir sumažinsite pjūklo strigimo tikimybę)
- **Pjūklo disko skylė turi būti reikiamo dydžio ir formos (rombo formos arba apvali)** (pjūklo diskai, kurie neatitinka pjūklo tvirtinimo detalių formos, sukasi ekscentriškai, todėl yra prarandama pjūvio kontrolė)
- **Niekada nenaudokite pažeistų ar netinkamų pjūklo disko tarpinių poveržlių ir varžtų** (pjūklo disko tarpinės poveržlės ir varžtai buvo sukonstruoti specialiai Jūsų pjūklui, kad būtų garantuotas optimalus rezultatas ir saugus darbas)

ATATRANKOS PRIEŽASTYS

- Atatranka yra staigi reakcija dėl įsprausito, užsikirtusio ar blogai nukreipto pjūklo disko, kuomet pjūklas nekontroluojamai iššoka iš ruošinio link naudotojo
- Jei pjūklo diskas yra per stipriai prispaudžiamas arba užspaudžiamas į apačią siaurėjančiame pjūvio plyšyje, jis sustoja, o veikiantis variklis tuomet staiga meta prietaisą atgal link naudotojo
- Jei pjaunant pjūklo diskas persikreipia ar yra neteisingai nukreipiamas, pjūklo disko užpakalinės briaunos dantys gali įsikabinti į medžio paviršius ir tuomet, pjūklo diskui išsilaisvinus iš plyšio, pjūklas atsoka naudotojo link

KAIP IŠVENGTI ATATRANKOS

Atatranka yra prietaiso netinkamo naudojimo ir/arba neteisingo valdymo ar naudojimo sąlygų rezultatas ir atitinkamos priemonės (žr. žemiau) leidžia jos išvengti

- **Pjūklą visada tvirtai suspauskite abiem rankom ir rankas laikykite tokioje padėtyje, kad galėtumėte įveikti atatranks jėgas; jūsų kūnas turėtų būti šalia pjūklo disko, bet jokių būdu ne vienoje linijoje su pjūklo disku** (dėl atatranks pjūklas galėtų atsoti atgal, bet naudotojas gali kontroliuoti atatranks jėgas, jei imsis atitinkamų priemonių)
- Jei pjūklo diskas užstringa arba jei dėl kokios nors priežasties pjovimo procesas yra nutraukiamas, išjunkite jungiklį ir pjūklą palikite ruošinyje, kol pjūklo diskas visiškai sustos; niekada nebandykite pjūklo disko ištraukti iš ruošinio ar pjūklą traukti atgal, kol pjūklo diskas dar sukasi, nes tai gali sąlygoti atatranką (patikrinkite tai ir imkitės priemonių pjūklo disko strigimo priežastims pašalinti; nepjunkite vinių ir varžtų)
- **Vėl įjungdami pjūklą ruošinyje, centruokite pjūklo diską pjūvio plyšyje ir patikrinkite, ar pjūklo dantys nėra įsikabinę į ruošinį** (jei pjūklo diskas stringa, vėl įjungus pjūklą, jis gali iškilti į viršų arba gali atsirasti atatranka)
- **Norėdami minimizuoti pjūklo disko užsikirtimą ar atatranks galimybę, dideles plokštės paremkite** (didelės plokštės dėl savo svorio išlinksta; plokštė turi būti atremta iš abiejų pusių, t.y. šalia pjovimo linijos ir šalia plokštės krašto)
- **Nenaudokite neaštrių ir pažeistų pjūklo diskų** (neaštrūs ar blogai praskėsti pjūklo dantys palieka siauresnį pjovimo taką, todėl atsiranda per didelė trintis, atatranka, stringa pjūklo diskas)
- **Apsauginė rankenėlė, kuria reguliuojamas pjovimo gylis ir pjūklo disko posvirio kampas, prieš pjaunant turi būti tvirtai ir patikimai užveržta** (jei pjaunant keičiasi pjūklo disko padėtis, tai gali sąlygoti įstrigimą ir atatranką)
- **Darydami įpjuovus sienose ar kituose nepermatomuose paviršiuose elkitės ypač atsargiai** (išsikūsančio pjūklo diskas pjaunant gali paliesti atatranką sukeliančius objektus)

DĖMESIO

- **Prieš kiekvieną naudojimą patikrinkite, ar apatinis apsauginis gaubtas tinkamai užsidaro**
- **Nenaudokite pjūklo, jei apatinis apsauginis gaubtas negali laisvai judėti ir tuojau neužsidaro**

- **Niekuomet nebandykite užfiksuoti apatinio apsauginio gaubto atidarytoje padėtyje ką nors ten įsprausdami ar jį pririšdami**
- Jei pjūklas netyčia nukrenta, dėl to gali įlinkti apatinis apsauginis gaubtas; naudodami pakėlimo rankeną atidarykite jį ir įsitinkinkite, kad jis juda laisvai ir neličia nei pjūklo disko, nei kurios nors kitos kokios dalies, kreipiant pjūklą įvairiais kampais ir nustatant įvairų pjovimo gylį
- **Patikrinkite apatinio apsauginio gaubto spyruoklių veikimą; jei apatinis apsauginis gaubtas ir spyruoklės veikia netinkamai, prieš naudojimą jiems reikia atlikti techninę profilaktiką** (dėl pažeistų dalių, lipnių nuosėdų arba susikaupusių nešvarumų apatinis gaubtas gali sunkiau judėti)
- **Apatinį apsauginį gaubtą rankiniu būdu atidaryti galima tik atliekant specialius pjūvius, pvz., panardinant pjūklą ruošinio viduryje; apatinį apsauginį gaubtą pakelkite rankenėle, ir, kai tik pjūklo diskas sulįs į ruošinį, paleiskite apatinį apsauginį gaubtą** (atliekant kitus pjovimo darbus apatinis apsauginis gaubtas atsidaro ir užsidaro savaime)
- **Prieš padėdami pjūklą ant pjovimo stalo ar ant grindų visada įsitinkinkite, kad apatinis apsauginis gaubtas apgaubia pjūklo diską** (jei apsauginis gaubtas neužsidaro, dėl besisukančio pjūklo disko pjūklas gali judėti atgal ir pjauti viską, kas pasitaiko jo kelyje; turėkite omenyje, kad atleidus jungiklį turi praėti šiek tiek laiko, kol pjūklo diskas visiškai sustoja)
- Saugokitės, kad nepažeistumėte prietaiso į ruošinyje esančius varžtus, vinius ir pan.; prieš pjudami juos pašalinkite
- Prieš padėdami prietaisą jį išjunkite ir palaukite, kol visos besisukančios jo dalys galutinai sustos
- Naudodami ilginimo kabelius atkreipkite dėmesį, kad kabelis būtų iki galo išvyniotas ir būtų pritaikytas 16 A el. srovei
- Jeigu pjūklas užsiblokavo arba pajutote, kad prietaisas veikia ne taip, kaip visada, arba girdisi nebūdingi garsai, tuojau pat jį išjunkite ir ištraukite kištuką iš elektros tinklo lizdo
- SKIL gali garantuoti nepriklaištingą prietaiso veikimą tik tuo atveju, jei yra naudojama originali papildoma įranga
- Naudokite tokią papildomą įrangą, kurios leistinas apsisukimų skaičius per minutę yra ne mažesnis, nei maksimalus leistinas Jūsų prietaiso apsisukimų skaičius laisvąja eiga
- Niekuomet nenaudokite prietaiso be originalios apsauginės įrangos
- Asmenims, jaunesniems nei 16 metų, prietaisu naudotis draudžiama
- Dirbant šio prietaiso keliamo triukšmo lygis gali viršyti 85 dB(A); naudokite klausos apsaugos nuo triukšmo priemonės
- Jei dirbant bus pažeistas ar nutrauktas kabelis, būtina neličiant kabelio tuojau pat ištraukti kištuką iš el. tinklo lizdo
- Prietaisą su pažeistu kabeliu naudoti draudžiama; jį turi pakeisti kvalifikuotas elektrikas

- Visada patikrinkite, ar elektros tinklo įtampa atitinka prietaiso firminėje lentelėje nurodytą įtampą (prietaisus su nurodyta įtampa 230 V ir 240 V galima jungti į 220 V įtamos elektros tinklą)
- Šis prietaisas netinka pjovimui šlapiuoju būdu
- Išjungus pjūklą, negalima stabdyti besisukančio disko šoniniu prispaudimu
- Neleidžiama naudoti diskų iš aukštai legiruoto greitapjovio plieno (HSS)
- Nenaudokite abrazyvinių pjovimo diskų dirbdami su šiuo prietaisu
- Draudžiama apdirbti asbesto turinčias medžiagas
- Apdirbdami medžiagas, sukeliančias pavojingas dulkes, dėvėkite respiratorių; prieš pradėdami apdirbti medžiagą, susipažinkite su informacija apie jos sudėtį, naudojimą bei apdirbimo būdus
- Nemėginkite pjauti labai mažų ruošinių
- Prieš pradėdami pjauti pašalinkite visas pjūvio linijoje esančias kliūtis tiek ruošinio viršuje, tiek ir apačioje
- Nedirbkite su prietaisu iškėlę jį virš galvos
- Naudokite tik tokį pjovimo stalą, kuris aprūpintas jungikliu, apsaugančiu nuo netikėto pakartotino įsijungimo tuo atveju, kai nutrūksta ir vėl atsiranda elektros srovė
- Naudokite tik pjovimo stalą su integruotu skeliančiuoju peiliu
- **Prieš reguliuodami prietaisą arba keisdami priedus būtina ištraukite kištuką iš elektros tinklo lizdo**

PRIETAISO NAUDOJIMAS

- Pjūklo disko pakeitimas ③
 - iš lizdo B atraminėje plokštėje išimkite šešiabriaunį raktą A
 - suklio blokavimo mygtuką C paspauskite ir laikykite, kol šešiabriauniu raktu išsuksite disko prispaudimo varžtą D
- ! **suklio blokavimo mygtuką C spauskite tik prietaisui sustojus**
 - atleiskite suklio blokavimo mygtuką C
 - nuimkite flanšą E
 - rankenėle G atidarykite apatinį apsauginį gaubtą F ir laikykite atidarytą, kol akeisite pjūklo diską; žiūrėkite, kad rodyklių, esančių ant pjūklo disko ir ant pjūklo apatinio apsauginio gaubto, kryptys sutaptų
 - uždarykite apatinį apsauginį gaubtą F
 - uždėkite flanšą E
- ! **pasirūpinkite, kad flanšo prispaudimo plokštumos H būtų visiškai švarios ir būtų nukreiptos į pjūklo disko pusę**
 - suklio blokavimo mygtuką C paspauskite ir laikykite, kol šešiabriauniu raktu užversite disko prispaudimo varžtą iki galo, o po to atsukite jį per 1/8 apsisukimo (užtikrina disko praslydimą, pjūklo dantims sutikus didelį pasipriešinimą; taip sumažėja variklio perkrova ir atatrakos pavojus)
 - atleiskite suklio blokavimo mygtuką C
- Pjovimo gylio reguliavimas (0-55 mm) ④
 - optimali pjovimo kokybė pasiekama tuomet, kai pjūklo diskas išsikiša ruošinio apačioje ne daugiau kaip per 3 mm

- atlaisvinti įveržimo svirtelę J
- kojelę K pakelti arba nuleisti žemyn, pagal žymę L skalėje nustatyti norimą pjovimo gylį
- vėl užveržti svirtelę J
- Pjovimo kampo nustatymas (0-45°) ⑤
 - atlaisvinkite rankenėlę M
 - prietaisą paverskite norimu kampu, orientuodamiesi pagal žymeklio N padėtį skalėje
 - vėl užveržkite rankenėlę M
- ! **atliekant įstrižus pjūvius, pavertus pjūklo diską kampu, gylio skalėje pažymėtos padalos neatitinka tikrojo pjovimo gylio**
- 90° kampo patikrinimas ⑤
 - kojelę K nustatyti į maksimalaus pjovimo gylio padėtį ir užfiksuoti ④
 - pjovimo kampą nustatyti ties 0° padala ir užfiksuoti
 - kampaniu patikrinkite, ar yra 90° kampas tarp pjūklo disko ir atraminės plokštės apatinės plokštumos
- Reguluojama pjūvio linijos žymė P ⑥a
 - padeda tiksliai vesti prietaisą pagal ant ruošinio užbrėžtą liniją
 - tiesiam 0° arba įstrižam 45° pjūviui reikia naudoti atitinkamą žymeklio liniją
- ! **didesnė atraminės plokštumos dalis turi gulti ant paremtos ruošinio dalies**
 - galima pasirinktinai nustatyti, ar atpjauta nereikalinga ruošinio dalis bus disko išorinėje ar vidinėje pusėje ⑥b
- ! **pjūvio plotis priklauso nuo pjūvlio dangų tako pločio, o ne nuo disko storio**
- ! **norėdami sužinoti tikrąją pjūvio liniją, visuomet pirmiausiai atlikite bandomąjį pjūvį**
- Dulkių nusiurbimas
 - užmaukite nusiurbimo žarną ant adapterio Q ②
- ! **pasirūpinkite, kad nusiurbimo žarna nesudarytų kliūtis apatiniam apsauginiam gaubtui ir netrukdytų dirbti**
 - galima naudoti taip pat dulkių maišelį (SKIL papildoma įranga 2610387402)
- Prietaiso valdymas ②
 - Įjunkite kištuką į el. tinklo rozetę
 - visuomet laikykite viena ranka suėmę rankeną R, o kita – rankeną S
 - uždėkite prietaisą atraminės plokštės priekine dalimi ant ruošinio
- ! **žiūrėkite, kad pjūklo dantys nesiremtų į ruošinį**
- Įjunkite prietaisą, pirmiausiai nykščiu nuspausdami mygtuką T (apsauginis jungiklis, kurio negalima užfiksuoti), o po to nuspausdami jungiklį V
- ! **pjūklo diskas pirmiausia turi pilnai įsibėgėti, tik po to jį galima glausti prie ruošinio**
- apatinis apsauginis gaubtas F atsidaro savaime, kuomet pjūklo diskas pjaunant sulenda į ruošinį (apatinį apsauginį gaubtą rankiniu būdu atidaryti galima tik atliekant specialius pjūvius, pvz., panardinant pjūklą ruošinio viduryje; atidarymui naudoti rankenėlę G)
- stenkitės neperkrauti prietaiso, pjaudami stenkitės jį tolygiai stumti nedidele jėga
- užbaigę pjūvį, išjunkite prietaisą, atleisdami jungiklį V
- ! **prieš atitraukdami pjūklą nuo ruošinio įsitinkinkite, kad pjūklo diskas visiškai sustojų**

DARBO NUORODOS

- Visuomet guldykite ruošinį gerąja puse į apačią, taip bus žymiai mažiau atplaišų
 - Naudokite tik aštirus, tinkamos rūšies pjūklo diskus ⑦
 - geresnė pjūvio kokybė gaunama naudojant pjūklo diskus su didesniu dantų skaičiumi
 - pjūklo diskai su kietlydinio plokštelėmis tarnauja iki 30 kartų ilgiau, nei įprastiniai pjūklo diskai
 - Lygiagrečiai atrama W ⑧
 - skirta tiksliems lygiagrečiams pjūviams pagal ruošinio kraštą
 - galima iš abiejų pusių įstatyti į atraminę plokštę Lygiagrečios atramos nustatymas
 - atlaisvinti rankenėlę X
 - nustatyti norimą pjovimo plotį, naudojant lygiagrečią atramą (bei orientuojantis pagal pjūvio linijos žymę P)
 - vėl priveržti rankenėlę X
 - Įpjovos ruošinio viduryje, panardinant pjūklą ⑨
 - nustatykite norimą pjovimo gylį
 - pjūklą paverskite į priekį, pjūvio linijos žymę P nutaikykite pagal ant ruošinio užbrėžtą liniją
 - rankenėle G atidarykite apatinį apsauginį gaubtą F
 - prieš pat pjūklo dantims prisiliečiant prie ruošinio įjunkite pjūklą ir, iš lėto nuleisdami galinę prietaiso dalį, įpjaukite ruošinį; priekinė atraminės plokštės dalis visą tą laiką turi būti atremta į ruošinį ir tarnauti kaip atramos taškas
 - lėtai įleidę pjūklo diską į ruošinį, po truputį pjūklą stumkite ir į priekį
 - kuomet atraminė plokštė visiškai priglus prie ruošinio, paleiskite rankenėlę G
 - ! **jokiu būdu netraukti pjūklo atgal**
 - Didelių plokščių pjaustymas ⑩
 - plokštę atremkite netoli pjūvio linijos, paguldę ją ant grindų, stalo ar varstoto
 - ! **įpjovimo gylį nustatykite taip, kad perpjautumėte tik plokštę, bet neįpjautumėte atramos, ant kurios ji guli**
 - jei lygiagrečios atramos nepakanka norimam pjovimo pločiui nustatyti, prie ruošinio pritvirtinkite tiesią medinę juostelę, kurią panaudokite kaip kreipiančiąją liniuotę; priglauskite prie jos dešinią atraminės plokštės kraštą ir stumkite prietaisą išilgai šios liniuotės
- Daugiau naudingų patarimų rasite www.skileurope.com

GARANTIJA / APLINKOS APSAUGA

- Periodiškai valykite prietaisą ir kabelį (ypač ventiliacines angas)
 - ! **prieš valydami prietaisą ištraukite kištuką iš elektros tinklo lizdo**
- Po pjovimo iš karto nuvalykite pjūklo diską (ypač nuo dervų bei lakų liekanų)
- Šiam SKIL gaminiui mes suteikiame garantiją pagal galiojančius įstatymus; gedimams, kurie atsirado dėl natūralaus susidėvėjimo, perkrovų arba netinkamo naudojimo, garantijos negalioja

- Pretenzijos atveju neišardytą prietaisą kartu su pirkimo čekiu siųskite tiekėjui arba į artimiausią SKIL firmos įgaliotą elektros prietaisų techninio aptarnavimo tarnybą (adresus bei atsarginių dalių brėžinius rasite interneto puslapyje www.skileurope.com)
- **Nemeskite elektrinių įrankių, papildomos įrangos ir pakuotės į buitinių atliekų kontenerius** (galioja tik ES valstybėms)
 - pagal ES Direktyvą 2002/96/EG dėl naudotų elektrinių ir elektroninių prietaisų atliekų utilizavimo ir pagal vietinius valstybės įstatymus atitarnavę elektriniai įrankiai turi būti surenkami atskirai ir gabenami į antrinių žaliavų tvarkymo vietas, kur jie turi būti sunaikinami ar perdirbami aplinkai nekenksmingu būdu
 - apie tai primins simbolis ⑪, kai reikės išmesti atitarnavusį prietaisą



GB	<p>CE DECLARATION OF CONFORMITY We declare under our sole responsibility that this product is in conformity with the following standards or standardized documents: EN 60 745, EN 55 014, in accordance with the provisions of the directives 73/23/EC, 89/336/EC, 98/37/EC.</p> <p>NOISE/VIBRATION Measured in accordance with EN 60 745 the sound pressure level of this tool is 94 dB(A) and the sound power level 105 dB(A) (standard deviation: 3 dB), and the vibration < 2,5 m/s² (hand-arm method).</p>
F	<p>CE DÉCLARATION DE CONFORMITÉ Nous déclarons sous notre propre responsabilité que ce produit est en conformité avec les normes ou documents normalisés suivants: EN 60 745, EN 55 014, conforme aux réglementations 73/23/EC, 89/336/EC, 98/37/EC.</p> <p>BRUIT/VIBRATION Mesuré selon EN 60 745 le niveau de la pression sonore de cet outil est 94 dB(A) et le niveau de la puissance sonore 105 dB(A) (déviatıon standard: 3 dB), et la vibration < 2,5 m/s² (méthode main-bras).</p>
D	<p>CE KONFORMITÄTSEKTLÄRUNG Wir erklären in alleiniger Verantwortung, daß dieses Produkt mit den folgenden Normen oder normativen Dokumenten übereinstimmt: EN 60 745, EN 55 014, gemäß den Bestimmungen der Richtlinien 73/23/EG, 89/336/EG, 98/37/EG.</p> <p>GERÄUSCH/VIBRATION Gemessen gemäß EN 60 745 beträgt der Schalldruckpegel dieses Gerätes 94 dB(A) und der Schalleistungspegel 105 dB(A) (Standard- abweichung: 3 dB), und die Vibration < 2,5 m/s² (Hand-Arm Methode).</p>
NL	<p>CE CONFORMITEITSVERKLARING Wij verklaren, dat dit product voldoet aan de volgende normen of normatieve documenten: EN 60 745, EN 55 014, overeenkomstig de bepalingen van de richtlijnen 73/23/EG, 89/336/EG, 98/37/EG.</p> <p>GELUID/VIBRATIE Gemeten volgens EN 60 745 bedraagt het geluidsdrkniveau van deze machine 94 dB(A) en het geluidsvormogen-niveau 105 dB(A) (standaard deviatie: 3 dB), en de vibratie < 2,5 m/s² (hand-arm methode).</p>
S	<p>CE KONFORMITETS FÖRKLARING Vi intygar och ansvarar för, att denna produkt överensstämmer med följande norm och dokument: EN 60 745, EN 55 014, enl. bestämmelser och riktlinjerna 73/23/EG, 89/336/EG, 98/37/EG.</p> <p>LJUD/VIBRATION Ljudtrycksnivån som uppmätts enligt EN 60 745 är på denna maskin 94 dB(A) och ljudeffektnivån 105 dB(A) (standard deviation: 3 dB), och vibration < 2,5 m/s² (hand-arm metod).</p>
DK	<p>CE KONFORMITETSEKTLÆRING Vi erklærer under almindeligt ansvar, at dette produkt er i overensstemmelse med følgende normer eller normative dokumenter: EN 60 745, EN 55 014, i henhold til bestemmelserne i direktiverne 73/23/EF, 89/336/EF, 98/37/EF.</p> <p>STØJ/VIBRATION Måles efter EN 60 745 er lydtrykniveau af dette værktøj 94 dB(A) og lydteffektniveau 105 dB(A) (standard deviation: 3 dB), og vibrationsniveauet < 2,5 m/s² (hånd-arm metoden).</p>
N	<p>CE SAMSVARERKLÆRING Vi erklærer at det er under vårt ansvar at dette produkt er i samsvar med følgende standarder eller standard- dokumenter: EN 60 745, EN 55 014, i samsvar med reguleringer 73/23/EF, 89/336/EF, 98/37/EF.</p> <p>STØY/VIBRASJON Målt ifølge EN 60 745 er lydtryknivået av dette verktøyet 94 dB(A) og lydstyrkenivået 105 dB(A) (standard deviasjon: 3 dB), og vibrasjonsnivået < 2,5 m/s² (hånd-arm metode).</p>
FIN	<p>CE TODISTUS STANDARDINMUKAISUUEDESTA Todistamme täten ja vastaamme yksin siitä, että nämä tuote en allalueteltujen standardien ja standardoimisasiakirjojen vaatimusten mukainen EN 60 745, EN 55 014, seuraavien sääntöjen mukaisesti 73/23/ETY, 89/336/ETY, 98/37/ETY.</p> <p>MELU/TÄRINÄ Mitattuna EN 60 745 mukaan työkalun melutaso on 94 dB(A) ja yleensä työkalun äänen voimakkuus on 105 dB(A) (keskihajonta: 3 dB), ja värinäin voimakkuus < 2,5 m/s² (käsi-käsivarsi metodi).</p>
E	<p>CE DECLARACION DE CONFORMIDAD Declaramos bajo nuestra sola responsabilidad que este producto está en conformidad con las normas o documentos normalizados siguientes: EN 60 745, EN 55 014, de acuerdo con las regulaciones 73/23/CE, 89/336/CE, 98/37/CE.</p> <p>RUIDOS/VIBRACIONES Medido según EN 60 745 el nivel de la presión acústica de esta herramienta se eleva a 94 dB(A) y el nivel de la potencia acústica 105 dB(A) (desviación estándar: 3 dB), y la vibración a < 2,5 m/s² (método brazo-mano).</p>
P	<p>CE DECLARAÇÃO DE CONFIRMIDADE Declaramos sob nossa exclusiva responsabilidade que este produto cumpre as seguintes normas ou documentos normativos: EN 60 745, EN 55 014, conforme as disposições das diretivas 73/23/CE, 89/336/CE, 98/37/CE.</p> <p>RUIDO/VIBRAÇÕES Medido segundo EN 60 745 o nível de pressão acústica desta ferramenta é 94 dB(A) e o nível de potência acústica 105 dB(A) (espaço de erro: 3 dB), e a vibração < 2,5 m/s² (método braço-mão).</p>
I	<p>CE DICHIARAZIONE DI CONFORMITÀ Dichiaramo, assumendo la piena responsabilità di tale dichiarazione, che il prodotto è conforme alle seguenti normative e ai relativi documenti: EN 60 745, EN 55 014 in base alle prescrizioni delle direttive CE 73/23, CE 89/336, CE 98/37.</p> <p>RUMOROSITÀ/VIBRAZIONE Misurato in conformità al EN 60 745 il livello di pressione acustica di questo utensile è 94 dB(A) ed il livello di potenza acustica 105 dB(A) (deviazione standard: 3 dB), e la vibrazione < 2,5 m/s² (metodo mano-braccio).</p>
H	<p>CE MINŐSÉGI TANUSÍTVÁNY Teljes felelősségünk tudatában kijelentjük, hogy jelen termék a következő szabványoknak vagy kötelező hatóságı előírásoknak megfelel: EN 60 745, EN 55 014, a 73/23/EK, 89/336/EK, 98/37/EK előírásoknak megfelelően.</p> <p>ZAJ/REZGÉS Az EN 60 745 alapján végzett mérések szerint ezen készülék hangnyomás szintje 94 dB(A) a hangteljesítmény szintje 105 dB(A) (normál eltérés: 3 dB), a kézre ható rezgésszám < 2,5 m/s².</p>
CZ	<p>CE STRVŽUJÍCÍ PROHLÁŠENÍ Potvrzujeme na odpovědnost, že tento výrobek odpovídá následujícím normám nebo normativním podkladům: EN 60 745, EN 55 014, podle ustanovení směrnice 73/23/EG, 89/336/EG, 98/37/EG.</p> <p>HLUČNOSTI/VIBRACÍ Měřeno podle EN 60 745 činí tlak hlukové vlny tohoto přístroje 94 dB(A) a dávka hlučnosti 105 dB(A) (standardní odchylka: 3 dB), a vibrací < 2,5 m/s² (metoda ruka-paže).</p>
TR	<p>CE STANDARĐIZASYON BEYANI Yeđane sorumlu olarak, bu ürünün aşıđıdaki standartlara veya standart belgelerine uygun olduđunu beyan ederiz: EN 60 745, EN 55 014, yönetmeliki hükümleri uyarınca 73/23/EC, 89/336/EC, 98/37/EC.</p> <p>GÜRÜLTÜ/TİTREŞİM Ölçülen EN 60 745 göre ses basıncı bu makinanın seviyesi 94 dB(A) ve çalışma sırasındaki gürültü 105 dB(A) (standart sapma: 3 dB), ve titreşim < 2,5 m/s² (el-kol metodu).</p>

PL	OŚWIADCZENIE ZGODNOŚCI CE Niniejszym oświadczamy ponosząc osobistą odpowiedzialność, że produkt wykonany jest zgodnie z następującymi normami i dokumentami normalizującymi: EN 60 745, EN 55 014, z godnie z wytycznymi 73/23/WE, 89/336/WE, 98/37/WE. HALASU/WIBRACJE Pomiarów dokonano zgodnie z normą EN 60 745 ciśnienie akustyczne narzędzia wynosi 94 dB(A) zaś poziom mocy akustycznej 105 dB(A) (poziom odchylenie: 3 dB), zaś wibracje < 2,5 m/s ² (metoda dłoń-ręka).
RU	ЗАЯВЛЕНИЕ О СООТВЕТСТВИИ Мы с полной ответственностью заявляем, что это изделие соответствует следующим стандартам или стандартизованным документам: EN 60 745, EN 55 014, в соответствии с инструкциями 73/23/ЕС, 89/336/ЕС, 98/37/ЕС. ШУМНОСТИ/ВИБРАЦИИ При измерении в соответствии со стандартом EN 60 745 уровень звукового давления для этого инструмента составляет 94 дБ (А) и уровень звуковой мощности - 105 дБ (А) (стандартное отклонение: 3 дБ), и вибрации < 2,5 м/с ² (по методу для рук).
UA	СЕ ВІДПОВІДНІСТЬ Ми заявляємо, що відповідність даного продукту наступним стандартам і регулюючим документам повністю нашою відповідальністю: EN 60 745, EN 55 014, відповідно до положень директив 73/23/ЄС, 89/336/ЄС, 98/37/ЄС. ШУМ/ВІБРАЦІЯ Зміряний відповідно до EN 60 745 рівень тиску звуку даного інструменту 94 дБ(А) і потужність звуку 105 дБ(А) (стандартне відхилення: 3 дБ), і вібрація < 2,5 м/с ² (ручна методика).
GR	СΕ ΔΗΛΩΣΗ ΣΥΜΒΑΤΟΤΗΤΑΣ Δηλούμε υπευθύνως ότι το προϊόν αυτό είναι κατασκευασμένο σύμφωνα με τους εξής κανονισμούς ή κατασκευαστικές συστάσεις: EN 60 745, EN 55 014, κατά τις διατάξεις των κανονισμών της Κοιτης Αγοράς 73/23/ΕΚ, 89/336/ΕΚ, 98/37/ΕΚ. ΦΘΥΒΟ/ΚΡΑΔΑΣΜΟΥΣ Μετρημένη σύμφωνα με EN 60 745 η στάθμη ακουστικής πίεσης αυτού του εργαλείου ανέρχεται σε 94 dB(A) και η στάθμη ηχητικής ισχύος σε 105 dB(A) (κοινή απόκλιση: 3 dB), και ο κραδασμός σε < 2,5 m/s ² (μέθοδος χειρός/χρoαίονα).
RO	DECLARAȚIE DE CONFORMITATE CE Declarăm pe proprie răspundere că acest product este conform cu următoarele standarde sau documente standardizate: EN 60 745, EN 55 014, în conformitate cu regulile 73/23/EC, 89/336/EC, 98/37/EC. ZGOMOT/VIBRAȚII Măsurat în conformitate cu EN 60 745 nivelul de presiune a sunetului generat de acest instrument este de 94 dB(A) iar nivelul de putere a sunetului 105 dB(A) (abaterea standard: 3 dB), iar nivelul vibrațiilor < 2,5 m/s ² (metoda mână - brat).
BG	СЕ ДЕКЛАРАЦИЯ ЗА СЪОТВЕТСТВИЕ Декларираме на изцяло наша отговорност, че това изделие е съобразено със следните стандарти или стандартизирани документи: EN 60 745, EN 55 014, в съответствие с нормативната уредба на 73/23/EG, 89/336/EG, 98/37/EG. ШУМ/ВИБРАЦИИ Измерено в съответствие с EN 60 745 нивото на звукова налягане на този инструмент е 94 dB(A) а нивото на звукова мощност е 105 dB(A) (стандартно отклонение: 3 dB), а вибрациите са < 2,5 m/s ² (метод ръка-рамо).
SK	СЕ PREHLÁSENIE O ZHODE Výhradne na našu vlastnú zodpovednosť prehlasujeme, že tento výrobok zodpovedá nasledujúcim normám alebo normovaným dokumentom: EN 60 745, EN 55 014, v súlade s predpismi 73/23/EC, 89/336/EC, 98/37/EC. HLUKU/VIBRÁCIACH Merané podľa EN 60 745 je úroveň akustického tlaku tohto nástroja 94 dB(A) a úroveň akustického výkonu je 105 dB(A) (štandardná odchýlka: 3 dB), a vibrácie sú < 2,5 m/s ² (metóda ruka - pažba).
HR	СЕ ИЗЈАВА О УСКЛАЂЕНОСТИ Izjavljujemo uz punu odgovornost da je ovaj proizvod usklađen sa slijedećim normama i normativnim dokumentima: EN 60 745, EN 55 014, prema odredbama smjernica 73/23/EG, 89/336/EG, 98/37/EG. BUČU/VIBRACIJAMA Mjerenom prema EN 60 745, prag zvučnog tlaka ovog električnog alata iznosi 94 dB(A) a jakost zvuka 105 dB(A) (standardna devijacija: 3 dB), a vibracija < 2,5 m/s ² (postupkom na šaci-ruči).
SCG	СЕ ИЗЈАВА О УСКЛАЂЕНОСТИ Pod punom odgovornošću izjavljujemo da je ovaj proizvod usklađen sa sledećim standardima ili standardizovanim dokumentima: EN 60 745, EN 55 014, u skladu sa odredbama smernica 73/23/EG, 89/336/EG, 98/37/EG. BUKA/VIBRACIJE Mereno u skladu sa EN 60 745, nivo pritiska zvuka ovog alata iznosi 94 dB(A), a jačina zvuka 105 dB(A) (normalno odstupanje: 3 dB), a vibracija < 2,5 m/s ² (mereno metodom na šaci-ruči).
SLO	IZJAVA O USTREZNOSTI CE Odgovorno izjavljamo, da je ta izdelek v skladu z naslednjimi standardi ali standardnimi dokumenti: EN 60 745, EN 55 014, v skladu s predpisi navodil 73/23/EG, 89/336/EG, 98/37/EG. HRUP/VIBRACIJA Izmerjeno v skladu s predpisom EN 60 745 je raven zvočnega pritiska za to orodje 94 dB(A) in jakosti zvoka 105 dB(A) (standarden odmik: 3 dB), in vibracija < 2,5 m/s ² (metoda 'dlan-roka').
EST	СЕ VASTAVUSDEKLARATSIOON Kinnitame ainuvastutajana, et see toode vastab järgmistele standarditele või normdokumentidele: EN 60 745, EN 55 014 vastavalt direktiivide 73/23/EÜ, 89/336/EÜ, 98/37/EÜ nõuetele. MÜRA/VIBRATSIOON Vastavalt kooskõlas normiga EN 60 745 läbi viidud mõõtmistele on antud seadme heliõhkk 94 dB(A) ja helitugevus 105 dB(A) (standardkõrvalekalle: 3 dB), ja vibratsioon < 2,5 m/s ² (käe-randme-meetod).
LV	СЕ ДЕКЛАРАЦИЈА ПАР АТБИЛСТІБУ СТАНДАРТИЕМ Mēs ar pilnu atbildību paziņojam, ka šis izstrādājums atbilst standartiem vai standartizācijas dokumentiem EN 60 745, EN 55 014 un ir saskaņā ar direktīvām 73/23/EG, 89/336/EG, 98/37/EG. TROKSNIS/VIBRĀCIJA Saskaņā ar standartu EN 60 745 noteiktās instrumenta radītā trokšņa skaņas spiediena līmenis ir 94 dB(A) un skaņas jaudas līmenis ir 105 dB (A) (pie tipiskās izkliedes: 3 dB), un vibrācijas intensitāte ir < 2,5 m/s ² (strādājot rokas režīmā).
LT	СЕ КОКЫБЕС АТТИКТИЕС ДЕКЛАРАЦИЈА Mes atsakingai pareiškiame, kad šis gaminyis atitinka tokius standartus ir normatyvinius dokumentus: EN 60 745, EN 55 014 pagal EEB reglamentų 73/23/EG, 89/336/EG, 98/37/EG nuostatas. TRIUKŠMINGUMAS/VIBRACIJA Šio prietaiso triukšmingumas buvo išmatuotas pagal EN 60 745 reikalavimus keliamo triukšmo garso slėgio lygis siekia 94 dB(A) ir akustinio galingumo lygis 105 dB(A) (standartinis nuokrypis: 3 dB), ir vibracijos pagreitimo rankos plaštakos srityje tipiniu atveju yra mažesnis, kaip < 2,5 m/s ² .

